

• 1N4614UR-1 THRU 1N4627UR-1 AVAILABLE IN JAN, JANTX, JANTXV AND JANS

PER MIL-PRF-19500/435

- LEADLESS PACKAGE FOR SURFACE MOUNT
- LOW CURRENT OPERATION AT 250 μ A
- METALLURGICALLY BONDED

1N4614UR-1
thru
1N4627UR-1
and
CDLL4614 thru CDLL4627

MAXIMUM RATINGS

Operating Temperatures: -65°C to +175°C
 DC Power Dissipation: 500mW @ $T_{EC} = +125^\circ\text{C}$
 Power Derating: 10 mW / °C above $T_{EC} = +125^\circ\text{C}$
 Forward Voltage @ 200 mA: 1.1 Volts maximum

ELECTRICAL CHARACTERISTICS @ 25°C, unless otherwise specified.

CDI TYPE NUMBER	NOMINAL ZENER VOLTAGE $V_Z @ I_{ZT}$	ZENER TEST CURRENT I_{ZT}	MAXIMUM ZENER IMPEDANCE $Z_{ZT} @ I_{ZT}$	MAXIMUM REVERSE LEAKAGE CURRENT $I_R @ V_R$		MAXIMUM DC ZENER CURRENT
	(Note 1) VOLTS	μ A	(Note 2) OHMS	μ A	VOLTS	mA
CDLL4614	1.8	250	1200	7.5	1	120
CDLL4615	2.0	250	1250	5.0	1	110
CDLL4616	2.2	250	1300	4.0	1	100
CDLL4617	2.4	250	1400	2.0	1	95
CDLL4618	2.7	250	1500	1.0	1	90
CDLL4619	3.0	250	1600	0.8	1	87
CDLL4620	3.3	250	1650	7.5	1.5	85
CDLL4621	3.6	250	1700	7.5	2	83
CDLL4622	3.9	250	1650	5.0	2	80
CDLL4623	4.3	250	1600	4.0	2	77
CDLL4624	4.7	250	1550	10.0	3	75
CDLL4625	5.1	250	1500	10.0	3	70
CDLL4626	5.6	250	1400	10.0	4	65
CDLL4627	6.2	250	1200	10.0	5	61

NOTE 1 The CDI type numbers shown above have a Zener voltage tolerance of $\pm 5.0\%$. Nominal Zener voltage is measured with the device junction in thermal equilibrium at an ambient temperature of $25^\circ\text{C} \pm 3^\circ\text{C}$. "C" suffix denotes a + 2% tolerance and "D" suffix denotes a + 1% tolerance.

NOTE 2 Zener impedance is derived by superimposing on I_{ZT} A 60Hz rms a.c. current equal to 10% of I_{ZT} .

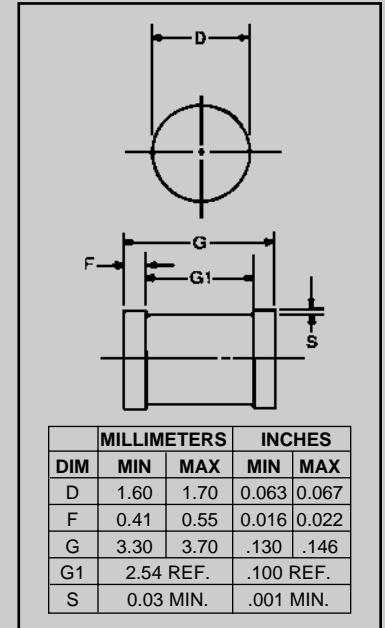


FIGURE 1

DESIGN DATA

CASE: DO-213AA, Hermetically sealed glass case. (MELF, SOD-80, LL34)

LEAD FINISH: Tin / Lead

THERMAL RESISTANCE: ($R_{\theta JEC}$): 100 °C/W maximum at L = 0 inch

THERMAL IMPEDANCE: (Z_{JX}): 35 °C/W maximum

POLARITY: Diode to be operated with the banded (cathode) end positive.

MOUNTING SURFACE SELECTION: The Axial Coefficient of Expansion (COE) Of this Device is Approximately +6PPM/°C. The COE of the Mounting Surface System Should Be Selected To Provide A Suitable Match With This Device.

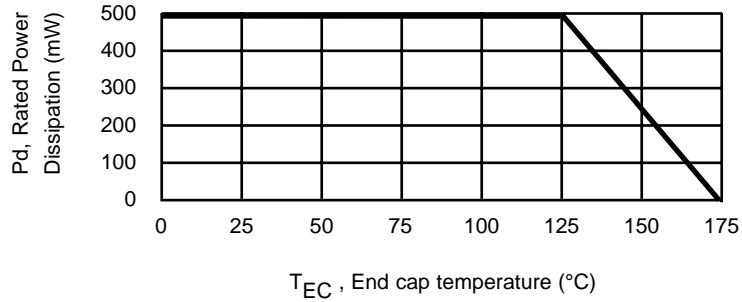


6 LAKE STREET, LAWRENCE, MASSACHUSETTS 01841
 PHONE (978) 620-2600
 WEBSITE: <http://www.microsemi.com>

FAX (978) 689-0803

CDLL4614 thru CDLL4627

FIGURE 2



POWER DERATING CURVE

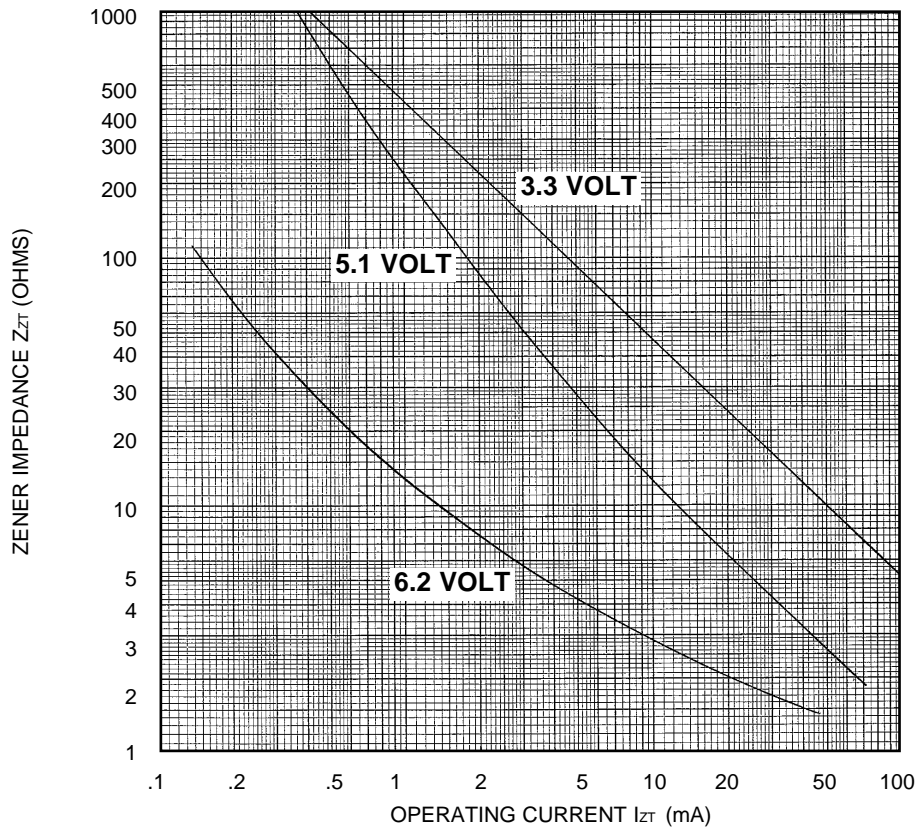


FIGURE 3

ZENER IMPEDANCE VS. OPERATING CURRENT