

SMD Micro Infrared Receiver Module

1-05-08-30

Surface Mount Device

Module No.: PIC-5911ATMB

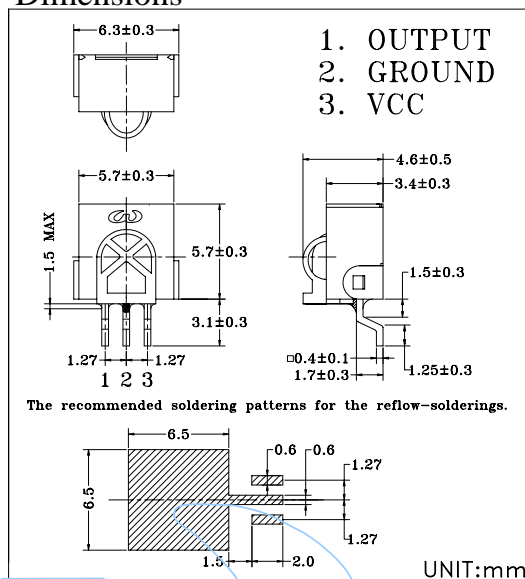
1. Features:

- Microminiature size
- Built-in exclusive IC
- CMOS Design
- Wide half angle & long reception distance
- Good noise-proof capability
- High immunity against ambient light
- High protection ability to EMI
- Back Metal Cover
- Top view
- Mesh
- Wide voltage operating: 2.7V ~ 5.5V

2. Applications

- ≡ AV instruments (Audio, TV, VCR, CD player)
- ≡ Home appliances (Air-conditioner, Fan, Light.)
- ≡ Remote control for wireless devices

Dimensions



3. Absolute Maximum Ratings

($T_a=25^\circ\text{C}$)

Parameter	Symbol	Ratings	Unit
Supply Voltage	Vcc	6.0	V
Operating Temperature	Topr	-10 ~ +60	$^\circ\text{C}$
Storage Temperature	Tstg	-20 ~ +75	$^\circ\text{C}$
Soldering Temperature *1	Tsol	240	$^\circ\text{C}$

*1 At the position of 2mm from the bottom of the package within 5 seconds.

4. Electro-optical Characteristics

($T_a=25^\circ\text{C}$)

Parameter	Symbol	Conditions	Min.	Typ.	Max.	Unit
Supply Voltage	Vcc		2.7		5.5	V
Current Consumption	Icc	Input Signal = 0		1.0	1.2	mA
Reception Distance	d	200 ± 5 Lux, Vcc=3.0V	10	16		m
Half Angle (Horizontal)	$\Delta\theta_h$			± 45		deg
Half Angle (Vertical)	$\Delta\theta_v$			$+45/-40$		deg
Peak Wavelength	λ_p			940		nm
Signal Output	So		--- Active Low ---			
High Level Output Voltage	Voh		Vcc-0.5			V
Low Level Output Voltage	Vol			0.2	0.4	V
High Level Pulse Width	Twh	Burst Wave = 600 μs	500	600	700	μs
Low Level Pulse Width	Twl		500	600	700	μs

5. Reliability Test Items

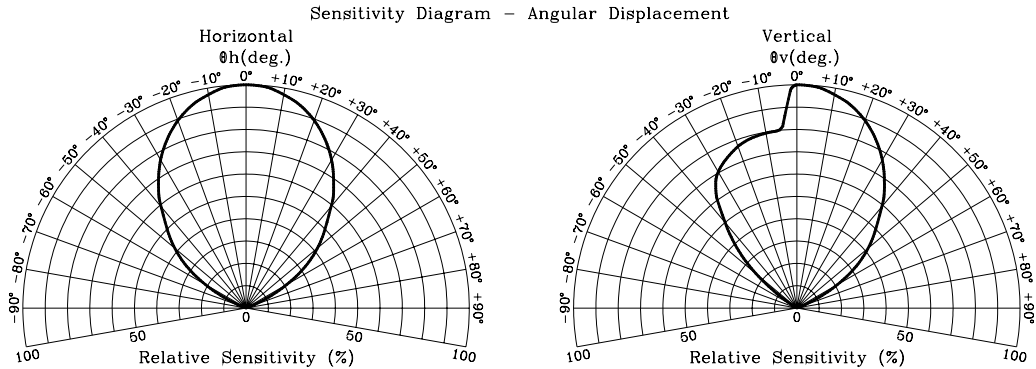
($T_a=25^\circ\text{C}$)

Test Items	Test Conditions	Ratings
High Temperature Storage	$T_a=60^\circ\text{C}$, Vcc=3.0V	t=240hr.
Low Temperature Storage	$T_a=-10^\circ\text{C}$, Vcc=3.0V	t=240hr.
High Temperature High Humid Storage	$T_a=40^\circ\text{C}$, 90%RH, Vcc=3.0V	t=240hr.
Temperature Cycling	-20°C (30min) ~ $+70^\circ\text{C}$ (30min)	20 cycles
Soldering Heat	$240 \pm 5^\circ\text{C}$	5 sec.

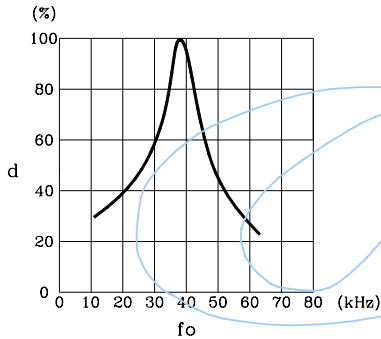
SMD Micro Infrared Receiver Module

Surface Mount Device

Module No.: PIC-5911ATMB



Relative Reception Distance vs Transmitter Carrier Frequency

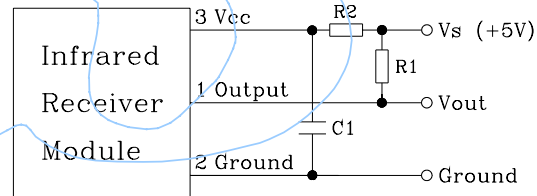


In case of noisy power supply, please serially insert 100Ω resistor and about 47μF electrolytic capacitor in Vcc line and ground as follows:-

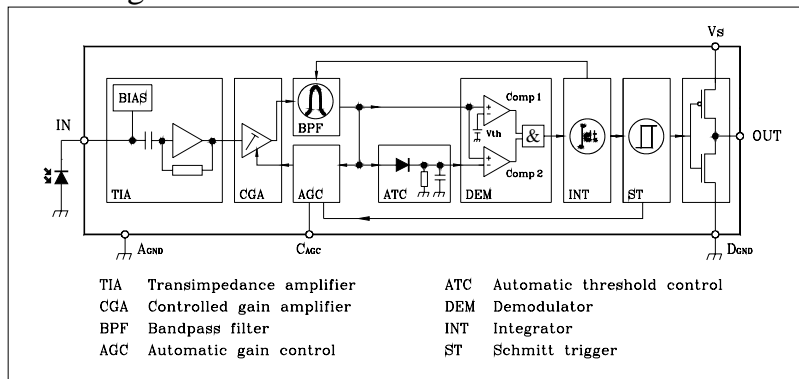
R1=22kΩ

R2=47Ω~100Ω

C1=47μF~100μF



Block Diagram



Caution: This device is CMOS design. The signal output port of this device should drive the input port of the next stage device UNILATERALLY. Directly connecting the output port of this device with that of other device is not allowed and will cause the device to be damaged.

Standard Inspection

Among electrical characteristics, total quantity will be inspected as below:-

- ⊙ Distance between emitter and detector
- ⊙ Current consumption
- ⊙ H level output voltage
- ⊙ L level output voltage

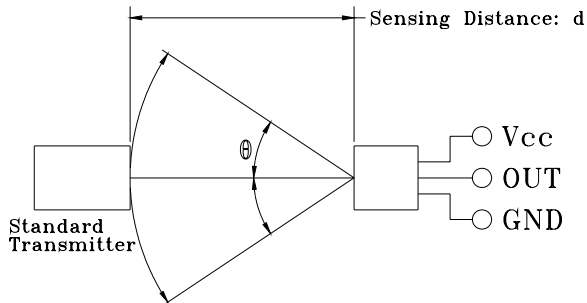
SMD Micro Infrared Receiver Module

Surface Mount Device

Module No.: PIC-5911ATMB

Testing Method

Distance between emitter and detector specifies maximum distance that output waveform satisfies the standard (FIG-3) under the conditions below against the standard transmitter.



a. Measuring place

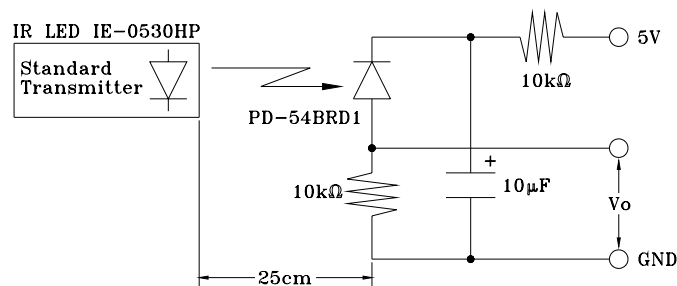
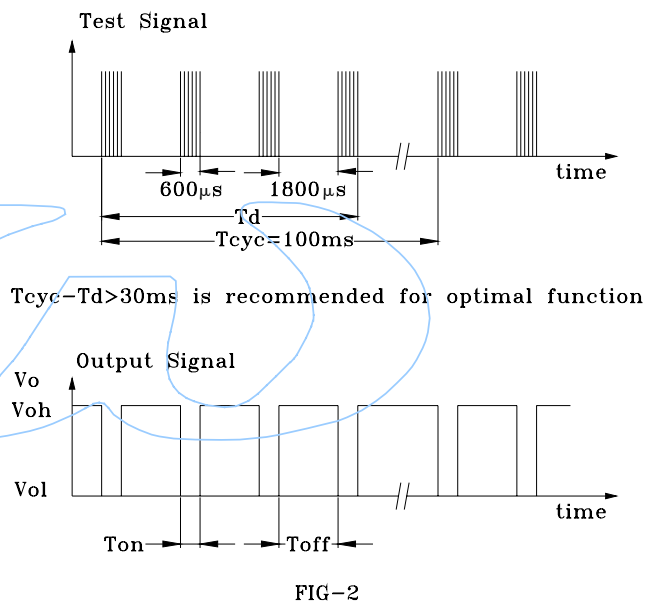
Indoor without extreme reflection of light.

b. Ambient light source

Detecting surface illumination is 200 ± 5 Lux under ordinary white fluorescence lamp of no high frequency lightning.

c. Standard transmitter

Transmitter wave indicated in FIG-2 of standard transmitter is arranged to satisfy $V_o \geq 50mV_{p-p}$ under the measuring circuit specified in FIG-3



Precautions for Use

- Store and use where there is no force causing transformation or change in quality.
- Store and use where there is no corrosive gas or sea (salt) breeze.
- Store and use where there is no extreme humidity.
- Solder the lead pin within the condition of ratings. After soldering, do not add exterior force.
- Do not wash this device. Wipe the stains of diode side with a soft cloth. You can use the solvent, ethyl alcohol, or methyl alcohol only.
- To prevent static electricity damage to the pre-amp, make sure that the human body, the soldering iron are connected to ground before using.