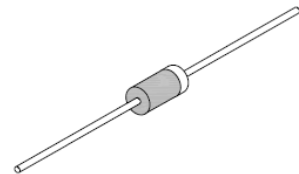


## 500W Low Capacitance Transient Voltage Suppressor

### Features

- Stand-off voltage from 5.0 to 50 volts
- Glass passivated junction
- Excellent clamping capability
- Low incremental surge resistance
- 400W peak pulse capability with a 10/1000us waveform, Repetition rate (duty cycle): 0.01%
- Fast response time: typically less than 1.0ps from 0V to VBR
- Ideal for data line applications
- High temperature soldering guaranteed 265°C/10 seconds, 0.375" (9.5mm) lead length, 5lbs, (2.3kg) tension
- This series is UL recognized under component index. File number E315008
- RoHS Compliant



DO-15



### Mechanical Data

<b>Case:</b>	JEDEC DO-15 molded plastic body over passivated junction
<b>Epoxy:</b>	Plastic package has UL flammability classification 94V-0
<b>Terminals:</b>	Solder plated axial leads, solderable per MIL-STD-750, Method 2026
<b>Polarity:</b>	Color band denotes positive end (cathode)
<b>Mounting position:</b>	Any
<b>Weight:</b>	0.015 Ounce, 0. 4 gram

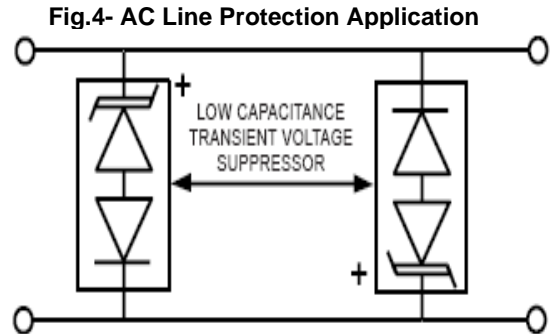
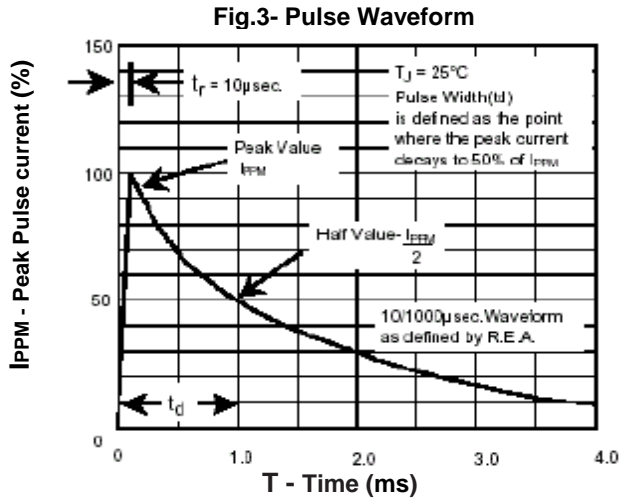
### Maximum Ratings ( $T_{Ambient}=25^{\circ}C$ unless noted otherwise)

Symbol	Description	Value	Unit	Conditions
<b>PPPM</b>	Peak Pulse Power Dissipation on 10/1000 us waveform	Minimum 500	W	Non-repetitive current pulse, per Fig.3 and derated above $T_A=25^{\circ}C$ per Fig.2
<b>IPPM</b>	Peak Pulse current with a 10/1000 us waveform	See Table	A	
<b>PM(AV)</b>	Steady State Power Dissipation	3	W	$T_L=75^{\circ}C$ with lead lengths or 0.375" (9.5mm)
<b>T<sub>J</sub>, T<sub>STG</sub></b>	Operating Junction and Storage Temperature Range	-55 to 175	$^{\circ}C$	



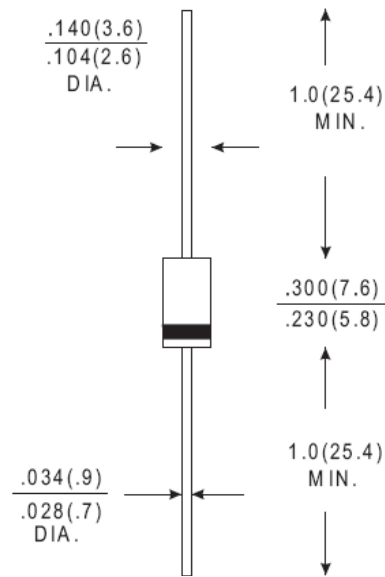
# 500W Low Capacitance Transient Voltage Suppressor

## SAC5.0 - SAC50



APPLICATION NOTE: Device must be used with two units in parallel, opposite in polarity as shown in circuit for AC signal line protection

### Dimensions in inches (mm)



DO-15

# 500W Low Capacitance Transient Voltage Suppressor

---

SAC5.0 - SAC50

## How to contact us:

### US HEADQUARTERS

28040 WEST HARRISON PARKWAY, VALENCIA, CA 91355-4162

Tel: (800) TAITRON (800) 824-8766 (661) 257-6060

Fax: (800) TAITFAX (800) 824-8329 (661) 257-6415

Email: [taitron@taitroncomponents.com](mailto:taitron@taitroncomponents.com)

Http://[www.taitroncomponents.com](http://www.taitroncomponents.com)

### TAITRON COMPONENTS MEXICO, S.A .DE C.V.

BOULEVARD CENTRAL 5000 INTERIOR 5 PARQUE INDUSTRIAL ATITALAQUIA, HIDALGO C.P.  
42970 MEXICO

Tel: +52-55-5560-1519

Fax: +52-55-5560-2190

### TAITRON COMPONETS INCORPORATED E REPRESENTAÇÕES DO BRASIL LTDA

RUA DOMINGOS DE MORAIS, 2777, 2.ANDAR, SALA 24 SAÚDE - SÃO PAULO-SP 04035-001 BRAZIL

Tel: +55-11-5574-7949

Fax: +55-11-5572-0052

### TAITRON COMPONETS INCORPORATED, SHANGHAI REPRESENTATIVE OFFICE

CROSS REGION PLAZA, 899 LINGLING ROAD, SUITE 18C, SHANGHAI, 200030, CHINA

Tel: +86-21-5424-9942

Fax: +86-21-5424-9931