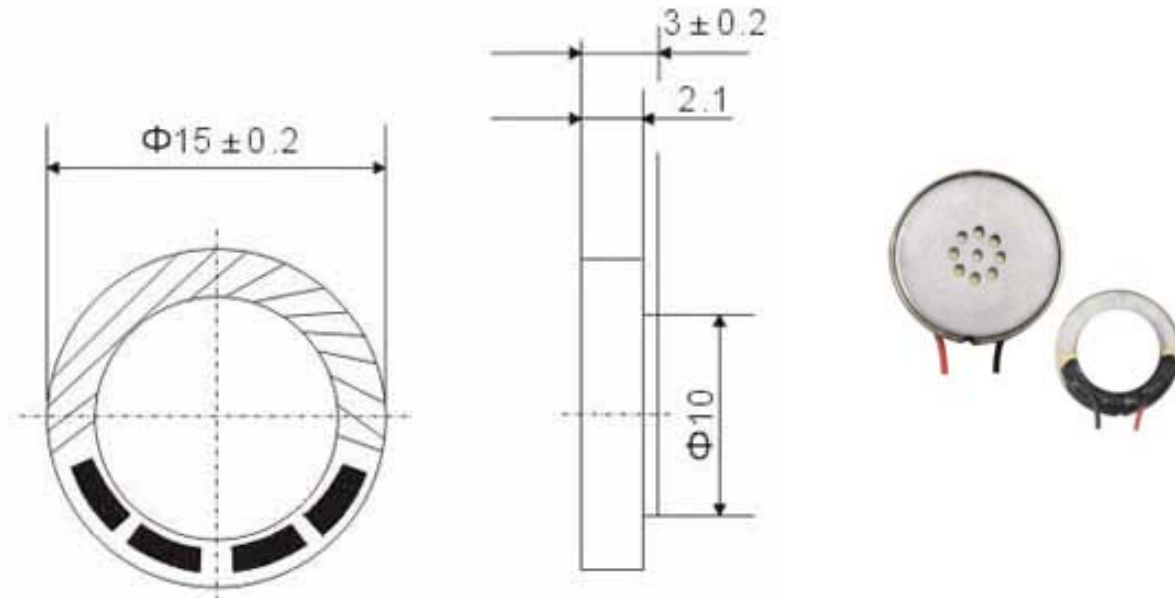




Wire Type

PRC15-1Q

Dimensions and material



Electrical Characteristics

Model No.	PRC15-1Q
Magnet	Nd-Fe-B Magnet
Impedance	$80 \pm 15\% \Omega$ at 1 KHz
Sensitivity	$88 \pm 2\text{dB S.P.L.}60\text{mv(IEC318)}$ at 1KHZ $0\text{dB}=2 \times 10^{-5}\text{Pa}$

Frequency Response

