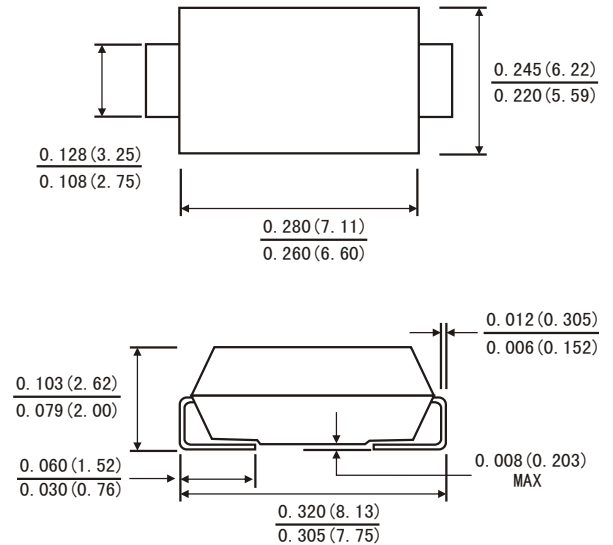


FEATURES

- Plastic package has Underwriters Laboratory Flammability Classification 94V-0
- Metal silicon junction ,majority carrier conduction
- For surface mount applications
- Low power loss ,high efficiency
- High current capability ,Low forward voltage drop
- Low profile package
- Built-in strain relief ,ideal for automated placement
- For use in low voltage ,high frequency inverters, free wheeling ,and polarity protection applications
- High temperature soldering guaranteed:260°C/10 seconds at terminals
- Component in accordance to RoHS 2002/95/EC and WEEE 2002/96/EC



SMC(DO-214AB)



Dimensions in inches and (millimeters)

MECHANICAL DATA

- Case: JEDEC SMC(DO-214AB) molded plastic body
- Terminals: solder plated ,solderable per MIL-STD-750,method 2026
- Polarity: color band denotes cathode end
- Weight: 0.007ounce,0.21 gram

MAXIMUM RATINGS AND ELECTRICAL CHARACTERISTICS

(Ratings at 25 °C ambient temperature unless otherwise specified ,Single phase ,half wave ,resistive or inductive load. For capacitive load,derate by 20%.)

	Symbols	SS 52	SS 53	SS 54	SS 55	SS 56	SS 58	SS 5A	Units
Maximum repetitive peak reverse voltage	VRRM	20	30	40	50	60	80	100	Volts
Maximum RMS voltage	VRMS	14	21	28	35	42	57	71	Volts
Maximum DC blocking voltage	VDC	20	30	40	50	60	80	100	Volts
Maximum average forward rectified current 0.375"(9.5mm) lead length(see fig.1)	I(AV)	5.0							Amps
Peak forward surge current 8.3ms single half sine-wave superimposed on rated load (JEDEC method at rated Tj)	IFSM	150.0							Amps
Maximum instantaneous forward voltage at 5.0 A(Note 1)	VF	0.55		0.75		0.80	0.85		Volts
Maximum instantaneous reverse current at rated DC blocking voltage(Note 1)	IR	1.5							mA
		20		10					
Typical junction capacitance(Note 3)	CJ	500			400				pF
Typical thermal resistance (Note 2)	RθJA	55.0							°C/W
	RθJL	17.0							
Operating junction temperature range	TJ	-65 to+125			-65 to+150				°C
Storage temperature range	TSTG	-65 to+150							°C

- Notes: 1. Pulse test: 300 μs pulse width,1% duty cycle
 2. P.C.B. mounted 0.55X0.55"(14X14mm) copper pad areas
 3. Measured at 1MHz and reverse voltage of 4.0 volts

RATINGS AND CHARACTERISTIC CURVES SS52-SS5A

FIG.1-FORWARD CURRENT DERATING CURVE

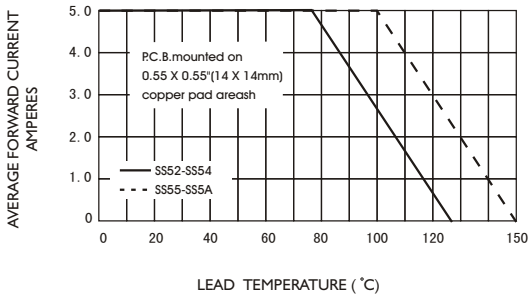


FIG.2-MAXIMUM NON-REPETITIVE PEAK FORWARD SURGE CURRENT

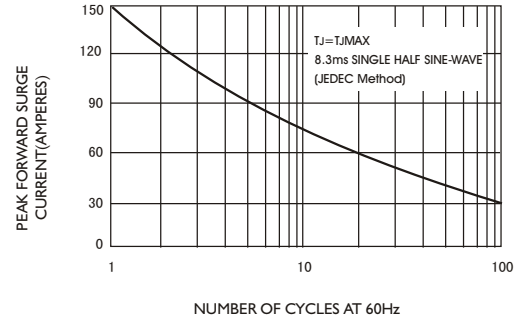


FIG.3-TYPICAL INSTANTANEOUS FORWARD CHARACTERISTICS

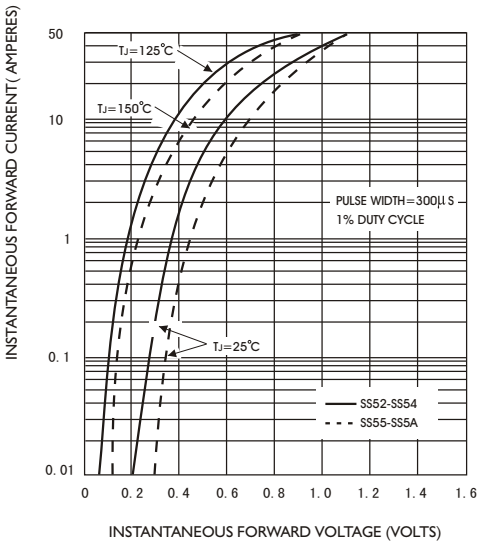


FIG.4-TYPICAL REVERSE CHARACTERISTICS

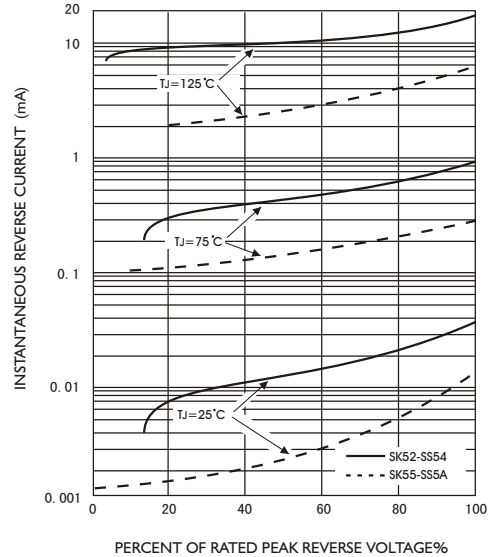


FIG.5-TYPICAL JUNCTION CAPACITANCE

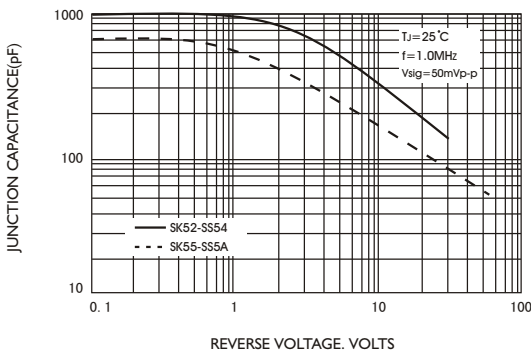


FIG.6-TYPICAL TRANSIENT THERMAL IMPEDANCE

