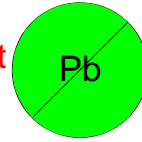


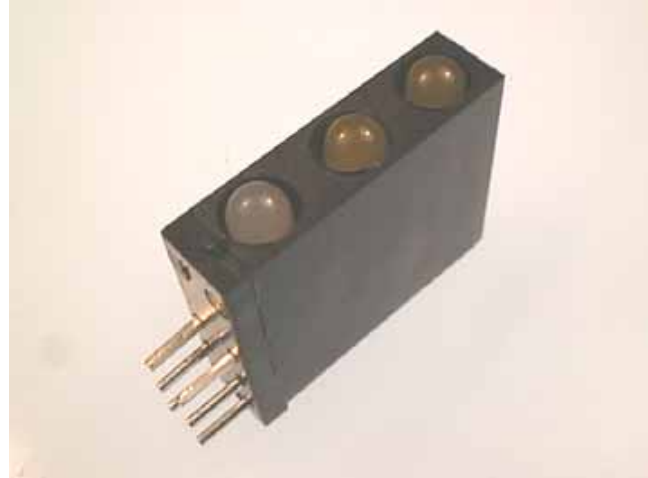
This component is RoHS compliant



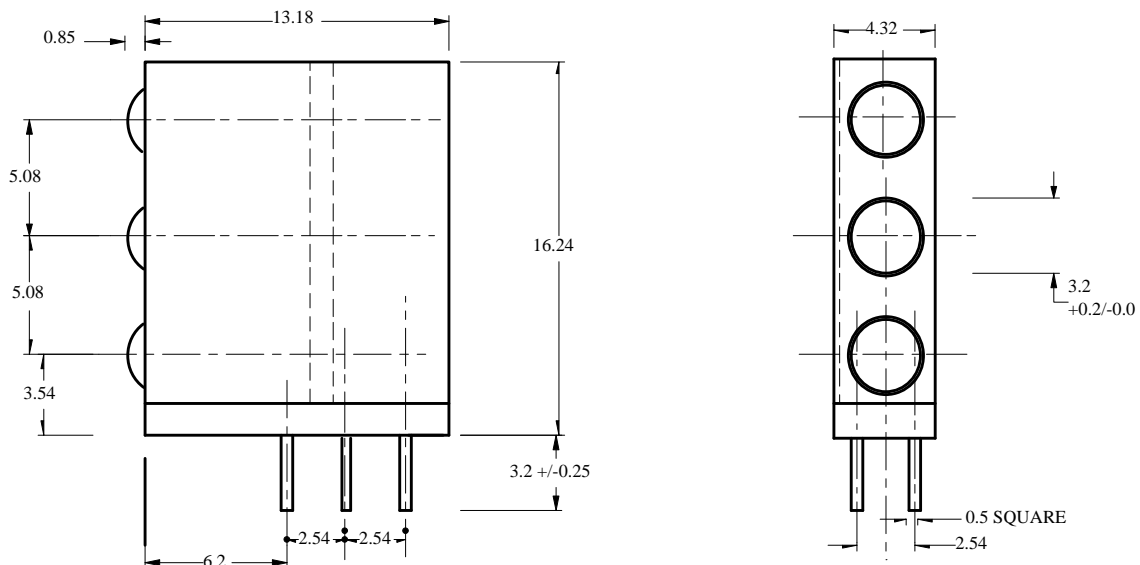
**SSA 200
SERIES
3 TIER**

The SSA 200 series is a family of display devices using a Black Nylon 6 VO rated housing to mount three 3mm LEDs at right angles to a PCB. The pin out is in line on 0.1". In any one batch the LEDs are lumenous intensity matched.

- Accurate alignment of LEDs.
- Low current and high- bright available.
- Unique Baseplate for accurate lead positioning.
- Matched LEDs.
- Shrouded LED to reduce cross talk.



MECHANICAL DATA



BEDFORD OPTO TECHNOLOGY LTD
1 BIGGAR BUSINESS PARK, BIGGAR, LANARKSHIRE, ML12 6FX
Tel: +44 (0) 1899 221221 Fax: +44 (0) 1899 221009
Website: bot.co.uk E-mail: bill@bot.co.uk

17.2.00 ISS A

ABSOLUTE MAXIMUM RATINGS (T_A = 25°C)**SSA 200**

Parameter	Red	Green	Yellow	Orange	RED GREEN
Forward Current	15mA	30mA	20mA	30mA	30mA
Power Dissipation	40mW	100mW	60mW	100mW	100mW
Reverse Current @ 5V	10µA	10µA	10µA	10µA	100µA
Operating Temperature	-40°C to +85°C				
Storage Temperature	-40°C to 100°C				
Lead Soldering Temperature for 5sec (2.0mm from Body)	260°C				

OPTO ELECTRONIC DATA (T_a = 25°C)

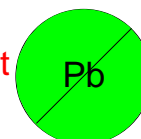
COLOUR		Luminous Intensity If = 10mA mcd	Peak Wave-length nm	Viewing Angle Degrees	Forward Voltage If = 20mA volts
RED	min	2.0	-	-	1.7
	typ	4.2	697	50	-
	max	-	-	-	2.8
YELLOW	min	7.5	-	-	1.7
	typ	12	585	50	-
	max	-	-	-	2.8
GREEN	min	9.0	-	-	1.7
	typ	15	565	50	-
	max	-	-	-	2.8
ORANGE	min	7.5	-	-	1.7
	typ	12	635	50	-
	max	-	-	-	2.8
RED	Min	2.2 @20mA	630	200	2.0
	Typ	4.8 @20mA			2.8
	Max	-			-
GREEN	Min	2.2 @20mA	565	200	2.1
	Typ	4.8 @20mA			2.8
	Max	-			-
BI-COLOUR					

ORDERING INFORMATION

Dual LED - SSA200XYZ X = Top LED Y = Middle LED Z = Bottom LED

Indicate colour by using R = Red O = Orange
 Y = Yellow B = Blank
 G = Green B/C=Red Green Bi-colour

This
component
is RoHS
compliant



BEDFORD OPTO TECHNOLOGY LTD
1 BIGGAR BUSINESS PARK, BIGGAR, LANARKSHIRE, ML12 6FX
 Tel: +44 (0) 1899 221221 Fax: +44 (0) 1899 221009
 Website: bot.co.uk E-mail: bill@bot.co.uk

17.2.00 ISS A