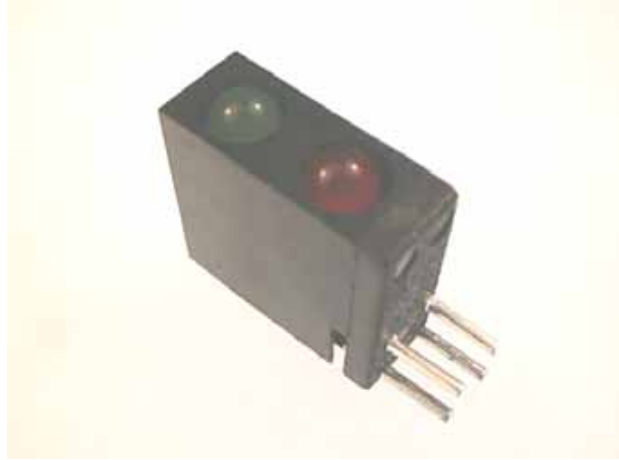


SSA 196 SERIES 3mm LED ASSEMBLY

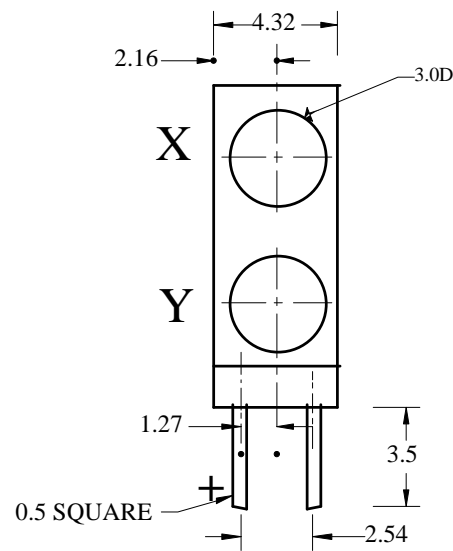
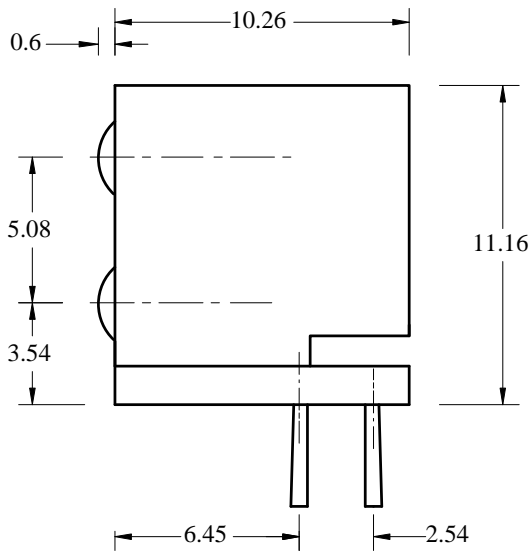
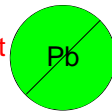
The SSA-196 series is a family of display devices using a Black Nylon 6 UL-94VO rated housing to mount one or two 3mm LEDs at right angles to a PCB.

- Accurate alignment of LEDs..
- Unique Baseplate for accurate lead positioning.
- Shrouded LED to reduce cross talk.
- Bi-Colour and 2mA LEDs available.



MECHANICAL DATA

This component is RoHS compliant



BEDFORD OPTO TECHNOLOGY LTD
1 BIGGAR BUSINESS PARK, BIGGAR, LANARKSHIRE, ML12 6FX
Tel: +44 (0) 1899 221221 Fax: +44 (0) 1899 221009
Website: bot.co.uk E-mail: bill@bot.co.uk

ISS B 10.3.06

ABSOLUTE MAXIMUM RATINGS (T_A = 25°C)**SSA 196**

Parameter	RED	Red	Green	Yellow	Orange
Forward Current	30mA	15mA	30mA	20mA	30mA
Power Dissipation	100mW	40mW	100mW	60mW	100mW
Reverse Current @ 5V	100µA	10µA	10µA	10µA	10µA
Operating Temperature	-40°C to +85°C				
Storage Temperature	-40°C to 100°C				
Lead Soldering Temperature	260°C				

OPTO ELECTRONIC DATA (T_A = 25°C)

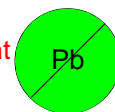
COLOUR		Luminous Intensity If = 10mA mcd	Peak Wave-length nm	Viewing Angle Degrees	Forward Voltage If = 20mA volts
RED	min	2.0	-	-	1.7
	typ	4.2	697	50	-
	max	-	-	-	2.8
YELLOW	min	7.5	-	-	1.7
	typ	12	585	50	-
	max	-	-	-	2.8
GREEN	min	9.0	-	-	1.7
	typ	15	565	50	-
	max	-	-	-	2.8
ORANGE	min	7.5	-	-	1.7
	typ	12	635	50	-
	max	-	-	-	2.8
RED	Min	2.2 @20mA	630	200	2.0
	Typ	4.8 @20mA			2.8
	Max				
GREEN	Min	2.2 @20mA	565	200	2.1
	Typ	4.8 @20mA			2.8
	Max				
BI-					

ORDERING INFORMATION

Dual LED - SSA 196XY X = Top LED Y = Bottom LED

Indicate colour by using R = Red
 Y = Yellow
 G = Green
 O = Orange
 BC = Red/Green Bi-Colour. [Red/Yellow Bi-colour to Special Order.]

This component
is RoHS
compliant



BEDFORD OPTO TECHNOLOGY LTD
1 BIGGAR BUSINESS PARK, BIGGAR, LANARKSHIRE ML12 6FX

Tel: +44 (0) 1899 221221 Fax: +44 (0) 1899 221009

Website: bot.co.uk E-mail: bill@bot.co.uk

ISS B 10.3.06