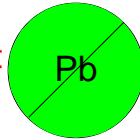


This component is RoHS compliant



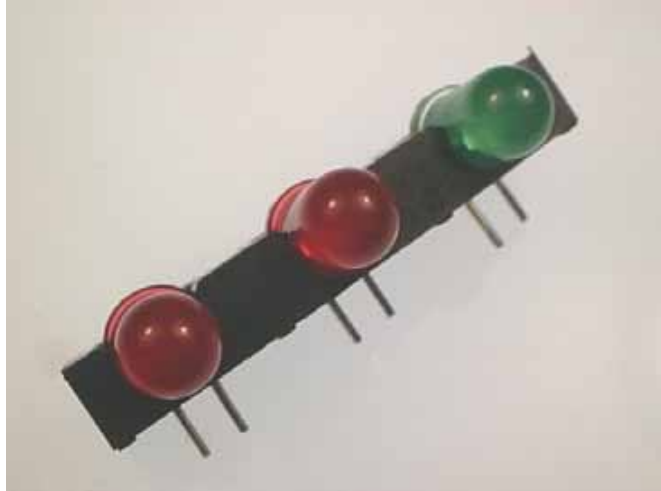
SSA-099

5mm LED ASSEMBLY

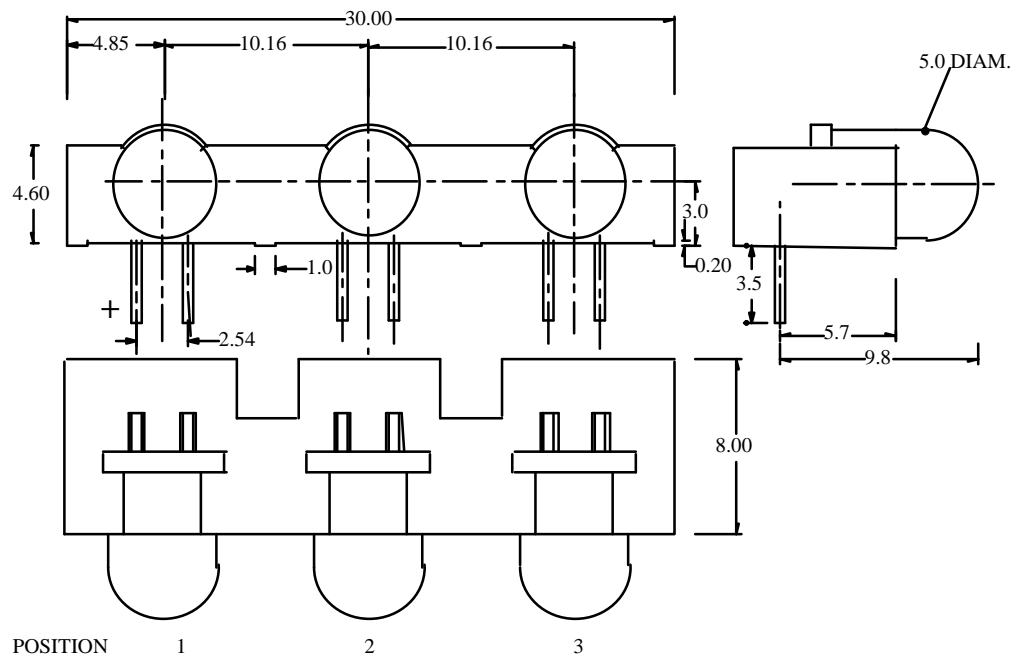
3 WAY

SSA-099 is a three element arrays of 5mm LEDs mounted at 10.16mm pitch. Leads are bent at right angles and cropped. The housing is black Nylon 6 V0 rated.

- LEDs of each colour are matched for brightness and hue-within arrays and array to array.
- Colour combination and polarity to customer's choice.
- Cropped leads 3.5mm standard, other lengths available.
- Regular 10.16mm pitch for tidy front panel presentation.
- Labour saving on assembly.



MECHANICAL DATA



BEDFORD OPTO TECHNOLOGY LTD
1.BIGGAR BUSINESS PARK, BIGGAR, LANARKSHIRE, ML12 6FX
Tel: +44 (0) 1899 221221 Fax: +44 (0) 1899 221009
Website: bot.co.uk E-mail: bill@bot.co.uk

4.4.00 ISS A

ABSOLUTE MAXIMUM RATINGS (TA = 25°C)

SSA099

PARAMETER	High Efficiency Red	Yellow	Green	UNITS
CONTINUOUS FORWARD CURRENT	20	20	25	mA
FORWARD CURRENT SURGE (Pulse Width 1ms, Duty 1/5)	60	60	60	mA
POWER DISSIPATION Tamb<60 C	60	60	75	mW
REVERSE VOLTAGE	5	5	5	V
STORAGE TEMP	-30 to +100°C			
OPERATING TEMP	-25 to +85°C			
SOLDERING TEMPERATURE (1.6mm below body for 5 sec)				

OPTO ELECTRONIC DATA (If = 10mA)

COLOUR		Luminous Intensity mcd	Viewing Angle (1) deg	Peak Wavelength nm	Forward Voltage Volts	Reverse Current Vr = 3V µA
RED	min	2.2	40	650	2.0	10
	typ	6.3				
	max	-				
YELLOW	min	2.2	40	585	2.1	10
	typ	6.3				
	max	-				
GREEN	min	3.6	40	563	2.1	10
	typ	10				
	max	-				

NOTES:

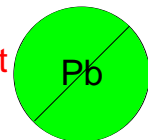
- 1 Viewing angle is the off-axis angle at which luminous intensity is half the axial luminous intensity.

ORDERING INFORMATION

SSA-099 X X X

where 1st X = 1st element X = R = Red
Y = Yellow
G = Green

This component is RoHS compliant



BEDFORD OPTO TECHNOLOGY LTD
1,BIGGAR BUSINESS PARK, BIGGAR,LANARKSHIRE, ML12 6FX
Tel: +44 (0) 1899 221221 Fax: +44 (0) 1899 221009
Website: bot.co.uk E-mail: bill@bot.co.uk

6.2.00 ISS A