

# M62009L/P/FP

## Low Power 2 Output System Reset IC with External Input

REJ03D0782-0100

Rev.1.00

Sep 14, 2005

### Description

As applications for microcomputers are increasing, a desire has arisen for a RAM backup function. Let us introduce Renesas new low power dissipation, high-performance system reset IC, which is suitable for such RAM backup.

The M62009, which is a low power dissipation 2-output microcomputer system reset IC, is a 2-output system reset IC which provides for RAM backup in microcomputers, and reduces power dissipation by using the Bi-CMOS process. The M62009 considerably reduces the number of components in the reset circuit.

The M62009 performs two-step detection of normal supply voltage and backup supply voltage required for backup mode. When the supply voltage is switched from normal supply voltage to backup supply voltage the interruption output, which is one of the two outputs, gives the interruption signal to a microcomputer, in this way, the microcomputer reduces power dissipation and enters in the backup mode. If the backup supply voltage goes lower than the voltage required for backup, the reset output ( $\overline{\text{RESET}}$  output) which is different from the  $\overline{\text{INT}}$  output gives the reset signal (forced reset) to the microcomputer. The interruption signal from the  $\overline{\text{INT}}$  output recovers the microcomputer from the backup mode. To recover from reset,  $\overline{\text{RESET}}$  output is canceled when the specified interval of time (delay time) elapses after the signal is given from the  $\overline{\text{INT}}$  output.

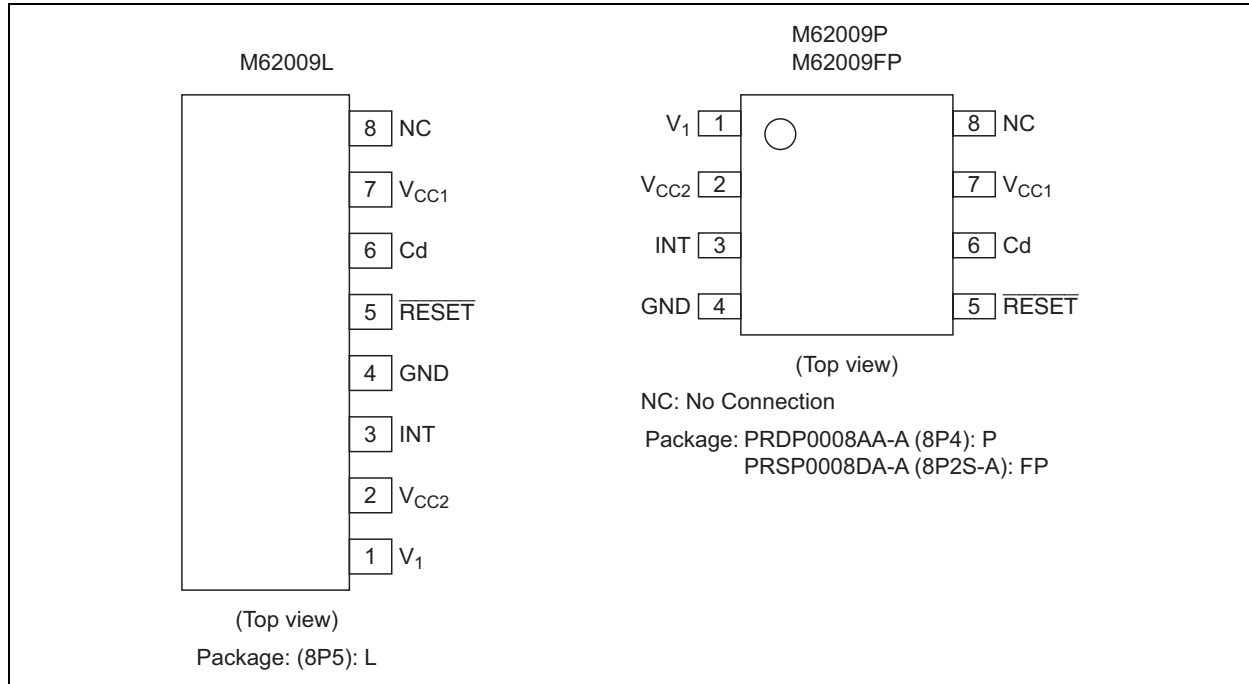
### Features

- Bi-CMOS process realizes a configuration of low current dissipating circuits.
  - $I_{CC} = 7 \mu\text{A}$  (Typ, normal mode,  $V_{CC1} = V_{CC2} = 5.0 \text{ V}$ )
  - $I_{CC} = 5 \mu\text{A}$  (Typ, backup mode,  $V_{CC1} = 5.0 \text{ V}$ )
  - $I_{CC} = 1 \mu\text{A}$  (Typ, backup mode,  $V_{CC1} = 2.5 \text{ V}$ )
- Two-step detection of supply voltage
  - $V_{CC1}$  ( $\overline{\text{RESET}}$ ):
    - $V_{S1-1} = 4.0 \text{ V}$  (Typ, increase of  $V_{CC1}$ )
    - $V_{S1-2} = 2.0 \text{ V}$  (Typ, decrease of  $V_{CC1}$ )
  - $V_{CC2}$  ( $\overline{\text{INT}}$ ):
    - Free setup
- Two outputs (open drain type)
  - Reset output ( $\overline{\text{RESET}}$ ): Forced reset signal output
  - Interruption output ( $\overline{\text{INT}}$ ): Output of the signal for interruption processing (output of the switching signal for backup mode)
- Three types of outline packages
  - 8-pin plastic SIP (single in-line package)
  - 8-pin plastic DIP (dual in-line package)
  - 8-pin plastic SOP (mini flat package)
- Output based on RAM backup mode (see the timing chart)

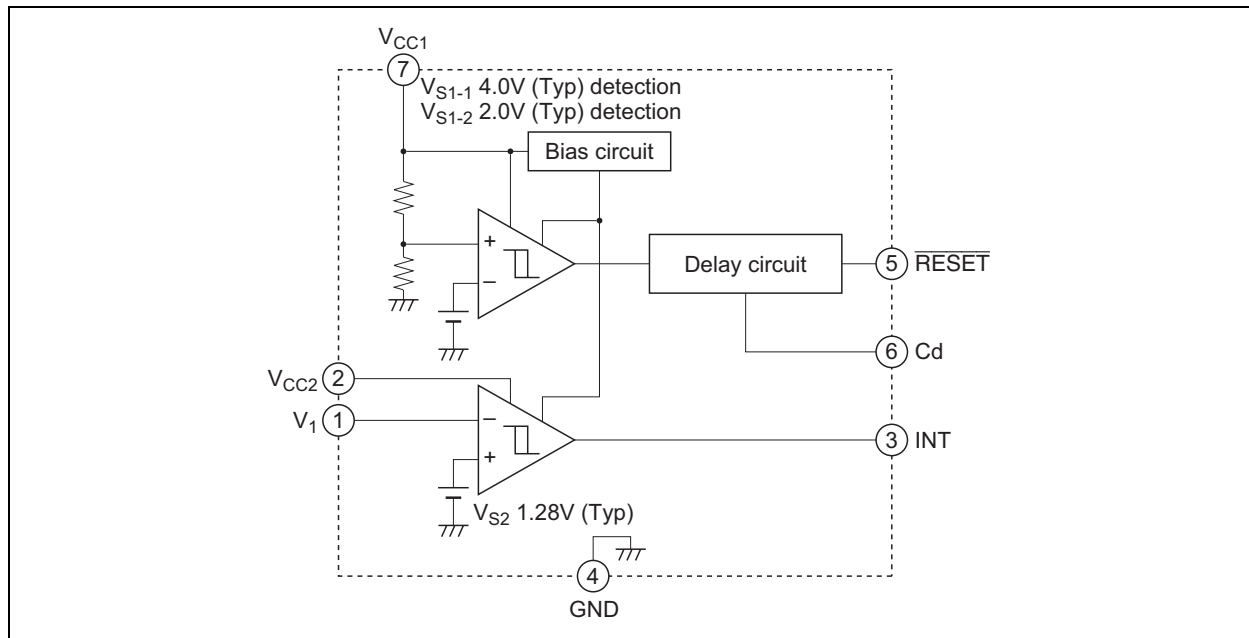
### Application

- Prevention of errors in microcomputer system in electronic equipment that requires RAM backup, such as office, industrial, and home-use equipment.

## Pin Arrangement



## Block Diagram



## Absolute Maximum Ratings

(Ta = 25°C, unless otherwise noted)

Item	Symbol	Ratings	Unit	Conditions
Supply voltage	V <sub>CC</sub>	8	V	
Output sink current	I <sub>sink</sub>	5	mA	
Power dissipation	P <sub>d</sub>	800	mW	8-pin SIP
		625		8-pin DIP
		440		8-pin SOP
Thermal derating	K <sub>θ</sub>	4.4	mW/°C	Ta ≥ 25°C
Operating temperature	T <sub>opr</sub>	-20 to +75	°C	
Storage temperature	T <sub>stg</sub>	-40 to +125	°C	

## Electrical Characteristics

(Ta = 25°C, unless otherwise noted)

Item	Symbol	Min	Typ	Max	Unit	Test Conditions
Detection voltage	V <sub>S1-1</sub>	3.8	4.0	4.2	V	Increase of V <sub>CC1</sub>
	V <sub>S1-2</sub>	1.85	2.00	2.15		Decrease of V <sub>CC1</sub>
Reference voltage	V <sub>S2</sub>	1.23	1.28	1.33	V	Decrease of V <sub>1</sub>
Hysteresis voltage	ΔV <sub>S</sub>	—	87	—	mV	V <sub>CC2</sub> = Detection voltage of hysteresis voltage (Detection voltage = 4V setup)
Circuit current	I <sub>CC1</sub>	—	7	15	μA	V <sub>CC1</sub> = V <sub>CC2</sub> = 5V
	I <sub>CC2-1</sub>	—	5	10		V <sub>CC1</sub> = 5V, V <sub>CC2</sub> = 0V
	I <sub>CC2-2</sub>	—	1	3		V <sub>CC1</sub> = 2.5V, V <sub>CC2</sub> = 0V
Delay time	t <sub>d</sub>	—	50	—	ms	C <sub>d</sub> = 0.33μF
Output saturation voltage	V <sub>sat</sub>	—	0.2	0.4	V	V <sub>IN</sub> = 5V, I <sub>O</sub> = 4mA (NMOS)
Reset output response time	t <sub>RESET</sub>	—	30	—	μs	Time between V <sub>CC1</sub> (when falling) = V <sub>S1-2</sub> and output of $\overline{\text{RESET}}$ signal
Interruption output reset time	t <sub>INT</sub>	—	100	—	μs	Time between V <sub>CC2</sub> (when falling) = V <sub>S2</sub> and output of $\overline{\text{INT}}$ signal

### Operating Description

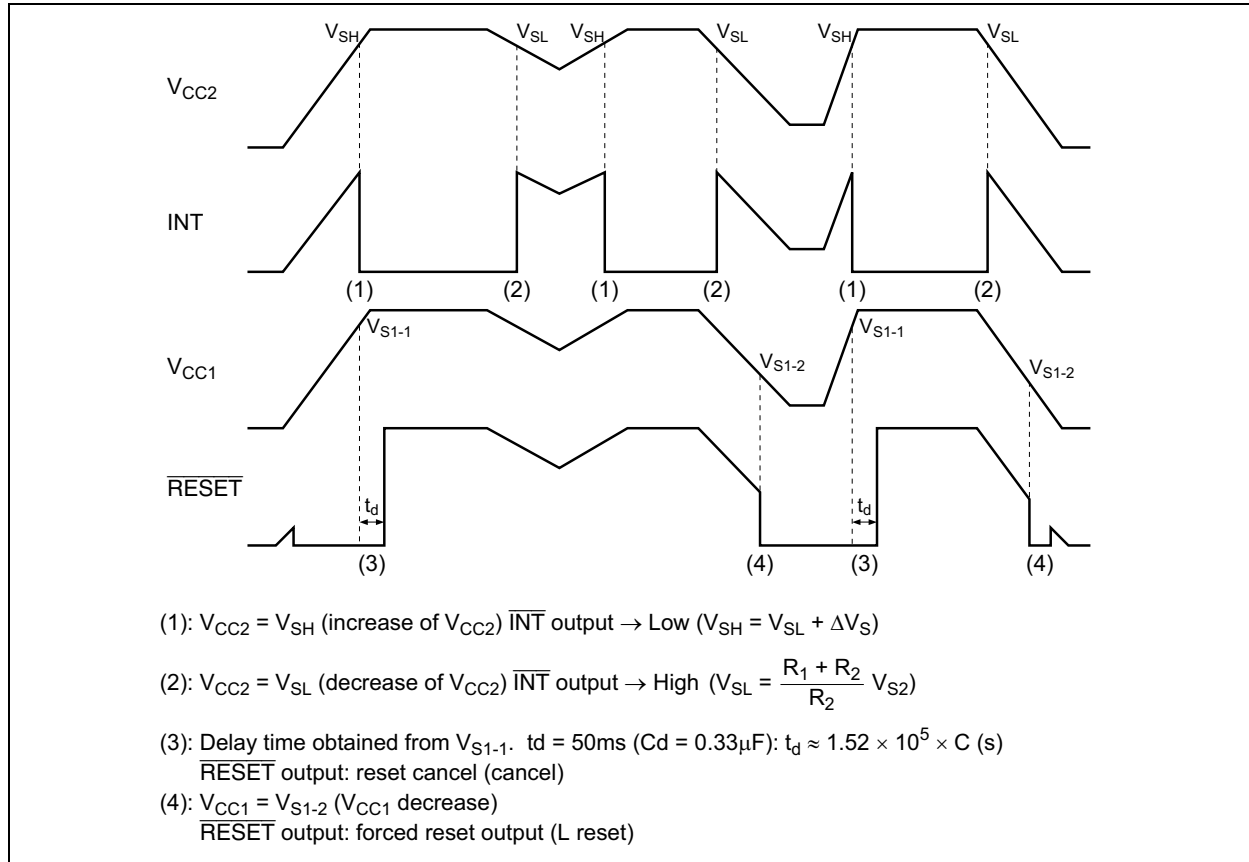


Figure 1 Operating Waveform

### Application Example

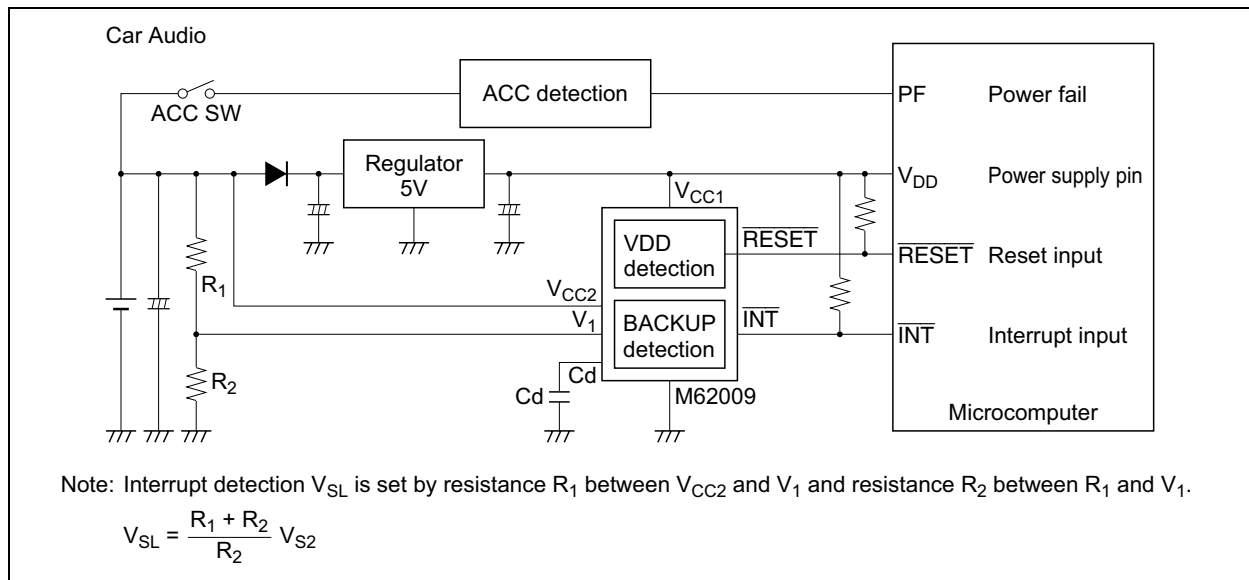
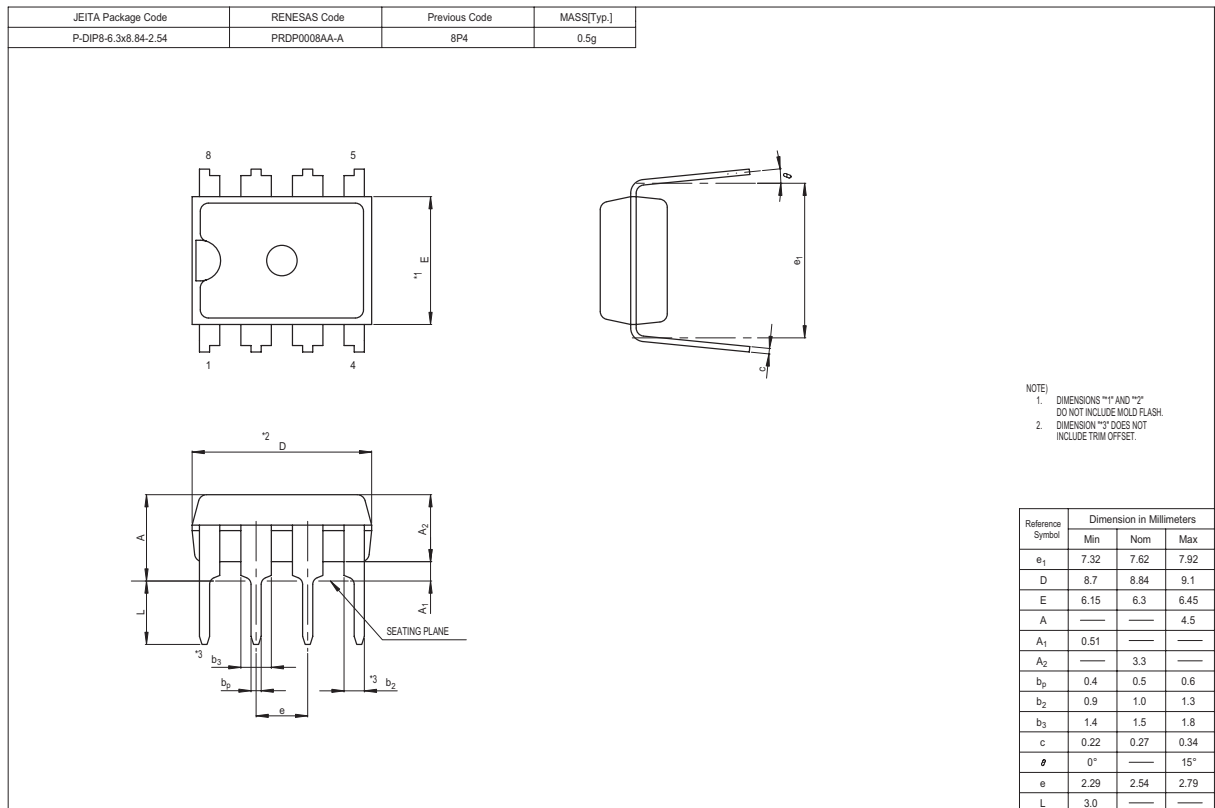
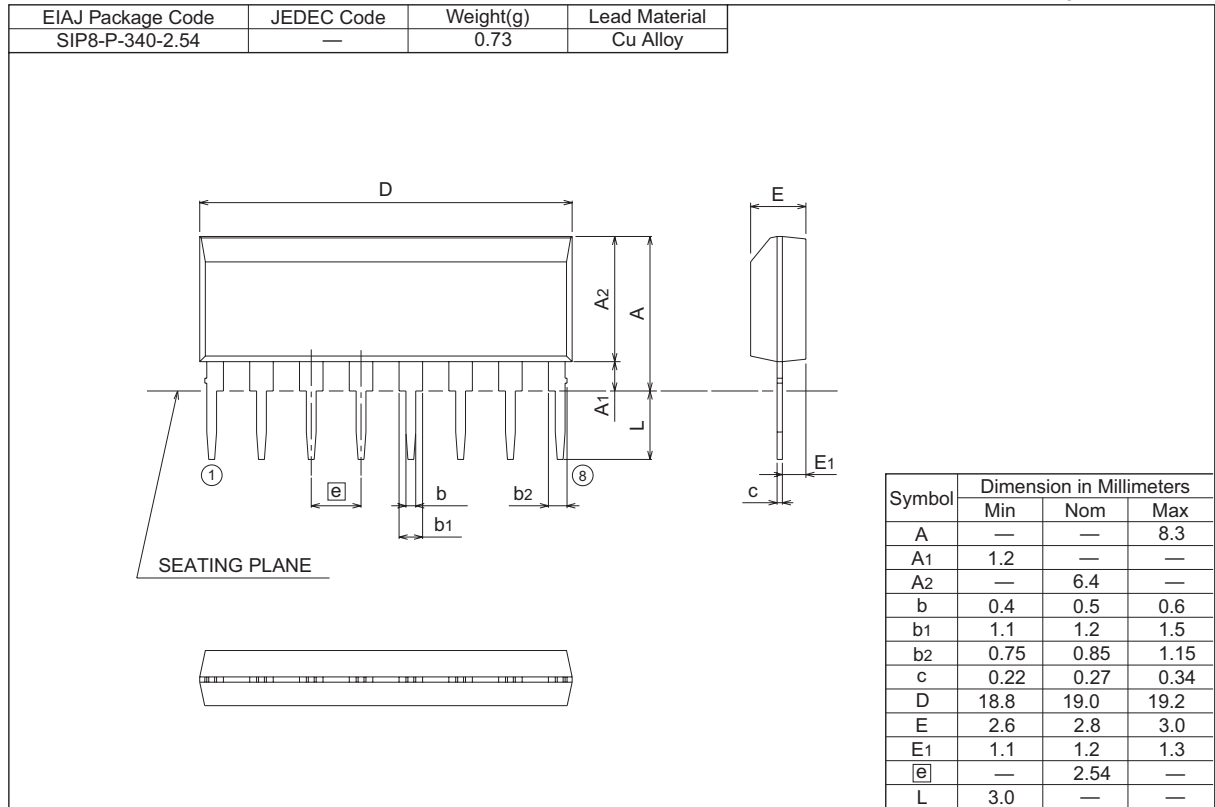


Figure 2 Application Example

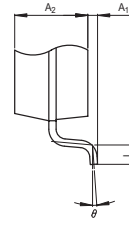
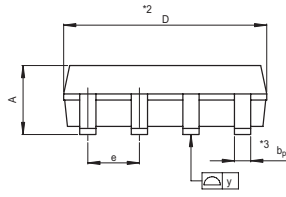
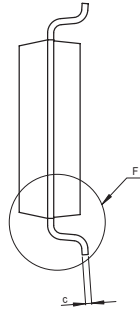
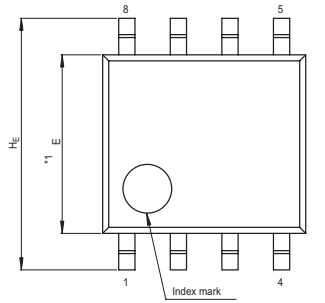
# Package Dimensions

## 8P5

Plastic 8pin 340mil SIP



JEITA Package Code	RENESAS Code	Previous Code	MASS[Typ.]
P-SOP8-4.4x5-1.27	PRSP0008DA-A	8P2S-A	0.07g



Detail F

NOTE)  
 1. DIMENSIONS \*1\* AND \*2\*  
 DO NOT INCLUDE MOLD FLASH.  
 2. DIMENSION \*3\* DOES NOT  
 INCLUDE TRIM OFFSET.

Reference Symbol	Dimension in Millimeters		
	Min	Nom	Max
D	4.8	5.0	5.2
E	4.2	4.4	4.6
A <sub>2</sub>	—	1.5	—
A <sub>1</sub>	0.05	—	—
A	—	—	1.9
b <sub>p</sub>	0.35	0.4	0.5
c	0.13	0.15	0.2
θ	0°	—	10°
H <sub>E</sub>	5.9	6.2	6.5
e	1.12	1.27	1.42
y	—	—	0.1
L	0.2	0.4	0.6

## RENESAS Technology Corp. Sales Strategic Planning Div. Nippon Bldg., 2-6-2, Ohte-machi, Chiyoda-ku, Tokyo 100-0004, Japan

Keep safety first in your circuit designs!

1. Renesas Technology Corp. puts the maximum effort into making semiconductor products better and more reliable, but there is always the possibility that trouble may occur with them. Trouble with semiconductors may lead to personal injury, fire or property damage. Remember to give due consideration to safety when making your circuit designs, with appropriate measures such as (i) placement of substitutive, auxiliary circuits, (ii) use of nonflammable material or (iii) prevention against any malfunction or mishap.

Notes regarding these materials

1. These materials are intended as a reference to assist our customers in the selection of the Renesas Technology Corp. product best suited to the customer's application; they do not convey any license under any intellectual property rights, or any other rights, belonging to Renesas Technology Corp. or a third party.
2. Renesas Technology Corp. assumes no responsibility for any damage, or infringement of any third-party's rights, originating in the use of any product data, diagrams, charts, programs, algorithms, or circuit application examples contained in these materials.
3. All information contained in these materials, including product data, diagrams, charts, programs and algorithms represents information on products at the time of publication of these materials, and are subject to change by Renesas Technology Corp. without notice due to product improvements or other reasons. It is therefore recommended that customers contact Renesas Technology Corp. or an authorized Renesas Technology Corp. product distributor for the latest product information before purchasing a product listed herein. The information described here may contain technical inaccuracies or typographical errors. Renesas Technology Corp. assumes no responsibility for any damage, liability, or other loss rising from these inaccuracies or errors. Please also pay attention to information published by Renesas Technology Corp. by various means, including the Renesas Technology Corp. Semiconductor home page (<http://www.renesas.com>).
4. When using any or all of the information contained in these materials, including product data, diagrams, charts, programs, and algorithms, please be sure to evaluate all information as a total system before making a final decision on the applicability of the information and products. Renesas Technology Corp. assumes no responsibility for any damage, liability or other loss resulting from the information contained herein.
5. Renesas Technology Corp. semiconductors are not designed or manufactured for use in a device or system that is used under circumstances in which human life is potentially at stake. Please contact Renesas Technology Corp. or an authorized Renesas Technology Corp. product distributor when considering the use of a product contained herein for any specific purposes, such as apparatus or systems for transportation, vehicular, medical, aerospace, nuclear, or undersea repeater use.
6. The prior written approval of Renesas Technology Corp. is necessary to reprint or reproduce in whole or in part these materials.
7. If these products or technologies are subject to the Japanese export control restrictions, they must be exported under a license from the Japanese government and cannot be imported into a country other than the approved destination. Any diversion or reexport contrary to the export control laws and regulations of Japan and/or the country of destination is prohibited.
8. Please contact Renesas Technology Corp. for further details on these materials or the products contained therein.



### RENESAS SALES OFFICES

<http://www.renesas.com>

Refer to "<http://www.renesas.com/en/network>" for the latest and detailed information.

#### **Renesas Technology America, Inc.**

450 Holger Way, San Jose, CA 95134-1368, U.S.A  
Tel: <1> (408) 382-7500, Fax: <1> (408) 382-7501

#### **Renesas Technology Europe Limited**

Dukes Meadow, Millboard Road, Bourne End, Buckinghamshire, SL8 5FH, U.K.  
Tel: <44> (1628) 585-100, Fax: <44> (1628) 585-900

#### **Renesas Technology Hong Kong Ltd.**

7th Floor, North Tower, World Finance Centre, Harbour City, 1 Canton Road, Tsimshatsui, Kowloon, Hong Kong  
Tel: <852> 2265-6688, Fax: <852> 2730-6071

#### **Renesas Technology Taiwan Co., Ltd.**

10th Floor, No.99, Fushing North Road, Taipei, Taiwan  
Tel: <886> (2) 2715-2888, Fax: <886> (2) 2713-2999

#### **Renesas Technology (Shanghai) Co., Ltd.**

Unit2607 Ruijing Building, No.205 Maoming Road (S), Shanghai 200020, China  
Tel: <86> (21) 6472-1001, Fax: <86> (21) 6415-2952

#### **Renesas Technology Singapore Pte. Ltd.**

1 Harbour Front Avenue, #06-10, Keppel Bay Tower, Singapore 098632  
Tel: <65> 6213-0200, Fax: <65> 6278-8001

#### **Renesas Technology Korea Co., Ltd.**

Kukje Center Bldg. 18th Fl., 191, 2-ka, Hangang-ro, Yongsan-ku, Seoul 140-702, Korea  
Tel: <82> 2-796-3115, Fax: <82> 2-796-2145

#### **Renesas Technology Malaysia Sdn. Bhd.**

Unit 906, Block B, Menara Amcorp, Amcorp Trade Centre, No.18, Jalan Persiaran Barat, 46050 Petaling Jaya, Selangor Darul Ehsan, Malaysia  
Tel: <603> 7955-9390, Fax: <603> 7955-9510