

SPECIFICATION FOR APPROVAL

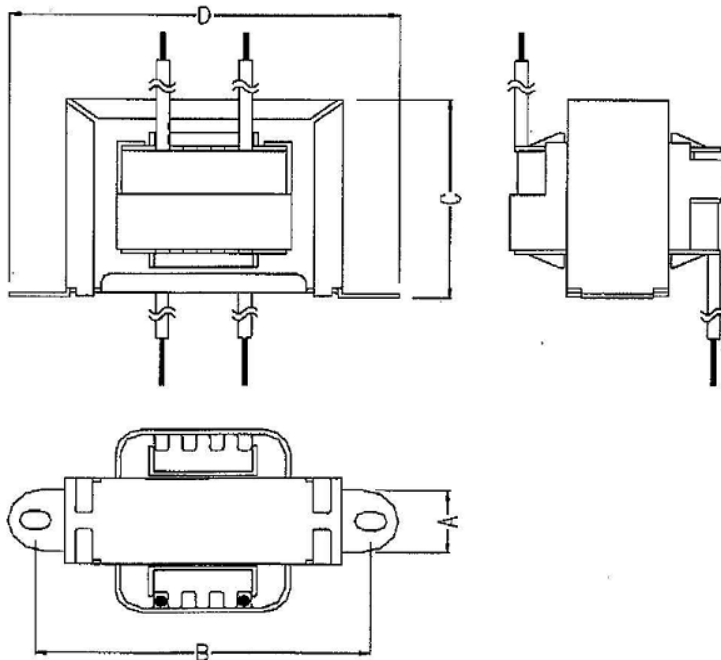
Product Name	Power Transformers - Bracket UL Type (Lead Free)	Page	1
Superworld Part No:	SP-XXA (F) Series	Rev No	0

Features

1. Core sizes from EI-35 to 66
2. Hi-pot 1.5KV, 2.5KV
3. Only raw materials that are listed by UL, CSA standards are used.
4. Impregnated / Varnished
5. Single or dual primaries designed.
6. All types of bobbins are available.
7. Customer variations and specifications are welcome.

Model	Output	Appearance Dimensions (Unit : mm)			
	Rating	A	B	C	D
SP-35A	2VA	16.5	44.5	33.0	53.0
SP-41A	5.5VA	23.0	51.0	37.0	61.0
SP-48A	8.5VA	23.0	61.0	44.0	67.0
SP-57A	13VA	28.0	71.5	51.0	80.0
SP-66A	25VA	28.0	80.0	58.0	90.0

Mechanical Drawing



RoHS Compliant



SUPERWORLD ELECTRONICS (S) PTE LTD