



### Features

- Compliant with OC48/STM-16 Standards
- Single 3.3V Supply
- 40km Reach
- 15dB Minimum, 19.5 typical Link Budget
- Commercial Temperature Available (-CxFA)
- Reduced Industrial Temperature Available (-RxFA)
- Industrial Temperature Available (-IxFA)
- 1550nm DFB Laser
- SFP MSA SFF-8074i Compliant
- GR 253/STM G.957 Compliant
- Digital Diagnostic SFF-8472 Compliant
- Telcordia GR-468 Compliant
- Color Coded Bail Latch Tube: Red
- RoHS Compliant

**Table 1 – General Operating**

Parameter	Symbol	Min.	Typical	Max.	Unit	Notes
Supply Voltage	Vcc	3.135	3.3	3.465	V	
Total Current	Icc	-	-	300	mA	
Power Supply Noise Rejection	PSR	100	-	-	mVp-p	1
Operating Temperature (-CxFA)	T <sub>op</sub>	-5	-	70	°C	
Operating Temperature (-RxFA)	T <sub>op</sub>	-20	-	85	°C	
Operating Temperature (-IxFA)	T <sub>op</sub>	-40	-	85	°C	
Storage Temperature	T <sub>st</sub>	-40	-	85	°C	
Data Rate OC48/STM-16	DR	-	2488.32	-	Mbps	

Note 1: 20Hz to 155MHz

**Table 2 – Transmitter Specifications (Optical)**

Parameter	Symbol	Min.	Typical	Max.	Unit	Notes
Optical Power	P <sub>op</sub>	-5	-2.5	0	dBm	
Average Launch Power Tx_Off	P <sub>off</sub>	-	-	-45	dBm	
Extinction Ratio	ER	8.2	-	-	dB	
Eye Mask		SONET/SDH compliant				
Optical Jitter Generation	J <sub>gen</sub>	-	-	0.007	UI	
Optical Rise/Fall Time	t <sub>r</sub> /t <sub>f</sub>	-	-	160	ps	2
Mean Wavelength	λ	1430	1550	1580	nm	
Spectral Width (20dB)	Δλ	-	-	1	nm	
Dispersion Penalty (40km)	dp	-	0.5	1	dB	3
Relative Intensity Noise	RIN	-	-	-120	dB/Hz	
Reflectance Tolerance	rp	-27	-	-	dB	4

Note 2: 20%~80% values

Note 3: Measured at BER of  $1E^{-10}$ , PRBS of  $2^{23}-1$ , at eye center

Note 4: 1dB degradation of receiver sensitivity

**Table 3 – Transmitter Specifications (Electrical)**

Parameter	Symbol	Min.	Typical	Max.	Unit	Notes
Input Differential Impedence	$R_{in}$	80	100	120	$\Omega$	
PECL Single Ended Data Input Swing	$V_{in, p-p}$	250	-	1200	mV	
TxFault_Fault	$V_{fault}$	2	-	Vcc	V	
TxFault_Normal	$V_{normal}$	Vee	-	Vee + 0.5	V	
TxDisable_Disable	$V_d$	2	-	Vcc	V	
TxDisable_Enable	$V_{en}$	Vee	-	Vee + 0.8	V	

**Table 4 – Receiver Specifications (Optical)**

Parameter	Symbol	Min.	Typical	Max.	Unit	Notes
Receiver Power Low	$R_{sens,low}$	-	-22	-20	dBm	5
Receiver Power High	$R_{sens,high}$	0	-	-	dBm	
Damage Threshold For Receiver	$P_{in, damage}$	4	-	-	dBm	
Wavelength	$\lambda$	1430	1550	1580	nm	6
Maximum Reflectance of Receiver	$RX_r$	-	-	-27	dB	
LOS Assert	-	-30	-	-	dBm	
LOS De-Assert	-	-	-	-20	dBm	
LOS Hysteresis	-	0.5	-	-	dB	

Note 3: At  $10^{-10}$  BER, PRBS of  $2^{23}-1$

Note 4: Operational over 1200 to 1625nm range

**Table 5 – Receiver Specifications (Electrical)**

Parameter	Symbol	Min.	Typical	Max.	Unit	Notes
PECL Single Ended Data Output Swing	$V_{out,p-p}$	185	-	800	mV	
Data Output Rise/Fall Time	$t_r/t_f$	-	-	175	ps	

**Table 6 – Timing and Electrical**

Parameter	Symbol	Min.	Typical	Max.	Unit	Notes
Tx Disable Negate Time	t_on	-	-	1	ms	
Tx Disable Assert Time	t_off	-	-	10	µs	
Time to Initialize, Including Reset of Tx Fault	t_init	-	-	300	ms	
Tx Fault Assert Time	t_fault	-	-	100	µs	
Tx Disable to Reset	t_reset	10	-	-	µs	
LOS Assert Time	t_loss_on	-	-	100	µs	
LOS De-Assert Time	t_loss_off	-	-	100	µs	
Serial ID Clock Rate	f_serial_clock	-	-	100	kHz	
RX_LOS Voltage (High)	Rx_LOS <sub>H</sub>	2	-	-	V	
RX_LOS Voltage (Low)	Rx_LOS <sub>L</sub>	-	-	0.8	V	
LOS Output Voltage-Fault	V <sub>LOS</sub> fault	2	-	V <sub>cc</sub>	V	
LOS Output Voltage-Normal	V <sub>LOS</sub> normal	V <sub>ee</sub>	-	V <sub>ee</sub> + 0.5	V	
MOD_DEF (0:2)-High	V <sub>H</sub>	2	-	V <sub>cc</sub>	V	
MOD_DEF (0:2)-Low	V <sub>L</sub>	V <sub>ee</sub>	-	V <sub>ee</sub> + 0.5	V	

**Table 7 – Diagnostics**

Parameter	Range	Accuracy	Unit	Calibration	Formula
Temperature(-CDFA)	-5 to 70	±3	°C	External	Tc(C) = Tslope*Tad(16 bit signed twos complement value) + Toffset
Temperature(-RDFA)	-20 to 85	±3	°C	External	Tc(C) = Tslope*Tad(16 bit signed twos complement value) + Toffset
Temperature(-IDFA)	-40 to 85	±3	°C	External	Tc(C) = Tslope*Tad(16 bit signed twos complement value) + Toffset
Voltage	0 to Vcc	0.1	V	External	V(Volts) = Vslope*Vad (16 bit unsigned integer) + Voffset
Bias Current	0 to 120	5	mA	External	I(mA) = Islope * Iad(16 bit unsigned integer) + Ioffset
Tx Power	-5 to 0	±3	dBm	External	Tx_PWR(µW) = Tx_PWRslope*Tx_PWRad (16 bit unsigned integer)+Tx_PWRoffset
Rx Power	-20 to 0	±3	dBm	External	Rx_PWR(µW) = A0+A1*x+A2*x^2+A3*x^3+A4*x^4

**Table 8 – EEPROM Serial ID (A0h)**

Name of Field	Description of Field	Address	Hex	ASCII
Identifier	Type of serial transceiver	0	03	
Ext. Identifier	Extended identifier of type of serial transceiver	1	04	
Connector	Code for connector type	2	07	
Transceiver	Code for electronic compatibility or optical compatibility	3	00	
		4	0A	
		5	00	
		6	00	
		7	00	
		8	00	
		9	00	
10	00			
Encoding	Code for serial encoding algorithm	11	05	
BR.Nominal	Units of 100 MBits/sec.	12	19	
Reserved	Reserved	13	00	
Length (9µm,km)	9/125 µm fiber, units of km	14	28	
Length (9µm)	9/125 µm fiber, units of 100 m	15	FF	
Length (50µm)	50/125 µm fiber, units of 10 m	16	00	
Length (62.5µm)	62.5/125 µm fiber, units of 10 m	17	00	
Length (Copper)	Units of meters	18	00	
Reserved	Reserved	19	00	
Vendor Name	SFP vendor name (ASCII)	20	53	S
		21	4F	O
		22	55	U
		23	52	R
		24	43	C
		25	45	E
		26	50	P
		27	48	H
		28	4F	O
		29	54	T
		30	4F	O
		31	4E	N
		32	49	I
		33	43	C
		34	53	S
35	20	[Space]		

**Table 8 – EEPROM Serial ID (A0h)**

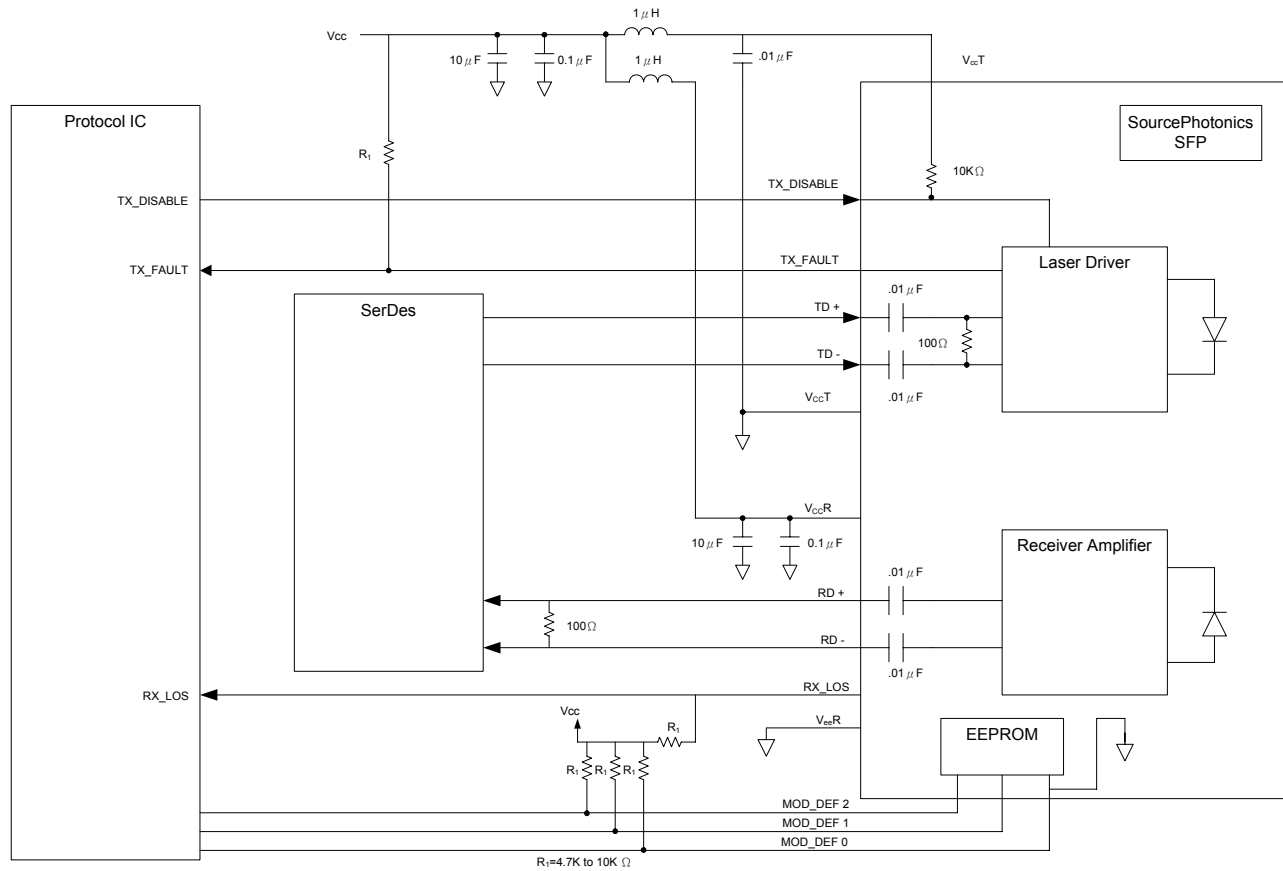
Name of Field	Description of Field	Address	Hex	ASCII
Reserved	Reserved	36	00	
Vendor OUI	IEEE vendor OUI code for Source Photonics Inc.	37	00	
		38	1F	
		39	22	
Vendor P/N	Part number in ASCII, e.g. SP48IR2CDFA	40	53	S
		41	50	P
		42	34	4
		43	38	8
		44	49	I
		45	52	R
		46	32	2
		47	43	C
		48	44	D
		49	46	F
		50	41	A
		51	20	[Space]
		52	20	[Space]
Vendor Rev.	Revision level for part number provide by vendor (ASCII)	56	41	A
		57	20	[Space]
		58	20	[Space]
		59	20	[Space]
Wavelength	1550nm	60	06	
		61	0E	
Reserved	Reserved	62	00	
CC_BASE	Check code for Base ID Fields (addresses 0 to 62)	63	xx	
Options	Indicates which optional transceiver signals are implemented	64	00	
		65	1A	

**Table 8 – EEPROM Serial ID (A0h)**

Name of Field	Description of Field	Address	Hex	ASCII
BR, max	Upper bit rate margin, unit of %	66	00	
BR, min	Lower bit rate margin, unit of %	67	00	
Vendor S/N	Serial number	68-83	xx	
Date Code	Vendor's manufacturing date code	84-91	xx	
Diagnostic Monitoring Type	Indicates which type of diagnostic monitoring is implemented in the transceiver	92	58	
Enhanced Options	Indicates which optional enhanced features are implemented in the transceiver	93	B0	
SFF-8472 Compliance	Indicates which revision of SFF-8472 the transceiver complies with	94	02	
CC_EXT	Check code for Extended ID Fields (addresses 64 to 94)	95	xx	

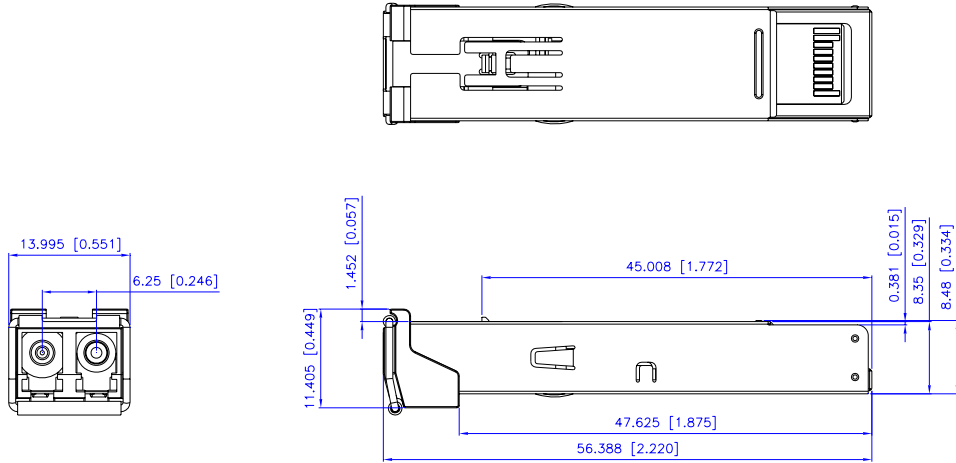
**Table 9 – Pin Definitions**

Pin	Unit	Notes
1	VeeT	TX GND
2	TX_FAULT	Open Collector
3	TX_DISABLE	Internally Pulled High
4	MOD_DEF2	Serial Data Input
5	MOD_DEF1	Serial Clock Input
6	MOD_DEF0	Internally Grounded
7	NC	Not Connected
8	LOS	Open Collector
9	VeeR	RX Ground
10	VeeR	RX Ground
11	VeeR	RX Ground
12	RXD-	RX Data Negative
13	RXD+	RX Data Positive
14	VeeR	RX GND
15	VCCR	RX Power
16	VCCT	TX Power
17	VeeT	TX GND
18	TXD+	TX Data Positive
19	TXD-	TX Data Negative
20	VeeT	TX GND

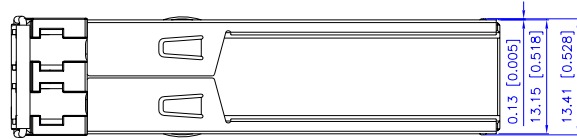
**Recommended Interface Circuit**




**Mechanical Diagram**



Units in mm(inch)

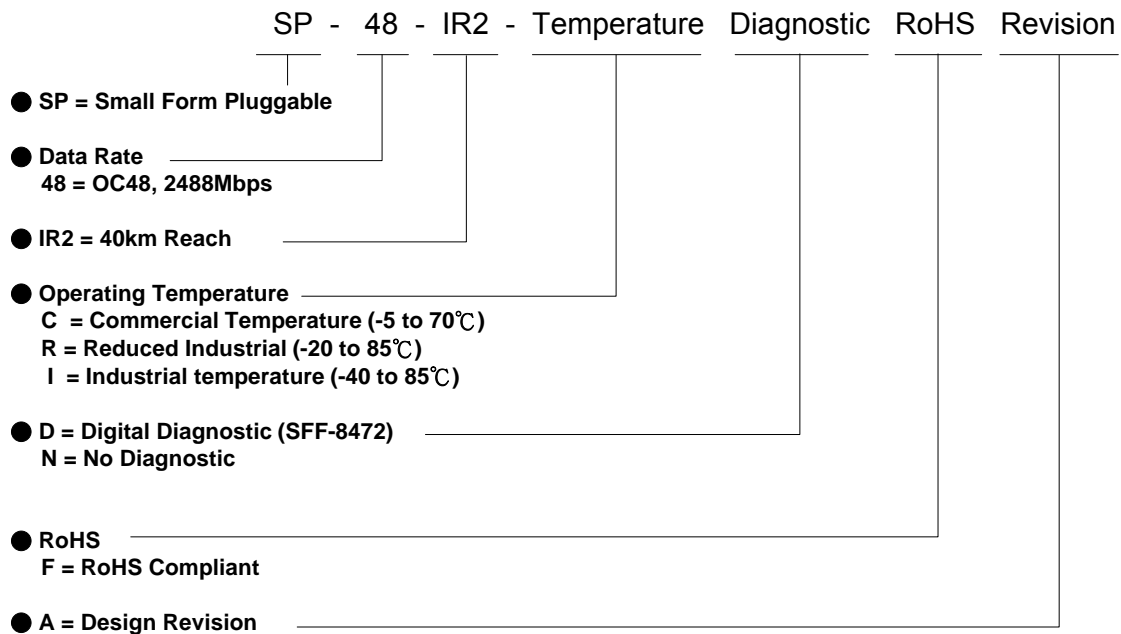


## Order Information

Table 10 – Order Information

Part No.
SP-48-IR2-CNFA
SP-48-IR2-CDFA
SP-48-IR2-RNFA
SP-48-IR2-RDFA
SP-48-IR2-INFA
SP-48-IR2-IDFA

### Part Numbering Definition:



## Warnings

**Handling Precautions:** This device is susceptible to damage as a result of electrostatic discharge (ESD). A static free environment is highly recommended. Follow guidelines according to proper ESD procedures.

**Laser Safety:** Radiation emitted by laser devices can be dangerous to human eyes. Avoid eye exposure to direct or indirect radiation.

## Legal Notice

### IMPORTANT NOTICE!

All information contained in this document is subject to change without notice, at Source Photonics' sole and absolute discretion. Source Photonics warrants performance of its products to current specifications only in accordance with the company's standard one-year warranty; however, specifications designated as "preliminary" are given to describe components only, and Source Photonics expressly disclaims any and all warranties for said products, including express, implied, and statutory warranties, warranties of merchantability, fitness for a particular purpose, and non-infringement of proprietary rights. Please refer to the company's Terms and Conditions of Sale for further warranty information.

Source Photonics assumes no liability for applications assistance, customer product design, software performance, or infringement of patents, services, or intellectual property described herein. No license, either express or implied, is granted under any patent right, copyright, or intellectual property right, and Source Photonics makes no representations or warranties that the product(s) described herein are free from patent, copyright, or intellectual property rights. Products described in this document are NOT intended for use in implantation or other life support applications where malfunction may result in injury or death to persons. Source Photonics customers using or selling products for use in such applications do so at their own risk and agree to fully defend and indemnify Source Photonics for any damages resulting from such use or sale.

THE INFORMATION CONTAINED IN THIS DOCUMENT IS PROVIDED ON AN "AS IS" BASIS. Customer agrees that Source Photonics is not liable for any actual, consequential, exemplary, or other damages arising directly or indirectly from any use of the information contained in this document. Customer must contact Source Photonics to obtain the latest version of this publication to verify, before placing any order, that the information contained herein is current.

## Contact

### U.S.A. Headquarters

20550 Nordhoff Street  
Chatsworth, CA 91311  
USA  
Tel: +1-818-773-9044  
Fax: +1-818-773-0261  
[sales@sourcephotonics.com](mailto:sales@sourcephotonics.com)

### China

Building #2&5, West Export Processing Zone  
No. 8 Kexin Road, Hi-Tech Zone  
Chengdu, 611731, China  
Tel: +86-28-8795-8788  
Fax: +86-28-8795-8789  
[sales@sourcephotonics.com.cn](mailto:sales@sourcephotonics.com.cn)

### Taiwan

9F, No 81, Shui Lee Rd.  
Hsinchu, 300, Taiwan  
R.O.C.  
Tel: +886-3-5169222  
Fax: +886-3-5169213  
[sales@sourcephotonics.com.tw](mailto:sales@sourcephotonics.com.tw)

© Copyright Source Photonics, Inc. 2007~2008

All rights reserved