



## ST763A series

### 3.3V Step down current mode PWM DC-DC converters

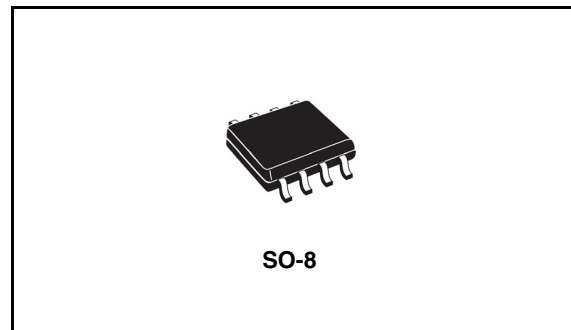
#### Features

- Output voltage 3.3V
- Supply voltage range from 3.3V to 11V
- Guaranteed output current: 500mA
- Typical operation frequency: 200KHz
- Very low quiescent current: 0.6mA on mode 0.2 $\mu$ A OFF MODE
- Switch ON/OFF control
- Typical efficiency: 90%
- Operating temperature range: -40°C to 85°C
- Available in SO-8 package

#### Description

The ST763A is a step-down switching regulator. It operates from 3.3V to 11V giving a fixed 3.3V output voltage, delivering up to 500mA. The main features are typical efficiency of 90%, quiescent current of 0.6mA, and only 0.2 $\mu$ A in shut-down.

The PWM current mode control provides precise output regulation and very good transient response. Output voltage accuracy is guaranteed to be  $\pm 5\%$  over line, load and temperature



variations. A minimum number of external components is used and the fixed frequency switching allows easy filtering of output ripple and noise.

Other features of this device are cycle-by-cycle current limiting, overcurrent limiting, under voltage lockout and programmable soft-start protection.

A 22 $\mu$ H inductor works in most applications, so no sophisticated design is necessary.

Package available is SO-8.

Typical application are in 5V to 3.3V converters, cellular phones, portable instruments, hand-held computers, and peripherals.

#### Order code

Part number	Packaging
ST763AC	ST763ACDTR

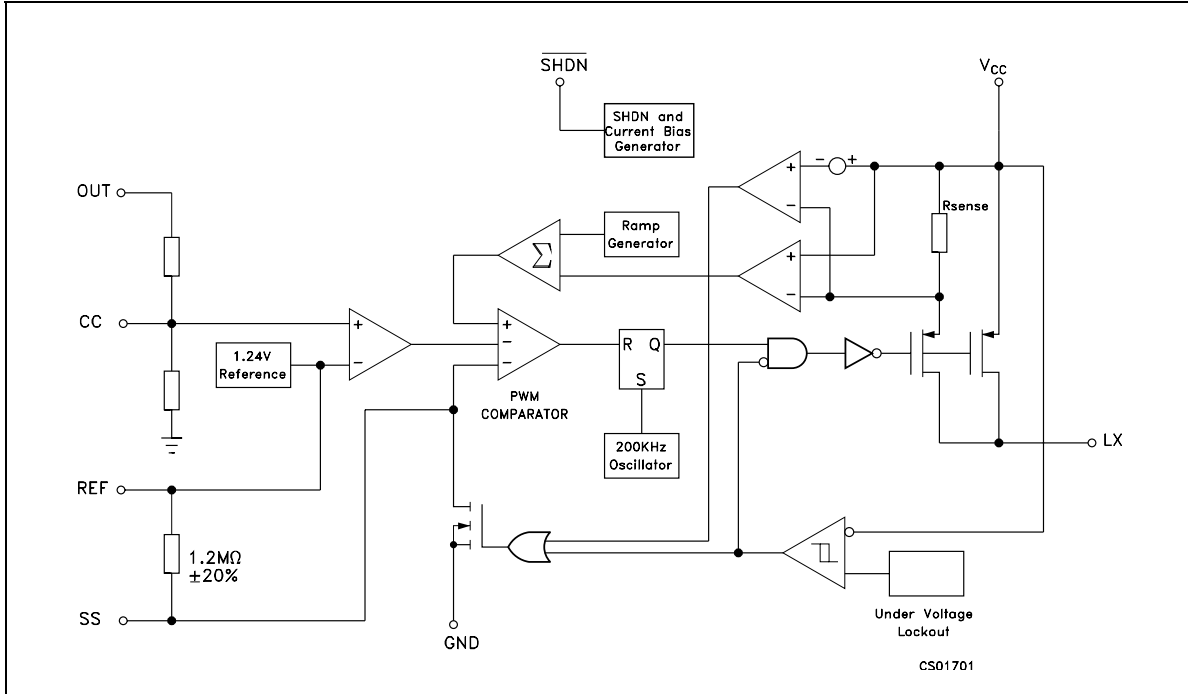
---

## Contents

1	Diagram .....	3
2	Pin configuration .....	4
3	Maximum ratings .....	5
4	Typical application .....	6
5	Electrical characteristics .....	7
6	Typical performance characteristics .....	8
7	Package mechanical data .....	10
8	Revision history .....	13

# 1 Diagram

Figure 1. Schematic diagram



## 2 Pin configuration

Figure 2. Pin connections (top view)

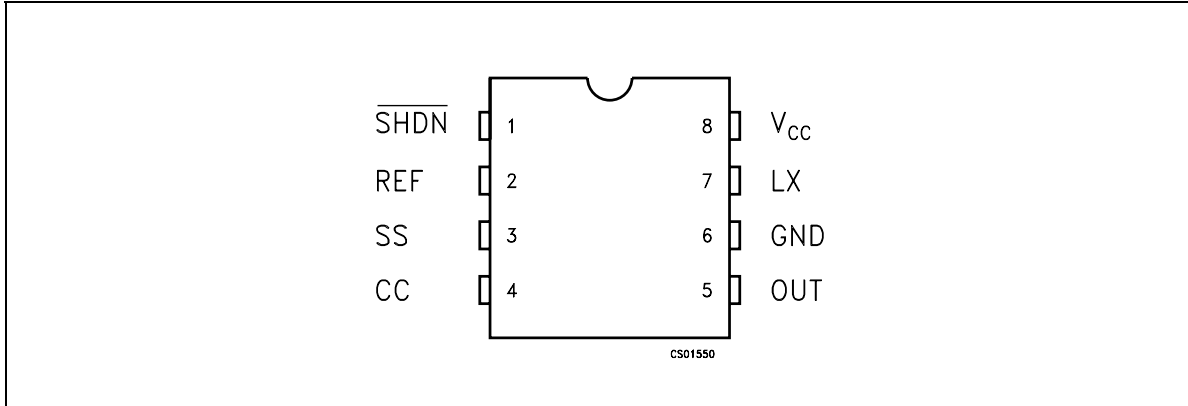


Table 1. Pin description

Pin N°	Symbol	Name and function
1	$\overline{\text{SHDN}}$	Shutdown control (active low): If connected to GND the IC is in shutdown. Connect to $V_{CC}$ for normal operation (ON MODE).
2	REF	Reference output voltage: (1.25V): Bypass to GND with 47nF capacitor.
3	SS	Soft start: a capacitor between SS and GND provides soft-start and short-circuit protections.
4	CC	Compensation capacitor input: externally compensates the outer (voltage) feedback loop. Connect to OUT with 330pF capacitor
5	OUT	Output voltage sense input: provides regulation of feedback sensing. Connect to 3.3V output.
6	GND	Ground
7	LX	Switch output. Drain of internal P-channel power MOSFET
8	$V_{CC}$	Supply voltage input. Bypass to GND with 1 $\mu$ F ceramic capacitance and large value electrolytic capacitor in parallel. The 1 $\mu$ F capacitor must be as close as possible to the GND and $V_{CC}$ pins.

### 3 Maximum ratings

**Table 2. Absolute maximum ratings**

Symbol	Parameter		Value	Unit
$V_{CC}$	DC input voltage		-0.3 to 12	V
$V_{LX}$	Switch pin voltage		-0.3 to ( $V_{CC} + 0.3$ )	V
$V_{SHDN}$	Shutdown voltage (SHDN)		-0.3 to ( $V_{CC} + 0.3$ )	V
$V_S, V_C$	Soft start (SS) and compensation capacitor (CC) pins voltage		-0.3 to ( $V_{CC} + 0.3$ )	V
$I_{LX}$	Switching peak current		2	A
$I_{REF}$	Reference current		2.5	mA
$P_{TOT}$	Continuous power dissipation at $T_A = 70^\circ\text{C}$	SO-8	344	mW
$T_{stg}$	Storage temperature range		-40 to +150	$^\circ\text{C}$
$T_{op}$	Operating junction temperature range	AC series	0 to +70	$^\circ\text{C}$

*Note: Absolute Maximum Ratings are those values beyond which damage to the device may occur. Functional operation under these condition is not implied*

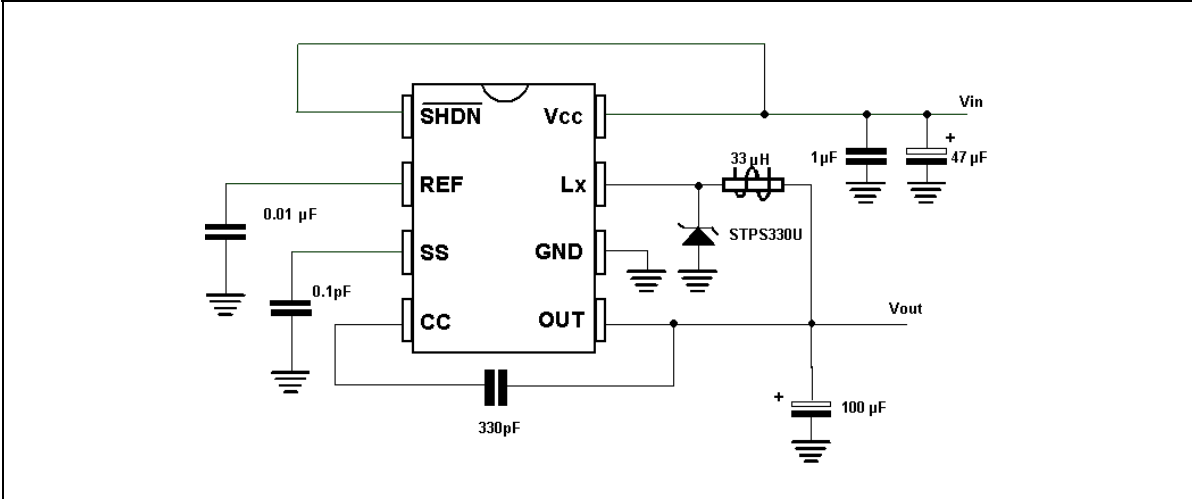
**Table 3. Thermal data**

Symbol	Parameter	SO-8	Unit
$R_{thJA}$	Thermal resistance junction-ambient <sup>(1)</sup>	160	$^\circ\text{C}/\text{W}$

1. This value depends from thermal design of PCB on which the device is mounted.

# 4 Typical application

Figure 3. Application circuit



## 5 Electrical characteristics

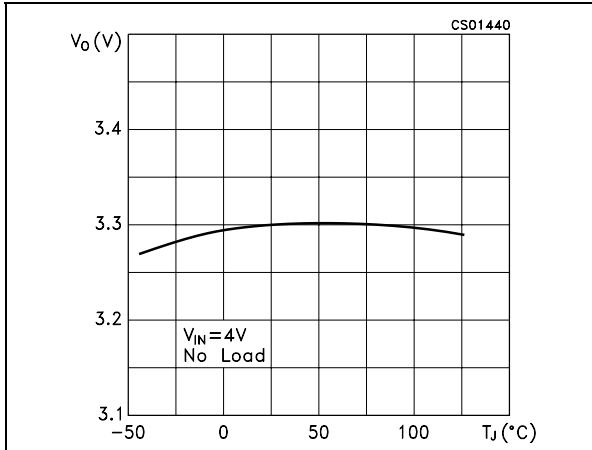
**Table 4. Electrical characteristics**  
( $V_{CC} = 5V$ ,  $I_O = 0mA$ ,  $T_A = T_{MIN}$  to  $T_{MAX}$ , unless otherwise specified).

Symbol	Parameter	Test conditions	Min.	Typ.	Max.	Unit
$V_{CC}$	Input voltage		3.3		11	V
$V_O$	Output voltage	$V_{CC} = 4$ to $11V$ , $I_O = 0$ to $300mA$	3.135	3.3	3.465	V
		$V_{CC} = 4.75$ to $11V$ , $I_O = 0$ to $500mA$	3.135	3.3	3.465	V
$\Delta V_O$	Line regulation			0.13		%/V
$\Delta V_O$	Load regulation	$I_O = 0$ to $500mA$		0.005		%/mA
$\eta$	Power efficiency	$I_O = 300mA$		88		%
		$I_O = 100mA$		90		
$I_{SUPPLY}$	Supply current	ON Mode (Including switch current)		0.6	2.5	mA
		OFF Mode		0.2	100	$\mu A$
$V_{IH}$	SHDN Input high threshold		2			V
$V_{IL}$	SHDN Input low threshold				0.25	V
$I_{SHDN}$	Shutdown input leakage current				1	$\mu A$
$V_{LOCK}$	Under voltage lockout	$V_{CC}$ Falling		2.7	3	V
$R_{DS(on)}$	LX On resistance	$I_{LX} = 500mA$		1		$\Omega$
$I_{LEAK}$	LX Leakage current	$V_{CC} = 12V$ , $V_{LX} = 0V$		10		nA
$V_{REF}$	Reference voltage	$T_A = 25^\circ C$	1.18	1.25	1.32	V
$\Delta V_{REF}$	Temperature reference drift	$T_A = T_{MIN}$ to $T_{MAX}$		50		ppm/ $^\circ C$
$f_{OSC}$	Switching frequency	$T_A = 25^\circ C$	159	200	212.5	KHz
$R_C$	Compensation pin impedance			7500		$\Omega$

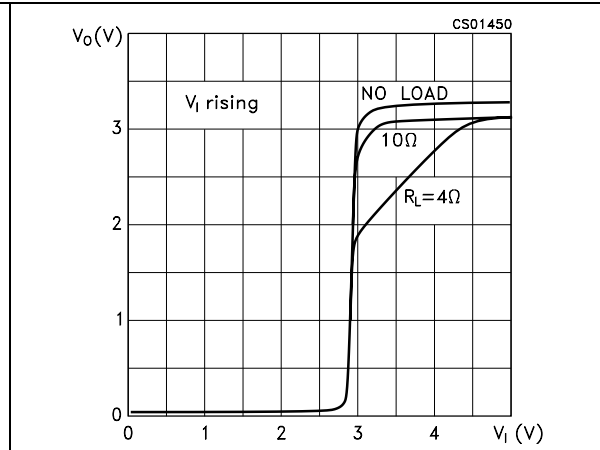
## 6 Typical performance characteristics

(Unless otherwise specified  $T_J = 25^\circ\text{C}$ )

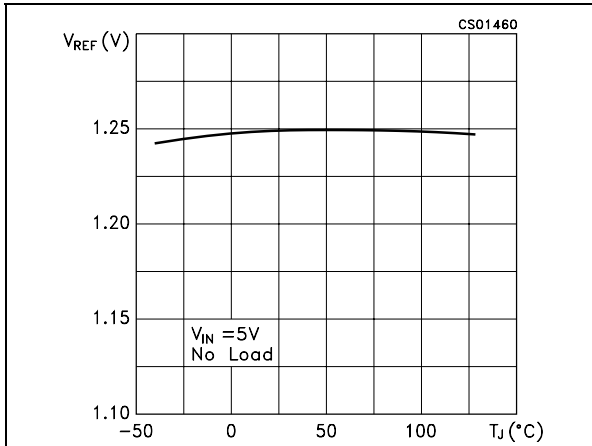
**Figure 4. Output voltage vs temperature**



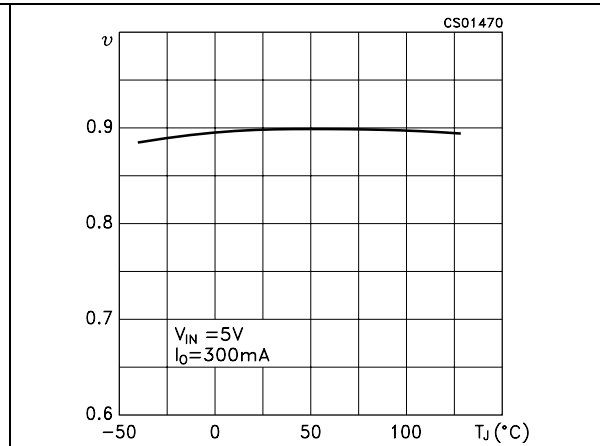
**Figure 5. Output voltage vs input voltage**



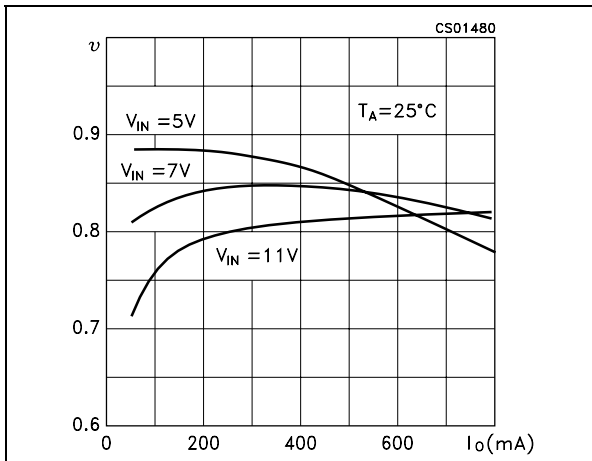
**Figure 6. Reference voltage vs temperature**



**Figure 7. Efficiency vs temperature**



**Figure 8. Efficiency vs output current**



**Figure 9. LX leakage current vs temperature**

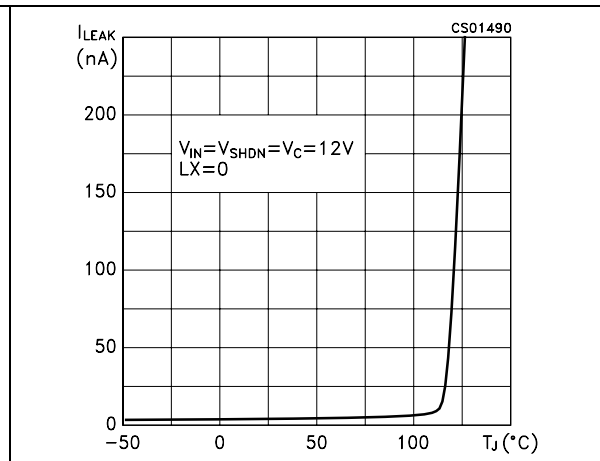




Figure 10. LX ON Resistance vs temperature

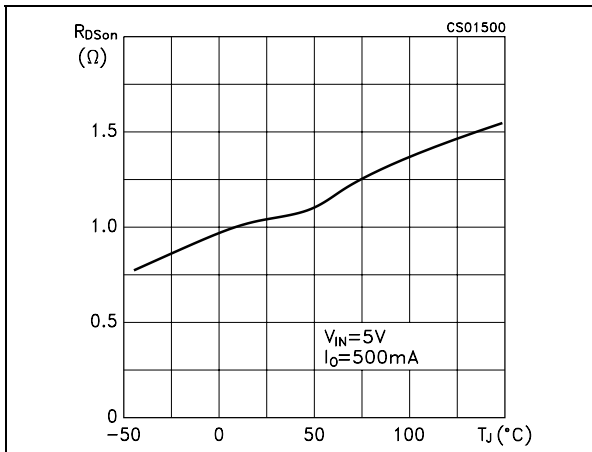


Figure 11. Shutdown input threshold vs temperature

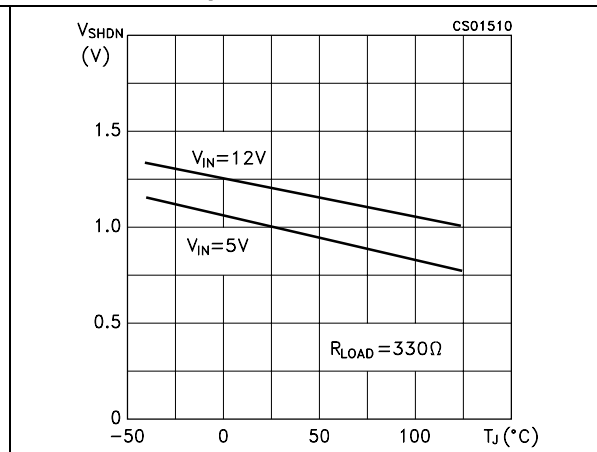


Figure 12. Shutdown input leakage current vs temperature

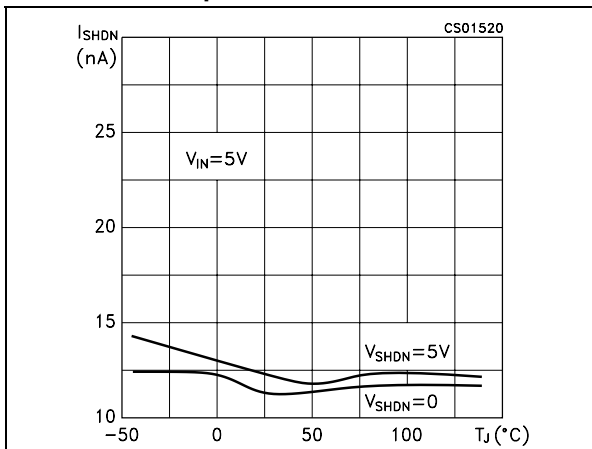


Figure 13. Oscillator frequency vs temperature

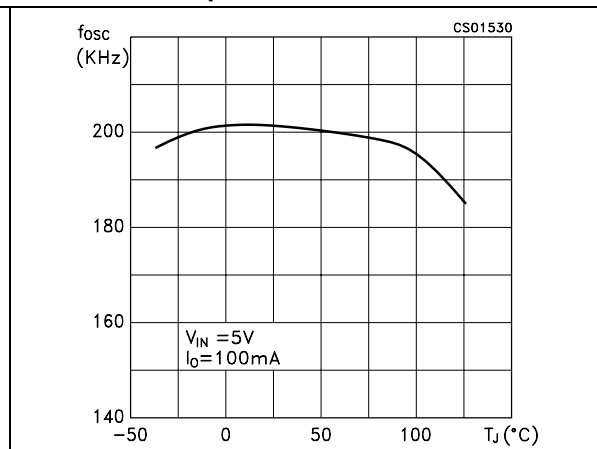


Figure 14. Oscillator frequency vs input voltage

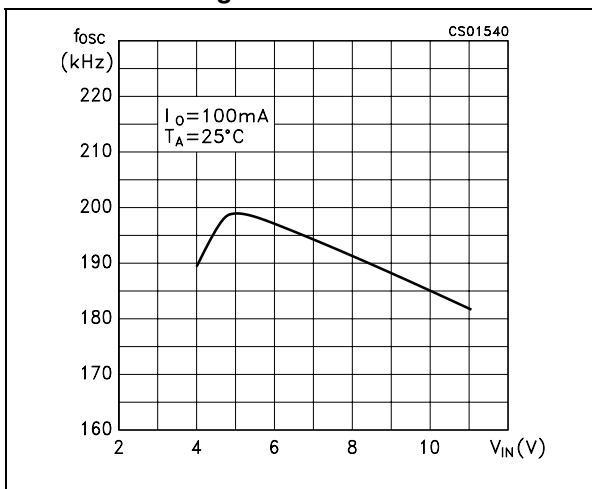
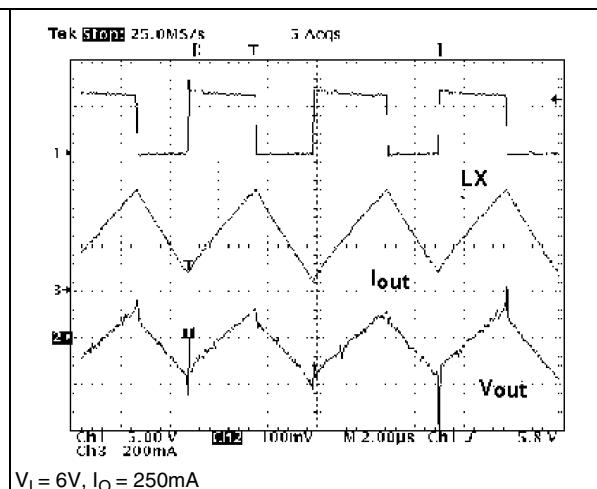


Figure 15. Switching waveform, continuous conduction

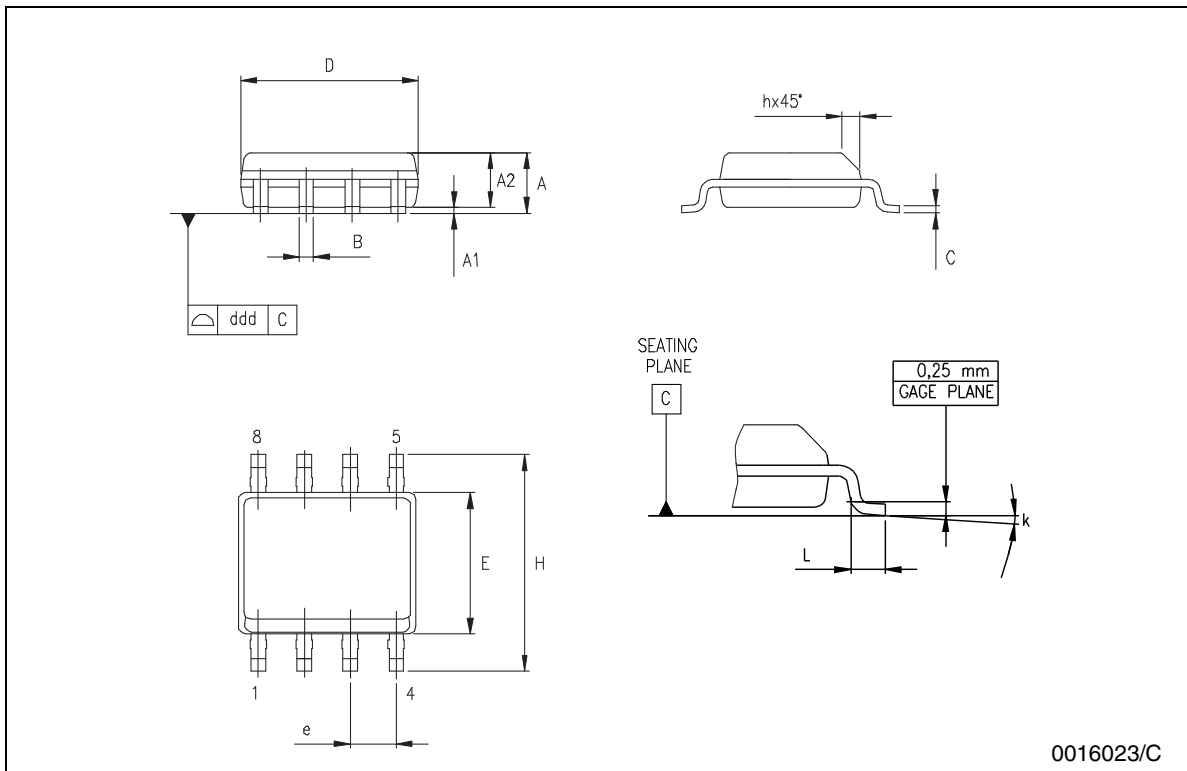


## 7 Package mechanical data

In order to meet environmental requirements, ST offers these devices in ECOPACK<sup>®</sup> packages. These packages have a Lead-free second level interconnect. The category of second Level Interconnect is marked on the package and on the inner box label, in compliance with JEDEC Standard JESD97. The maximum ratings related to soldering conditions are also marked on the inner box label. ECOPACK is an ST trademark. ECOPACK specifications are available at: [www.st.com](http://www.st.com).

**SO-8 MECHANICAL DATA**

DIM.	mm.			inch		
	MIN.	TYP	MAX.	MIN.	TYP.	MAX.
A	1.35		1.75	0.053		0.069
A1	0.10		0.25	0.04		0.010
A2	1.10		1.65	0.043		0.065
B	0.33		0.51	0.013		0.020
C	0.19		0.25	0.007		0.010
D	4.80		5.00	0.189		0.197
E	3.80		4.00	0.150		0.157
e		1.27			0.050	
H	5.80		6.20	0.228		0.244
h	0.25		0.50	0.010		0.020
L	0.40		1.27	0.016		0.050
k	8° (max.)					
ddd			0.1			0.04

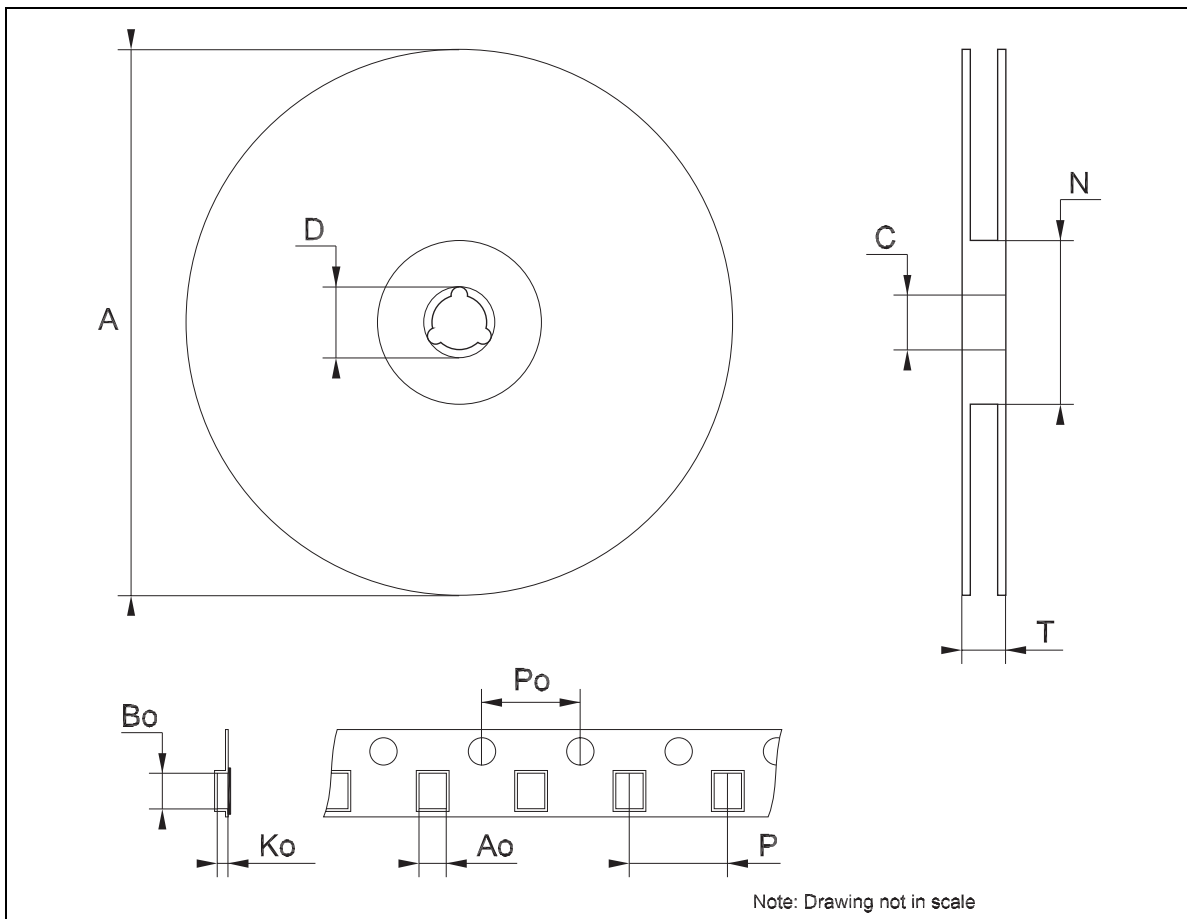


0016023/C



**Tape & Reel SO-8 MECHANICAL DATA**

DIM.	mm.			inch		
	MIN.	TYP	MAX.	MIN.	TYP.	MAX.
A			330			12.992
C	12.8		13.2	0.504		0.519
D	20.2			0.795		
N	60			2.362		
T			22.4			0.882
Ao	8.1		8.5	0.319		0.335
Bo	5.5		5.9	0.216		0.232
Ko	2.1		2.3	0.082		0.090
Po	3.9		4.1	0.153		0.161
P	7.9		8.1	0.311		0.319



## 8 Revision history

Table 5. Revision history

Date	Revision	Changes
26-May-2006	2	Add T <sub>A</sub> row f <sub>OSC</sub> on table 4 and new template.
29-May-2007	3	Order code has been updated.

**Please Read Carefully:**

Information in this document is provided solely in connection with ST products. STMicroelectronics NV and its subsidiaries ("ST") reserve the right to make changes, corrections, modifications or improvements, to this document, and the products and services described herein at any time, without notice.

All ST products are sold pursuant to ST's terms and conditions of sale.

Purchasers are solely responsible for the choice, selection and use of the ST products and services described herein, and ST assumes no liability whatsoever relating to the choice, selection or use of the ST products and services described herein.

No license, express or implied, by estoppel or otherwise, to any intellectual property rights is granted under this document. If any part of this document refers to any third party products or services it shall not be deemed a license grant by ST for the use of such third party products or services, or any intellectual property contained therein or considered as a warranty covering the use in any manner whatsoever of such third party products or services or any intellectual property contained therein.

**UNLESS OTHERWISE SET FORTH IN ST'S TERMS AND CONDITIONS OF SALE ST DISCLAIMS ANY EXPRESS OR IMPLIED WARRANTY WITH RESPECT TO THE USE AND/OR SALE OF ST PRODUCTS INCLUDING WITHOUT LIMITATION IMPLIED WARRANTIES OF MERCHANTABILITY, FITNESS FOR A PARTICULAR PURPOSE (AND THEIR EQUIVALENTS UNDER THE LAWS OF ANY JURISDICTION), OR INFRINGEMENT OF ANY PATENT, COPYRIGHT OR OTHER INTELLECTUAL PROPERTY RIGHT.**

**UNLESS EXPRESSLY APPROVED IN WRITING BY AN AUTHORIZED REPRESENTATIVE OF ST, ST PRODUCTS ARE NOT DESIGNED, AUTHORIZED OR WARRANTED FOR USE IN MILITARY, AIR CRAFT, SPACE, LIFE SAVING, OR LIFE SUSTAINING APPLICATIONS, NOR IN PRODUCTS OR SYSTEMS, WHERE FAILURE OR MALFUNCTION MAY RESULT IN PERSONAL INJURY, DEATH, OR SEVERE PROPERTY OR ENVIRONMENTAL DAMAGE.**

Resale of ST products with provisions different from the statements and/or technical features set forth in this document shall immediately void any warranty granted by ST for the ST product or service described herein and shall not create or extend in any manner whatsoever, any liability of ST.

ST and the ST logo are trademarks or registered trademarks of ST in various countries.

Information in this document supersedes and replaces all information previously supplied.

The ST logo is a registered trademark of STMicroelectronics. All other names are the property of their respective owners.

© 2007 STMicroelectronics - All rights reserved

STMicroelectronics group of companies

Australia - Belgium - Brazil - Canada - China - Czech Republic - Finland - France - Germany - Hong Kong - India - Israel - Italy - Japan - Malaysia - Malta - Morocco - Singapore - Spain - Sweden - Switzerland - United Kingdom - United States of America

[www.st.com](http://www.st.com)