

**GENERAL DESCRIPTION**

The L1084 is a positive and low dropout three-terminal voltage regulator with 5A output current capability. This device is designed for use in low voltage applications that offers lower dropout voltage and faster transient response.

This device is fully protected against over current faults, over temperature operation, reversed input polarity, reversed lead insertion, transient voltage spike ...etc.

On-Chips trimming the reference voltage to 1% and features the low dropout of maximum 1.45 volts.

The L1084 Series regulators are available in the popular industry standard TO-263 packages.

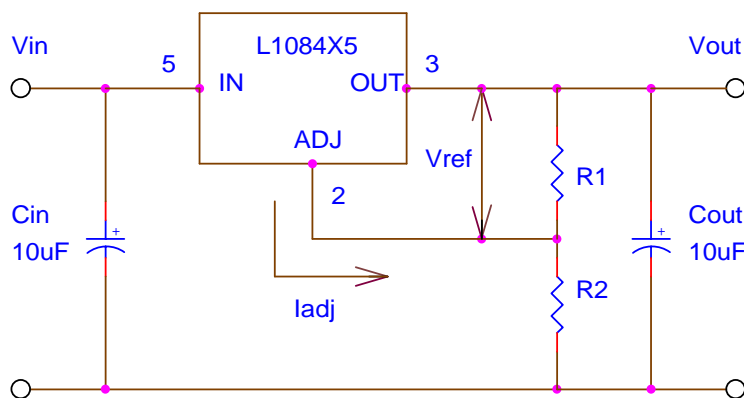
**FEATURES**

- Very easy to use, it requires only two external resistors to set the output voltage
- Low dropout voltage: 1.2V typical at up to 5A
- Low ground current
- Fast transient response
- Current & thermal limiting
- Line regulation: 0.5% typical
- Load regulation: 0.5% typical
- TO-263 packages

**APPLICATIONS**

- High current microprocessor supplies
- Low voltage logic supply
- Powering VGA & sound card
- Portable instrumentation
- Constant current regulator
- Post regulator for switching power supply

**TYPICAL APPLICATION**



$$V_o = V_{ref} (1 + R_2/R_1) + I_{adj} \times R_2$$

1. Cin needed if device is far from filter capacitors.
2. Cout required for stability.

**- Basic Adjustable Regulator Circuit -**

**ABSOLUTE MAXIMUM RATINGS**

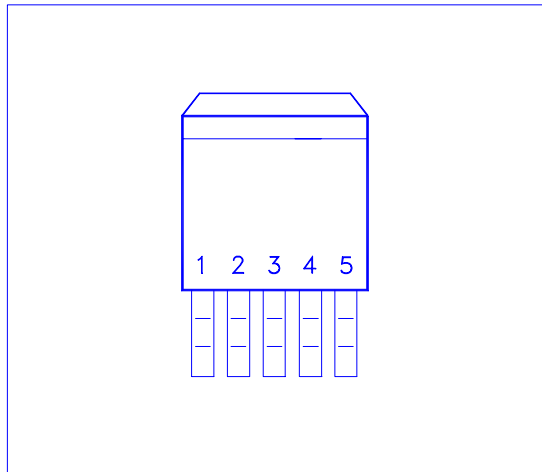
- Maximum Supply Voltage 7V
- Power Dissipation Internally Limited
- Thermal Resistance Junction to Case,  $\theta_{JC}$  2.5 °C/W
- Thermal Resistance Junction to Ambient,  $\theta_{JA}$  TO-263 60 °C/W
- Operating Junction Temperature Range 0 to 125 °C
- Storage Temperature Range -40 to 150 °C
- Lead Temperature (Soldering, 10 Seconds) 260 °C

**ELECTRICAL CHARACTERISTICS** (Unless otherwise specified,  $T_A = 25\text{ °C}$ .)

Parameter	Symbol	Test Conditions	Typical	Limits
Reference Voltage	$V_{REF}$	$V_{IN} = 5V, I_{OUT} = 10mA$	1.25V	1.23V <sub>Min</sub> 1.27V <sub>Max</sub>
Dropout Voltage	$V_D$	$\Delta V_{REF} = 1\%, I_{OUT} = 5A$	1.2V	1.45V
Line Regulation	$REG_{(LINE)}$	$(V_{OUT} + 1.5V) \leq V_{IN} \leq 7V, I_{OUT} = 10mA$	0.5%	2%
Load Regulation	$REG_{(LOAD)}$	$(V_{IN} - V_{OUT}) = 3V, 10mA \leq I_{OUT} \leq 5A$	0.5%	2.5%
Minimum Load Current	$I_O$	$1.5V \leq (V_{IN} - V_{OUT}) \leq 5.75V$	10mA	
Adjust Pin Current	$I_{ADJ}$		55µA	100µA
Current Limit	$I_{CL}$	$V_{IN} - V_{OUT} = 2V$	7.5A	5.0A (Min)
RMS Output Noise	$V_N$		0.003% of $V_{OUT}$	
Ripple Rejection Ratio	$R_A$	$f = 120Hz, C_{ADJ} = 22\mu F$ for ADJ pin, $V_{IN} = 5V, I_{OUT} = 5A$	72dB	60dB (Min)

**DEVICE SELECTION GUIDE**

<b>Device</b>	L1084S5
<b>Package</b>	TO-263 (5-Lead)
<b>Marking</b>	L1084S5

**PIN CONFIGURATIONS**

Pin #	Function
1	NC
2	Adjust
3	Output
4	NC
5	Input

**Note: TAB is Output Pin**

**TO-263 (D<sup>2</sup>PAK, 5-Lead) MECHANICAL DATA**

Dimension	mm			Dimension	mm		
	Min.	Typ.	Max.		Min.	Typ.	Max.
A	14.5	15	15.8	H	1.0	1.5	1.8
B	4.2		4.7	I	9.8		10.3
C	1.20		1.35	J		6.5	
D		2.8		K		1.5	
E	0.3	0.4	0.5	L	0.7	0.85	1.0
F	-0.102		0.203	M	1.57	1.7	1.83
G	8.5	9	9.5	N			

