

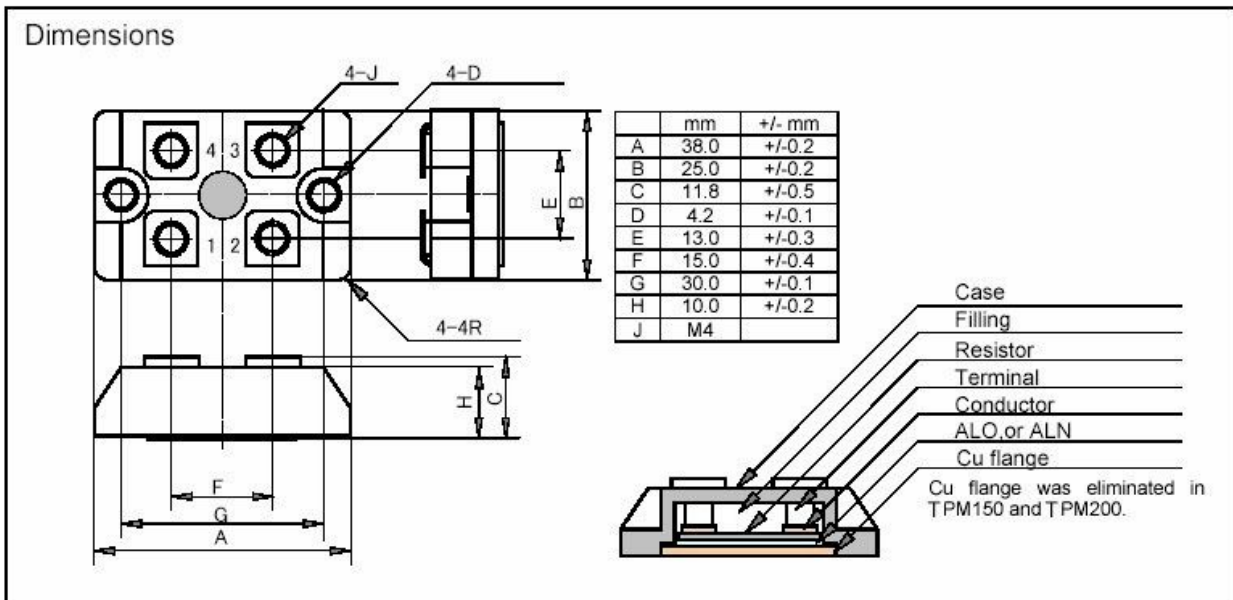
TPM150 TPM250 TPM200  
 TPM300 TPM550 TPM600

Chassis Mounting  
 High Power Resistor

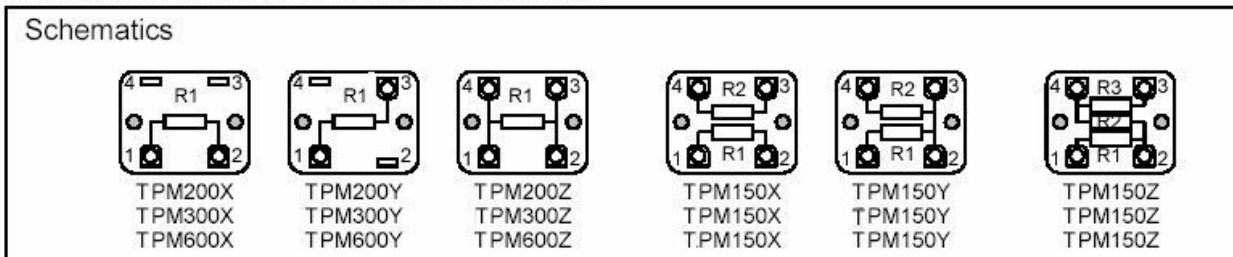


Features and Applications

Small size SOT227, 200W to 600W high power resistor.  
 Install on air-cooled heat sink or water-cooling will be necessary.  
 200W has light weight, 300W is powered by copper metal flange and 600W has well heat conduction ceramics, ALN substrate.  
 RPM series has 6 types of circuit configuration for each customer's applications.  
 M4 screw terminals, very low series inductance make small sized high performance power electronics.  
 Higher density packing, vibration-proof and perfect heat dissipation possible.  
 Applications include snubber resistors for power supplies, gate resistors, pulse generators, high frequency amplifiers, dumping resistance of theater audio equipment.

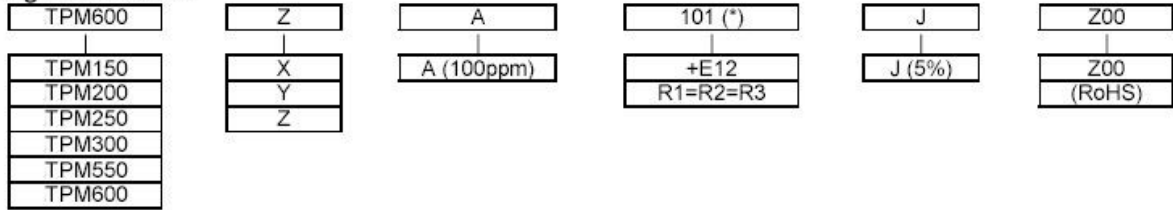


Note: Depth of terminal screw is max 6mm-M4. Screw is not attached.





Ordering Information



Resistance value (\*) is available following modified E12, +E12.

1.0	1.2	1.5	1.8	2.2	2.5	2.7	3.3	3.9	4.7	5.0	5.6	6.8	8.2
-----	-----	-----	-----	-----	-----	-----	-----	-----	-----	-----	-----	-----	-----

Specifications and Performances

	TPM150	TPM250	TPM200	TPM300	Conditions
Rating Power	150 W	250W	200W	300 W	per package
Configuration	XYZ	XYZ	XYZ	XYZ	
Weight	20.0gr	30.0gr	20.0gr	30.0gr	
Thermal Resist.	0.5K/W	0.32 K/W	0.5 K/W	0.32 K/W	
Single or Dual	More than one		One resistor		same resistance, R1= R2= R3
Resistance Range	0.1ohm to 100kohm		0.1ohm to 100kohm		only single Z connection at 0.1-1.0Ω
Resistance	E12+		E12+		additionally, 2.5 and 5.0.
TCR	+/-100 ppm/K(A)		+/-100 ppm/K(A)		for -55 to +120 C, typical >1ohm
Tolerance	+/-5%(J)		+/-5%(J)		1% optional
Operation Temp.	-55 - +155 deg C		-55 - +155 deg C		
Max. Voltage	$E = \sqrt{P \cdot R}$				
Withstanding	2500 VAC				60 seconds.
Load Life	+/-1.0 %				25degC, 90 min.ON, 30min.OFF, 1000h.
Humidity	+/-1.0 %				40degC, 90 to 95%RH, DC0.1W, 1000h.
Tem. Cycle	+/-1.0 %				Note 1
Short Time OL	---				Note 2
Insulation	Over 1000 Meg ohm				between terminals and flange.
Vibration	+/-0.25 %				Note 4
Flammability	UL94V-0				

	TPM550	TPM600	Conditions
Rating Power	600 Watts	600 Watts	per package
Configuration	XYZ	XYZ	
Weight	30.0gr	30.0gr	
Thermal Resist.	0.11 K/W	0.11 K/W	
Single or Dual	More than one		same resistance, R1= R2= R3
Resistance Range	50ohm to 500ohm		50ohm to 1kohm
Resistance	E12+		E12+
TCR	+/-100 ppm/K(A)		+/-100 ppm/K(A)
Tolerance	+/-5%(J)		+/-5%(J)
Operation Temp.	-55 - +155 C		-55 - +155 C
Max. Voltage	$E = \sqrt{P \cdot R}$		
Withstanding	2500 VAC		60 seconds.
Load Life	+/-1.0 %		25deg C, 90 min.ON, 30min.OFF, 1000h.
Humidity	+/-1.0 %		40deg C, 90 to 95%RH, DC0.1W, 1000h.
Temp Cycle	+/-1.0 %		Note 1
Short Time OL	---		Note 2
Insulation	Over 1000 Meg ohm		
Vibration	+/-0.25 %		Note 4
Flammability	UL94V-0		

Note1: -55C, 30 min., +120 deg C 30min., 20cycles.

Note2: Several seconds overload can not be applied.

Note3: Torque: Terminal 1.0Nm max, 0.6Nm recommend. Mounting 1.6Nm max, 1.0Nm recommend.

Performances

