

6.0 mm×3.5 mm Light Touch Switches

Type: **EVQPE**



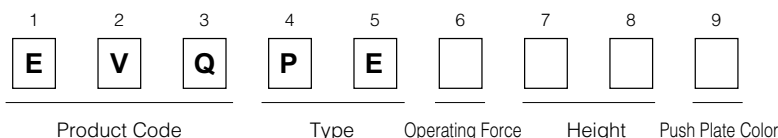
■ Features

- External dimensions : 6.0 mm×3.5 mm, Height 4.3 mm, 5.0 mm
- Wave soldering available

■ Recommended Applications

- Operating switches for other electronic equipment

■ Explanation of Part Numbers



■ Product Chart


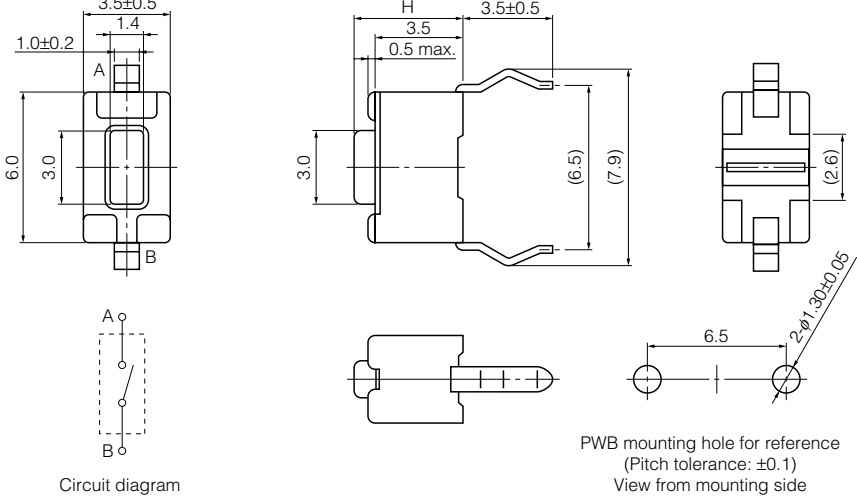
	Type	Bulk Type	Height
Operating Force	1.0 N±0.5 N	EVQPE4	H=4.3 mm H=5.0 mm
	1.6 N±0.5 N	EVQPE5	
	2.4 N±0.6 N	EVQPE6	

■ Specifications

Type	Snap action/Push-on type SPST		
Electrical	Circuit Diagram		
	Rating	10 μA 2 Vdc to 50 mA 12 Vdc (Resistive load)	
	Contact Resistance	100 mΩ max.	
	Insulation Resistance	100 MΩ min. (at 100 Vdc)	
	Dielectric Withstanding Voltage	250 Vac for 1 minute	
	Bouncing	10 ms max. (ON, OFF)	
Mechanical	Operating Force	1.0 N±0.5N (Low force type) 1.6 N±0.5 N (Standard)	2.4 N±0.6 N
	Travel	0.25 mm ^{+0.20} / _{-0.10} mm	
Endurance	Operating Life	50000 cycles min.	30000 cycles min.
Operating Temperature		-30 °C to +85 °C	
Storage Temperature		-40 °C to +85 °C (Bulk) -20 °C to +40 °C (Taping)	
Minimum Quantity/Packing Unit		1000 pcs. Polyethylene Bag (Bulk)	
Quantity/Carton		10000 pcs.	

Design and specifications are each subject to change without notice. Ask factory for the current technical specifications before purchase and/or use. Should a safety concern arise regarding this product, please be sure to contact us immediately.

■ Dimensions in mm (not to scale)

<p>EVQPE4 EVQPE5 EVQPE6</p> <p>(Bulk)</p> 	 <p>Circuit diagram</p> <p>PWB mounting hole for reference (Pitch tolerance: ±0.1) View from mounting side</p>			
Part Numbers	Operating Force	H=Height	Push Plate Color	Operating Life
EVQPE404Q	1.0 N	4.3 mm	Grey	50000 cycles
EVQPE405Q	1.0 N	5.0 mm	Grey	50000 cycles
EVQPE504K	1.6 N	4.3 mm	Black	50000 cycles
EVQPE505K	1.6 N	5.0 mm	Black	50000 cycles
EVQPE604T	2.4 N	4.3 mm	Brown	30000 cycles
EVQPE605T	2.4 N	5.0 mm	Brown	30000 cycles