

SpectrAlert® Ceiling Mount Series SC Strobes and PC Horn/Strobes

6798pho1.jpg



*SC Strobe (top) and
PC Horn/Strobe (bottom)*



6798pho2.jpg

Description

SpectrAlert® Ceiling Mount Series Strobes and Horn/Strobes from System Sensor offer a fresh approach to the unique needs of ceiling-mount applications.

Technology — Like the original SpectrAlert® line, the SpectrAlert® Ceiling Mount Series offers significant current draw reductions over other ceiling-mount strobes and horn/strobes.

Flexibility — SpectrAlert® Ceiling Mount strobes and horn/strobes are available in seven different candelas, including 177 candela for sleeping areas. The horn/strobe's tones are field-selectable with a three-position switch on the back of the unit. Selections include: electromechanical and 3 KHz tones; temporal 3 and non-temporal 3 patterns; and high and low volume.

Aesthetics — SpectrAlert® Ceiling Mount strobes and horn/strobes offer a design that is sensitive to the aesthetic demands of ceiling-mount applications. The round shape maintains a low-profile appearance, similar to that of a smoke detector. Its stylish curves and design further refine the aesthetics over other generic wall/ceiling-mount designs. Yet SpectrAlert®'s round shape provides clearly visible "FIRE" identification from all angles.

Installation — SpectrAlert®'s compact design also offers installation savings. The strobe and horn/strobe models mount to a 4" x 4" x 1.5" (101.6 x 101.6 x 38.1 mm) backbox, and take up little room in the backbox, making connections easier. With SpectrAlert®'s round shape, aligning the backbox with the room's walls is not necessary — SpectrAlert® always lines up.

Architectural/Engineering Specifications

Strobe shall be a System Sensor SpectrAlert® Model _____ Listed to UL 1971 and be approved for fire protective service where ceiling-mount strobes are permitted. The strobe shall be wired as a primary signaling notification appliance and shall flash at 1 Hz over the strobe's entire operating range. The strobe light shall consist of a xenon flash tube and associated lens/reflector system.

Horn/Strobe shall be a System Sensor SpectrAlert® Model _____ Listed to UL 1971 and UL 464 and be approved for fire protective service where ceiling-mount horn/strobes are permitted. The horn/strobe shall be wired as a primary signaling notification appliance and shall flash at 1 Hz over its entire operating range. The strobe light shall consist of a xenon flash tube and associated lens/reflector system. The horn shall have two tone options, two audibility options, and the option to switch between a temporal 3 pattern and a non-temporal continuous pattern. These options shall be selected by a multi-position switch.

Features

- Lower current draw.
- Available in 15, 15/75, 30, 75, 95, 115, and 177 candela strobes.
- Horn/strobe models include a three-position switch for field-selecting horn tones: electromechanical/3KHz; temporal 3/non-temporal 3; high/low dBA output.
- Synchronizable with MDL Sync•Circuit™ module.
- Ceiling-specific shape, profile, and aesthetics.
- Mounts to a 4" x 4" x 1.5" (101.6 x 101.6 x 38.1 mm) backbox.
- Round shape offers greater placement flexibility.

Listings

Listings and approvals below apply to the SC Strobes and PC Horn/Strobes. In some cases, certain modules may not be listed by certain approval agencies, or listing may be in process. Consult factory for latest listing status.

- UL Listed: files S4011, S5512.
- ULC Listed: file CS549.
- MEA approved: files 144-00-E, 61-00-E.
- CSFM approved: files 7125-1209:201, 7135-1209:204.
- FM approved.

Gamewell 
A 150-Year Tradition

by Honeywell

Strobes shall be powered independently of the sounder with the removal of factory-installed jumper wires. The horn on horn/strobe models shall operate on a coded or non-coded power supply.

NOTE: *The strobes must be powered continuously for the horn to operate.*

Ordering Information

SC2415	Ceiling-mount strobe, 24 volt, 15 candela, red.
SC2415W	Ceiling-mount strobe, 24 volt, 15 candela, white.
SC241575	Ceiling-mount strobe, 24 volt, 15/75 candela, red.
SC241575W	Ceiling-mount strobe, 24 volt, 15/75 candela, white.
SC2430	Ceiling-mount strobe, 24 volt, 30 candela, red.
SC2430W	Ceiling-mount strobe, 24 volt, 30 candela, white.
SC2475	Ceiling-mount strobe, 24 volt, 75 candela, red.
SC2475W	Ceiling-mount strobe, 24 volt, 75 candela, white.
SC2495	Ceiling-mount strobe, 24 volt, 95 candela, red.
SC2495W	Ceiling-mount strobe, 24 volt, 95 candela, white.
SC24115	Ceiling-mount strobe, 24 volt, 115 candela, red.
SC24115W	Ceiling-mount strobe, 24 volt, 115 candela, white.
SC24177	Ceiling-mount strobe, 24 volt, 177 candela, red.
SC24177W	Ceiling-mount strobe, 24 volt, 177 candela, white.
PC2415	Ceiling-mount horn/strobe, 24 volt, 15 candela, red.
PC2415W	Ceiling-mount horn/strobe, 24 volt, 15 candela, white.
PC241575	Ceiling-mount horn/strobe, 24 volt, 15/75 candela, red.
PC241575W	Ceiling-mount horn/strobe, 24 volt, 15/75 candela, white.
PC2430	Ceiling-mount horn/strobe, 24 volt, 30 candela, red.
PC2430W	Ceiling-mount horn/strobe, 24 volt, 30 candela, white.
PC2475	Ceiling-mount horn/strobe, 24 volt, 75 candela, red.
PC2475W	Ceiling-mount horn/strobe, 24 volt, 75 candela, white.
PC2495	Ceiling-mount horn/strobe, 24 volt, 95 candela, red.
PC2495W	Ceiling-mount horn/strobe, 24 volt, 95 candela, white.
PC24115	Ceiling-mount horn/strobe, 24 volt, 115 candela, red.
PC24115W	Ceiling-mount horn/strobe, 24 volt, 115 candela, white.
PC24177	Ceiling-mount horn/strobe, 24 volt, 177 candela, red.
PC24177W	Ceiling-mount horn/strobe, 24 volt, 177 candela, white.

Accessories

MDL	Sync•Circuit™ module, red.
MDLW	Sync•Circuit™ module, white.
BBSC	Surface-mount backbox skirt, red.
BBSCW	Surface-mount backbox skirt white.

Gamewell®, **System Sensor®**, and **SpectraAlert®** are registered trademarks and **Sync•Circuit™** is a trademark of Honeywell International Inc.

Specifications

Dimensions

6.8" (172.72 mm) diameter.

Mounting

4.0" x 4.0" x 1.5" (101.6 x 101.6 x 38.1 mm) backbox.

Indoor operating temperature

32°F to 120°F (0°C to 49°C).

Maximum humidity

95% as tested per UL 464.

Weight

5.3 oz. (150 grams).

Operating voltage

24 VDC and FWR unfiltered.

Input terminals

12 to 18 AWG (3.1 to 0.78 mm²).

Operating voltage range

24 volts, 16 – 33 volts.

NOTE: 177 cd models tested at 20 – 33 V FWR and 16 – 33 VDC.

Operating voltage range with Sync•Circuit™ module

24 volts, 17 – 33 volts.

NOTE: 177 cd models tested at 21 – 33 V FWR and 17 – 33 VDC.

U.S. Patent Numbers

6,049,446. 6,057,778. D424,465.



BBSCW Surface-Mount Backbox Skirt

Current Draw

6798curr.tbl

	Model Number		Voltage	Candela	FWR Max. Operating Current STROBE (mA RMS)	DC Max. Operating Current STROBE (mA RMS)	FWR Max. Operating Current HORN (mA RMS)	DC Max. Operating Current HORN (mA RMS)	HORN Audibility (dBA)
	Red	White							
Ceiling-Mount STROBES	SC2415	SC2415W	24	15	68	64			
	SC241575	SC241575W	24	15/75	77	78			
	SC2430	SC2430W	24	30	107	113			
	SC2475	SC2475W	24	75	197	205			
	SC2495	SC2495W	24	95	239	274			
	SC24115	SC24115W	24	115	298	325			
	SC24177	SC24177W	24	177	399	489			
Ceiling-Mount HORN/ STROBES*	PC2415	PC2415W	24	15	68	64	57.5	57	75
	PC241575	PC241575W	24	15/75	77	78	57.5	57	75
	PC2430	PC2430W	24	30	107	113	57.5	57	75
	PC2475	PC2475W	24	75	197	205	57.5	57	75
	PC2495	PC2495W	24	95	239	274	57.5	57	75
	PC24115	PC24115W	24	115	298	325	57.5	57	75
	PC24177	PC24177W	24	177	399	489	57.5	57	75
Sync•Circuit™ MODULES	MDL	MDLW		AVG. Current (mA)		PEAK Current (mA)		INRUSH Current (mA)	
				DC	FWR	DC	FWR	DC	FWR
			12	10	12	30	31	87	122
			24	11	15	35	37	198	262

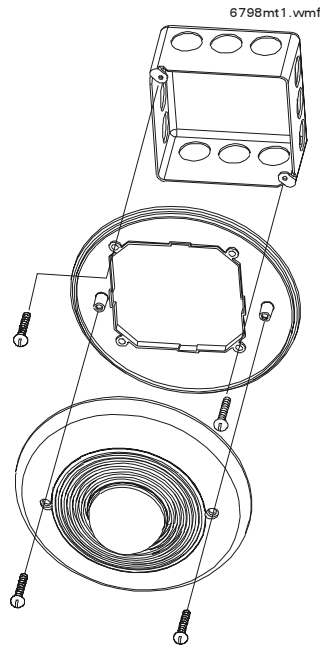
NOTES for Current Draw table: 1) *Horn/strobe current draws assume horn is set at Temporal 3, electromechanical tone, and high audibility. 2) All SC and PC strobes were only tested at the 16 – 33 volt-FWR/DC limits. This does not include the 80% low-end or 110% high-end voltage limits.

Selectable Horn Tones

			UL Reverberant dBA @ 10 feet (3.048 m)/VDC			Anechoic dBA @ 10 feet (3.048 m)/VDC		
			16 VDC	24 VDC	33 VDC	16 VDC	24 VDC	33 VDC
			Temporal	Low Volume	Electromechanical	75	75	79
3000 Hz Interrupted	75	75			79	82	86	89
High Volume	Electromechanical	79		82	82	87	90	91
	3000 Hz Interrupted	79		82	82	86	92	93
Non-Temporal	Low Volume	Electromechanical	75	82	82	82	86	87
		3000 Hz Interrupted	79	82	85	84	87	90
	High Volume	Electromechanical	82	85	85	87	91	93
		3000 Hz Interrupted	82	85	85	88	91	92

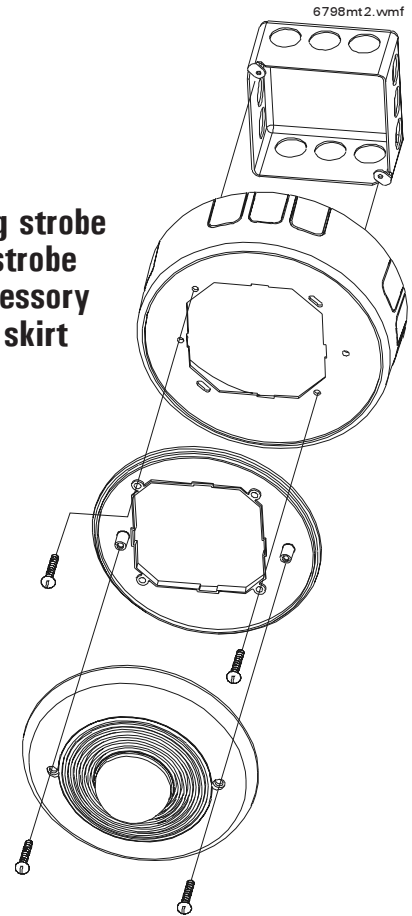
6798tone.tbl

Mounting Diagrams



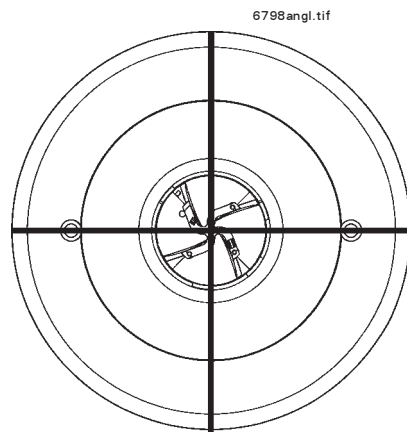
**strobe or horn/strobe
with mounting plate**

**mounting strobe
or horn/strobe
with accessory
backbox skirt**



positioning for maximum brightness

For maximum brightness, unit must be mounted with flash angles as shown.



Gamewell
A 150-Year Tradition

by Honeywell

Gamewell

12 Clintonville Road
Northford, CT 06472-1610

Phone: 203-484-7161

Fax: 203-484-7118

www.gamewell.com

A Honeywell Company
© 2005 Gamewell

Specifications and wiring information are provided for information only and are believed to be accurate. Gamewell assumes no responsibility for their use. Data and design are subject to change without notice. Installation and wiring instructions shipped with the product shall always be used for actual installation. For more information, contact Gamewell.