

TOSHIBA CMOS Digital Integrated Circuit Silicon Monolithic

TC4017BP, TC4017BF

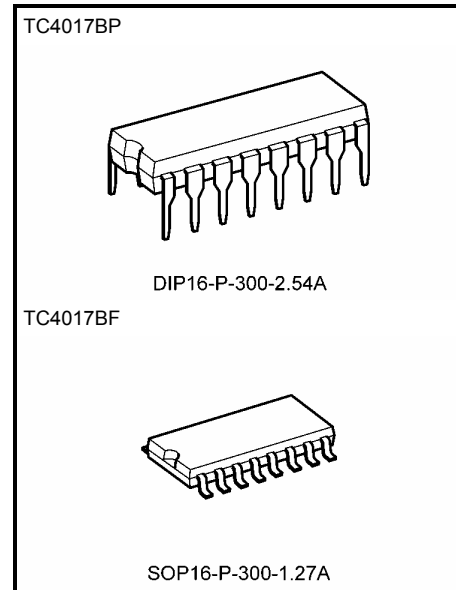
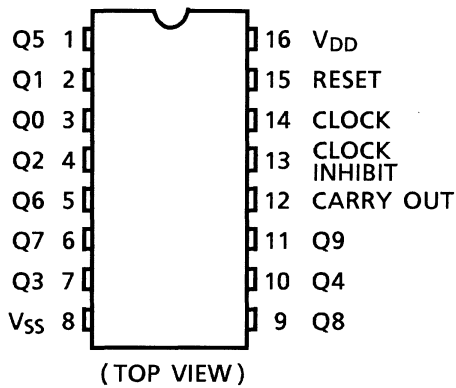
TC4017BP/TC4017BF Decade Counter/Divider

TC4017BP/BF is decimal Johnson counter consisting of 5 stage D-type flip-flop equipped with the decoder to convert the output to decimal.

Depending on the number of count pulses fed to CLOCK or CLOCK INHIBIT one output among 10 output lines "Q0" through "Q9" becomes "H" level.

The counter advances its state at rising edge of CLOCK (CLOCK INHIBIT = "L") or falling edge of CLOCK INHIBIT (CLOCK = "H"). RESET input to "H" level resets the counter to Q0 = "H" and Q1 through Q9 = "L" regardless of CLOCK and CLOCK INHIBIT.

Pin Assignment



Weight
 DIP16-P-300-2.54A : 1.00 g (typ.)
 SOP16-P-300-1.27A : 0.18 g (typ.)

Truth Table

Inputs			Selected Output
CLOCK Δ	CLOCK INHIBIT Δ	RESET	
*	*	H	Q0
*	H	L	Qn (NC)
L	*	L	Qn (NC)
\uparrow	L	L	Qn + 1
\downarrow	L	L	Qn (NC)
H	\uparrow	L	Qn (NC)
H	\downarrow	L	Qn + 1

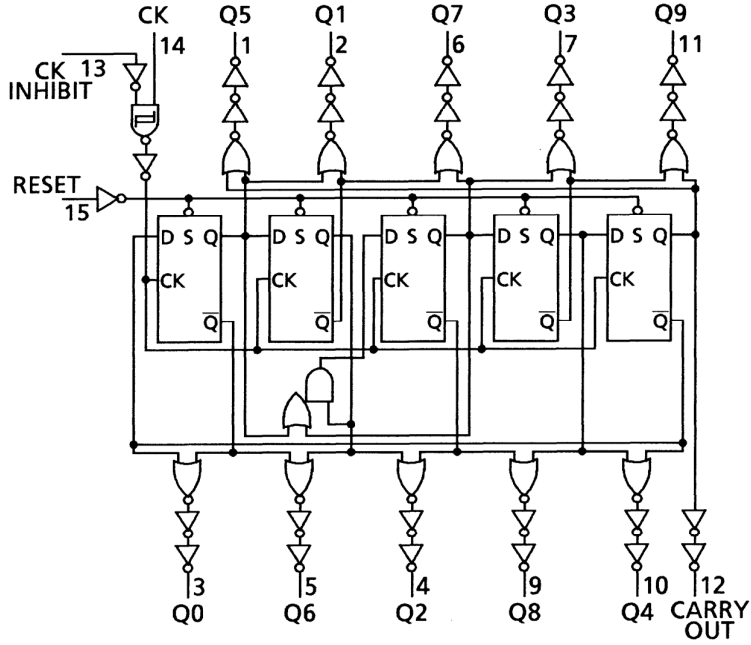
Δ : Level change

*: Don't care

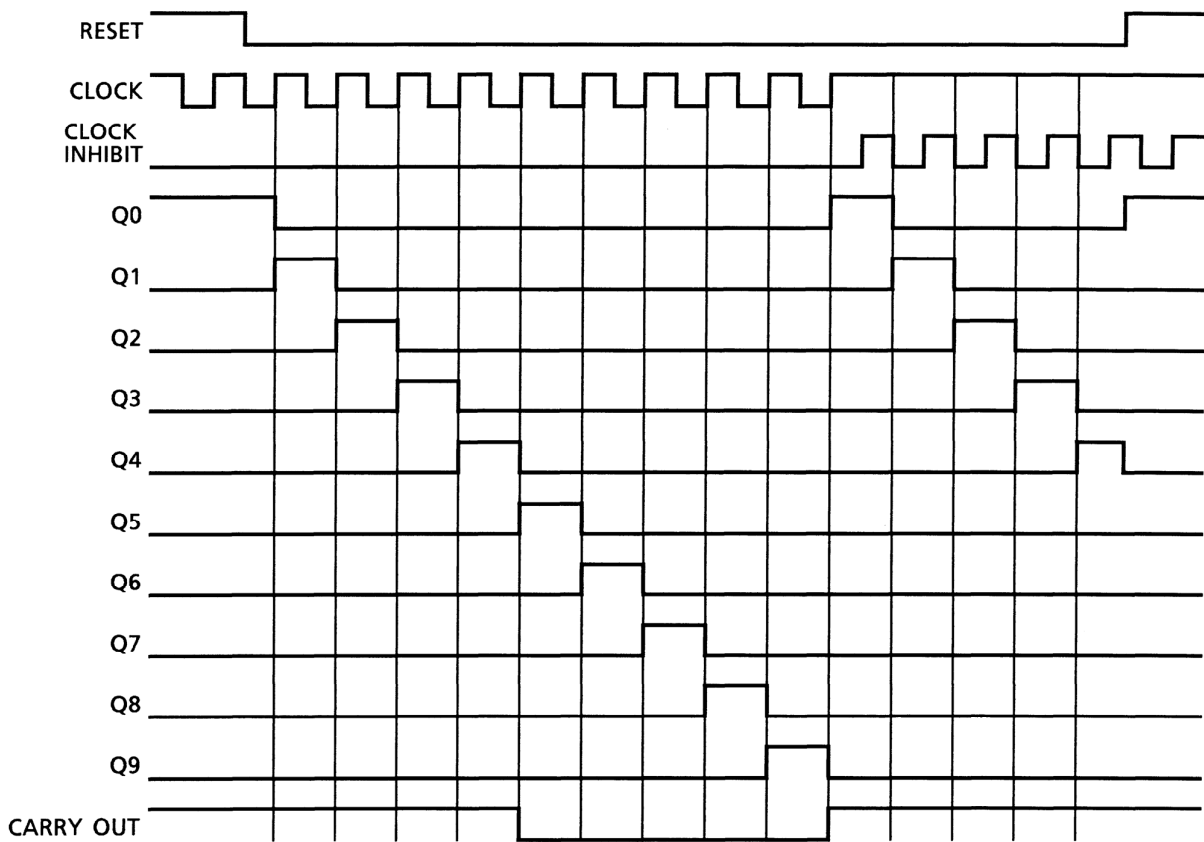
NC: No change

carry out { "H" Q0~Q4 = "H"
 "L" Q5~Q9 = "H"

Logic Diagram



Timing Chart



Absolute Maximum Ratings (Note)

Characteristics	Symbol	Rating	Unit
DC supply voltage	V_{DD}	$V_{SS} - 0.5 \sim V_{SS} + 20$	V
Input voltage	V_{IN}	$V_{SS} - 0.5 \sim V_{DD} + 0.5$	V
Output voltage	V_{OUT}	$V_{SS} - 0.5 \sim V_{DD} + 0.5$	V
DC input current	I_{IN}	± 10	mA
Power dissipation	P_D	300 (DIP)/180 (SOIC)	mW
Operating ambient temperature range	T_{opr}	-40~85	°C
Storage temperature range	T_{stg}	-65~150	°C

Note: Exceeding any of the absolute maximum ratings, even briefly, lead to deterioration in IC performance or even destruction.

Using continuously under heavy loads (e.g. the application of high temperature/current/voltage and the significant change in temperature, etc.) may cause this product to decrease in the reliability significantly even if the operating conditions (i.e. operating temperature/current/voltage, etc.) are within the absolute maximum ratings and the operating ranges.

Please design the appropriate reliability upon reviewing the Toshiba Semiconductor Reliability Handbook ("Handling Precautions"/"Derating Concept and Methods") and individual reliability data (i.e. reliability test report and estimated failure rate, etc).

Operating Ranges ($V_{SS} = 0$ V) (Note)

Characteristics	Symbol	Test Condition	Min	Typ.	Max	Unit
DC supply voltage	V_{DD}	—	3	—	18	V
Input voltage	V_{IN}	—	0	—	V_{DD}	V

Note: The operating ranges must be maintained to ensure the normal operation of the device.
Unused inputs must be tied to either V_{DD} or V_{SS} .

Static Electrical Characteristics (V_{SS} = 0 V)

Characteristics	Symbol	Test Condition	V _{DD} (V)	-40°C		25°C			85°C		Unit	
				Min	Max	Min	Typ.	Max	Min	Max		
High-level output voltage	V _{OH}	I _{OUT} < 1 μA V _{IN} = V _{SS} , V _{DD}	5	4.95	—	4.95	5.00	—	4.95	—	V	
			10	9.95	—	9.95	10.00	—	9.95	—		
			15	14.95	—	14.95	15.00	—	14.95	—		
Low-level output voltage	V _{OL}	I _{OUT} < 1 μA V _{IN} = V _{SS} , V _{DD}	5	—	0.05	—	0.00	0.05	—	0.05	V	
			10	—	0.05	—	0.00	0.05	—	0.05		
			15	—	0.05	—	0.00	0.05	—	0.05		
Output high current	I _{OH}	V _{OH} = 4.6 V	5	-0.61	—	-0.51	-1.0	—	-0.42	—	mA	
		V _{OH} = 2.5 V	5	-2.50	—	-2.10	-4.0	—	-1.70	—		
		V _{OH} = 9.5 V	10	-1.50	—	-1.30	-2.2	—	-1.10	—		
		V _{OH} = 13.5 V	15	-4.00	—	-3.40	-9.0	—	-2.80	—		
		V _{IN} = V _{SS} , V _{DD}										
Output low current	I _{OL}	V _{OL} = 0.4 V	5	0.61	—	0.51	1.5	—	0.42	—	mA	
		V _{OL} = 0.5 V	10	1.50	—	1.30	3.8	—	1.10	—		
		V _{OL} = 1.5 V	15	4.00	—	3.40	15.0	—	2.80	—		
		V _{IN} = V _{SS} , V _{DD}										
Input high voltage	V _{IH}	V _{OUT} = 0.5 V, 4.5 V	5	3.5	—	3.5	2.75	—	3.5	—	V	
		V _{OUT} = 1.0 V, 9.0 V	10	7.0	—	7.0	5.50	—	7.0	—		
		V _{OUT} = 1.5 V, 13.5 V	15	11.0	—	11.0	8.25	—	11.0	—		
		I _{OUT} < 1 μA										
Input low voltage	V _{IL}	V _{OUT} = 0.5 V, 4.5 V	5	—	1.5	—	2.25	1.5	—	1.5	V	
		V _{OUT} = 1.0 V, 9.0 V	10	—	3.0	—	4.50	3.0	—	3.0		
		V _{OUT} = 1.5 V, 13.5 V	15	—	4.0	—	6.75	4.0	—	4.0		
		I _{OUT} < 1 μA										
Input current	"H" level	I _{IH}	V _{IH} = 18 V	18	—	0.1	—	10 ⁻⁵	0.1	—	1.0	μA
	"L" level	I _{IL}	V _{IL} = 0 V	18	—	-0.1	—	-10 ⁻⁵	-0.1	—	-1.0	
Quiescent supply current	I _{DD}	V _{IN} = V _{SS} , V _{DD} (Note)	5	—	5	—	0.005	5	—	150	μA	
			10	—	10	—	0.010	10	—	300		
			15	—	15	—	0.015	20	—	600		

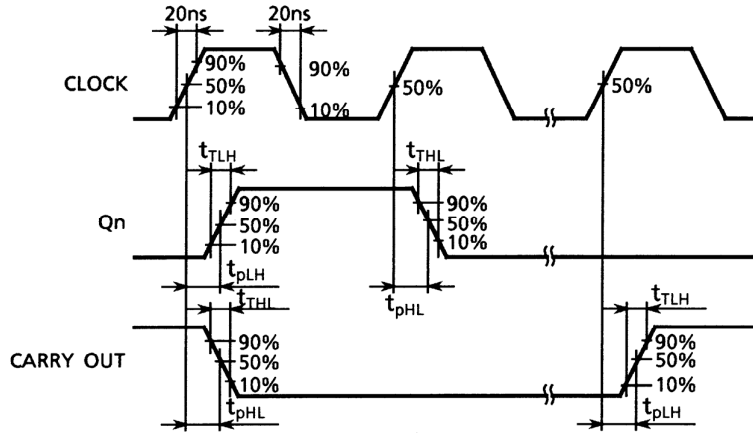
Note: All valid input combinations.

Dynamic Electrical Characteristics (Ta = 25°C, VSS = 0 V, CL = 50 pF)

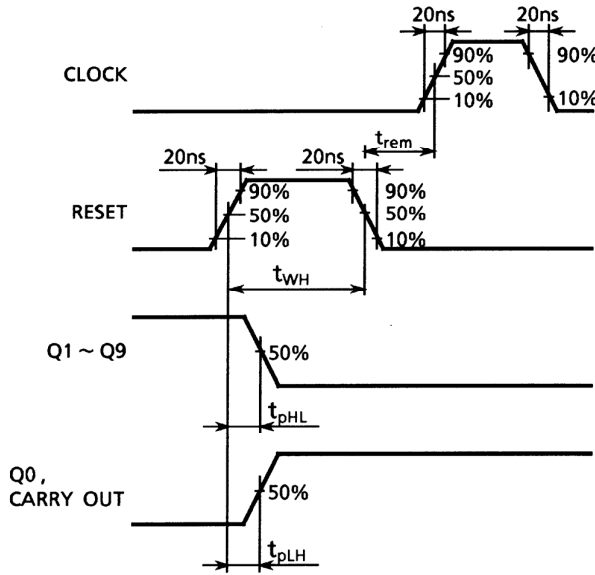
Characteristics	Symbol	Test Condition	VDD (V)	Min	Typ.	Max	Unit
Output transition time (low to high)	t _{TLH}	—	5	—	80	200	ns
			10	—	50	100	
			15	—	40	80	
Output transition time (high to low)	t _{THL}	—	5	—	80	200	ns
			10	—	50	100	
			15	—	40	80	
Propagation delay time (CLOCK-Qn)	t _{pLH} t _{pHL}	—	5	—	325	650	ns
			10	—	135	270	
			15	—	85	170	
Propagation delay time (CLOCK-CARRY OUT)	t _{pLH} t _{pHL}	—	5	—	280	600	ns
			10	—	110	250	
			15	—	75	160	
Propagation delay time (RESET-Qn RESET-CARRY OUT)	t _{pLH} t _{pHL}	—	5	—	265	530	ns
			10	—	115	230	
			15	—	85	170	
Max clock frequency	f _{CL}	—	5	2.5	6.0	—	MHz
			10	5.0	12.0	—	
			15	6.7	13.5	—	
Min clock pulse width	t _w	—	5	—	85	200	ns
			10	—	40	90	
			15	—	35	60	
Min pulse width (RESET)	t _{WH}	—	5	—	50	260	ns
			10	—	20	110	
			15	—	15	60	
Max clock rise time Max clock fall time	t _{rCL} t _{fCL}	—	5	No limit			μs
			10				
			15				
Min set-up time (CLOCK INHIBIT-CLOCK)	t _{SU}	—	5	—	30	230	ns
			10	—	15	100	
			15	—	10	70	
Min removal time (RESET-CLOCK)	t _{rem}	—	5	—	-55	400	ns
			10	—	-20	275	
			15	—	-15	150	
Input capacitance	C _{IN}	—		—	5	7.5	pF

Waveforms for Measurement of Dynamic Characteristics

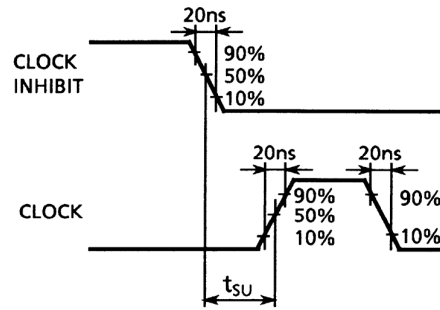
Waveform 1



Waveform 2



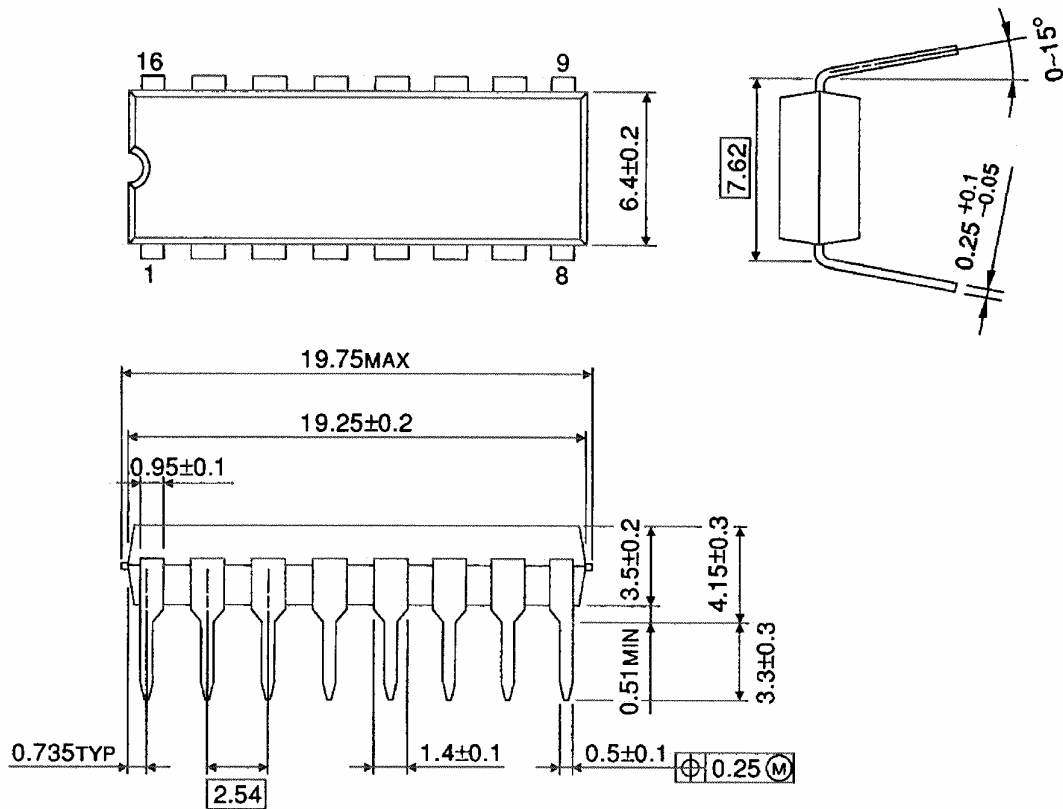
Waveform 3



Package Dimensions

DIP16-P-300-2.54A

Unit : mm

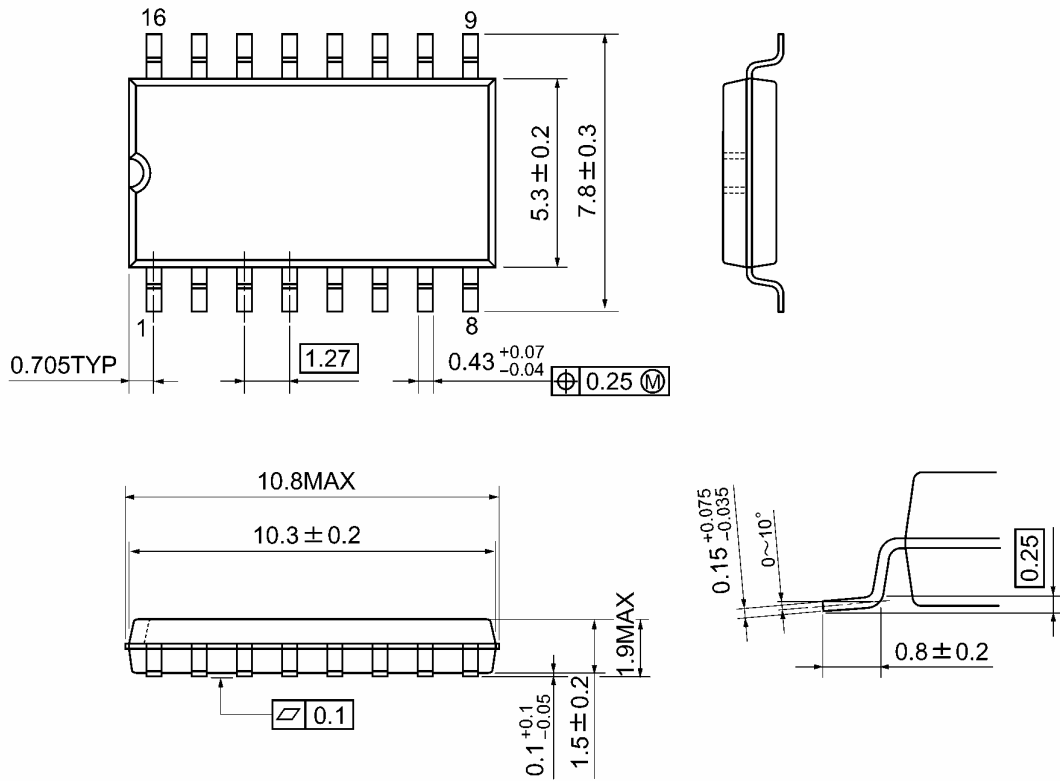


Weight: 1.00 g (typ.)

Package Dimensions

SOP16-P-300-1.27A

Unit: mm



Weight: 0.18 g (typ.)

RESTRICTIONS ON PRODUCT USE

20070701-EN GENERAL

- The information contained herein is subject to change without notice.
- TOSHIBA is continually working to improve the quality and reliability of its products. Nevertheless, semiconductor devices in general can malfunction or fail due to their inherent electrical sensitivity and vulnerability to physical stress. It is the responsibility of the buyer, when utilizing TOSHIBA products, to comply with the standards of safety in making a safe design for the entire system, and to avoid situations in which a malfunction or failure of such TOSHIBA products could cause loss of human life, bodily injury or damage to property.
In developing your designs, please ensure that TOSHIBA products are used within specified operating ranges as set forth in the most recent TOSHIBA products specifications. Also, please keep in mind the precautions and conditions set forth in the "Handling Guide for Semiconductor Devices," or "TOSHIBA Semiconductor Reliability Handbook" etc.
- The TOSHIBA products listed in this document are intended for usage in general electronics applications (computer, personal equipment, office equipment, measuring equipment, industrial robotics, domestic appliances, etc.). These TOSHIBA products are neither intended nor warranted for usage in equipment that requires extraordinarily high quality and/or reliability or a malfunction or failure of which may cause loss of human life or bodily injury ("Unintended Usage"). Unintended Usage include atomic energy control instruments, airplane or spaceship instruments, transportation instruments, traffic signal instruments, combustion control instruments, medical instruments, all types of safety devices, etc.. Unintended Usage of TOSHIBA products listed in this document shall be made at the customer's own risk.
- The products described in this document shall not be used or embedded to any downstream products of which manufacture, use and/or sale are prohibited under any applicable laws and regulations.
- The information contained herein is presented only as a guide for the applications of our products. No responsibility is assumed by TOSHIBA for any infringements of patents or other rights of the third parties which may result from its use. No license is granted by implication or otherwise under any patents or other rights of TOSHIBA or the third parties.
- Please contact your sales representative for product-by-product details in this document regarding RoHS compatibility. Please use these products in this document in compliance with all applicable laws and regulations that regulate the inclusion or use of controlled substances. Toshiba assumes no liability for damage or losses occurring as a result of noncompliance with applicable laws and regulations.