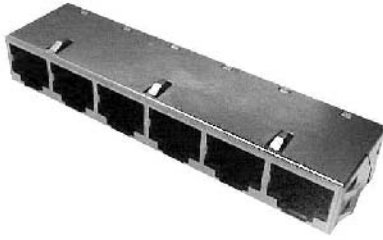


RJ45 Integrated Connector



1X6 10/100 Base-T LAN Modules

- Enhanced Crosstalk Performance
- Enhanced Common Mode Rejection Performance
- Complies with IEEE 802.3 Standards and ANSI X3.263
- Operating Temp 0°C to +85°C
- HiPot 1500Vrms (pri:sec)
- Designed for 350µH Min OCL with 8mA Bias Current

All Electrical Data Specified at Ta=-25°C for all parts in this Series

All Electrical Data Specified at Ta=-25° for all parts in this Series

Insertion Loss (dB Max)	Return Loss (dB Min)			CMRR (dB Min)	Crosstalk (dB Min)	OCL (µH Min)	HiPot (Vrms)	Impedance (Ω)
	1-30MHz	60MHz	80MHz					
1-100MHz	1-30MHz	60MHz	80MHz	1-100MHz	1-100MHz	8mA DC Bias	1 Minute	
-1	-18	-16	-12	-30	-30	350	1500	100

Product Selector

Part #	Turns Ratio (1C:LINE)		Configuration ¹		Latch/Tab	LED Options	Schematic Diagram	Package Style	Package Dimensions mm(inches) Typ		
	Tx	Rx	Tx	Rx					L	W	H
TIC-L019-16	1CT:1	1CT:1CT	A,C,T	T,C	DOWN	NO	1	A	21.6 (0.850)	85.88 (3.38)	13.45 (0.530)
TIC-L065-16	1CT:1CT	1CT:1CT	C,T	C,T	DOWN	NO	2	A	21.6 (0.850)	85.88 (3.38)	13.45 (0.530)

¹ C-Choke; T-Transformer; A-Auto Transformer

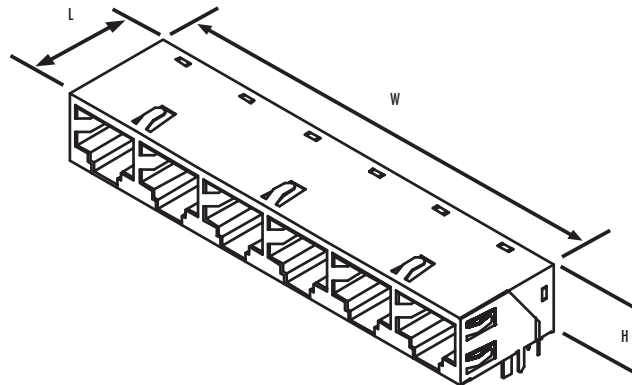
Package & Weight Information

QTY/Tray	QTY/Box	Weight/each(g)
21	315	28.15

Mechanical Dimensions

Please contact Tamura for tolerances and suggested layout information.

Fig. A



TAMURA CORPORATION

43352 Business Park Drive. | P.O. Box 892230 Temecula, CA 92589-2230 | www.tamuracorp.com

USA

Tel: 800-872-6624
Fax: 909-676-9482

Japan

Tel: 81 (0)3 3978-2111
Fax: 81 (0)3 3923-0230

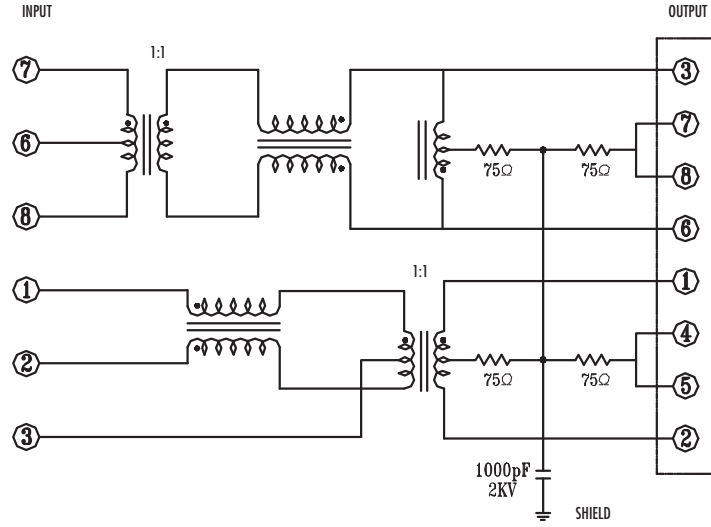
United Kingdom

Tel: 44 (0) 1380 731 700
Fax: 44 (0) 1380 731 702

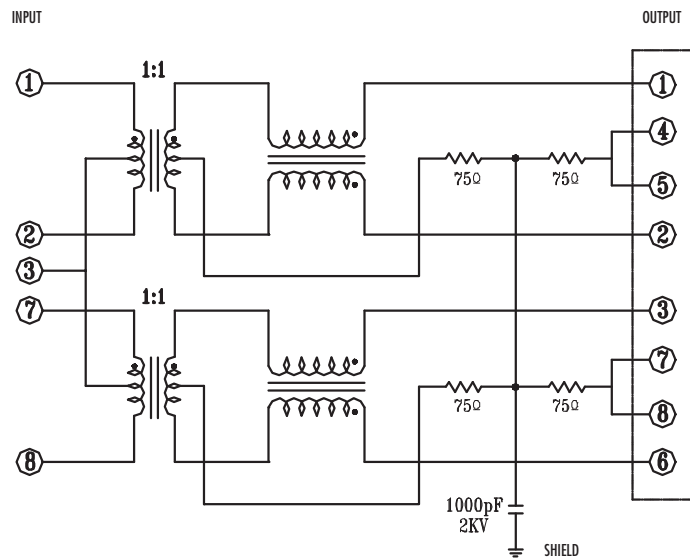
Hong Kong

Tel: 852-2389-4321
Fax: 852-2341-9689

Schematics



1



2

TAMURA CORPORATION

43352 Business Park Drive. | P.O. Box 892230 Temecula, CA 92589-2230 | www.tamuracorp.com
 USA Japan United Kingdom Hong Kong
 Tel: 800-872-6624 Tel: 81 (0)3 3978-2111 Tel: 44 (0) 1380 731 700 Tel: 852-2389-4321
 Fax: 909-676-9482 Fax: 81 (0)3 3923-0230 Fax: 44 (0) 1380 731 702 Fax: 852-2341-9689