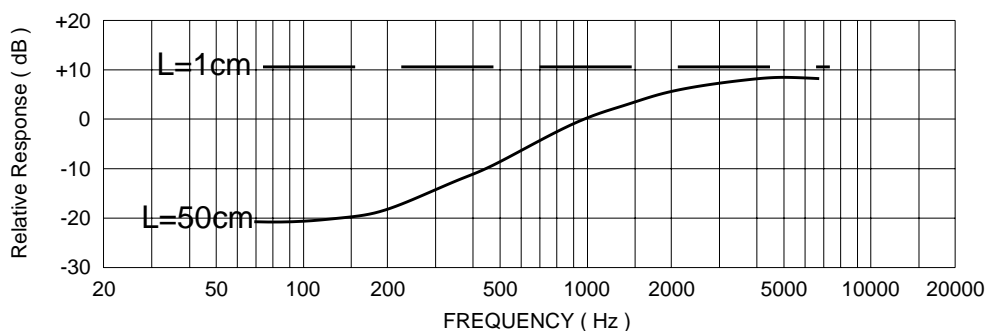
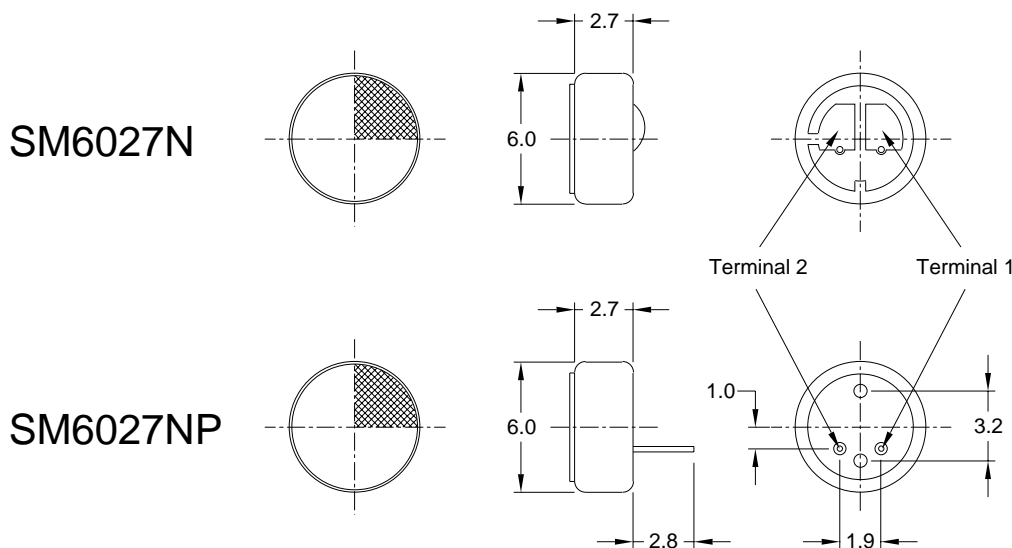


SM6027N Series



SPECIFICATIONS	
IMPEDANCE	Low impedance
DIRECTIVITY	Noise Cancelling
S/N RATIO	More than 58dB
SENSITIVITY REDUCTION	Within -3dB at 1 Volt
FREQUENCY RANGE	50 Hz to 5,000 Hz
STANDARD OPERATING VOLTAGE	2.0 Volt
CURRENT CONSUMPTION	Maximum 500 μ A

PART NUMBER TABLE		
SENSITIVITY (0dB=1V/pa, 1kHz)	(Vs=2.0V, RL=2.2k Ω)	
	Solder Type	Pin Type
-51 \pm 4dB	SM6027N514	SM6027NP514
-54 \pm 4dB	SM6027N544	SM6027NP544

