

Material:

- Housing: PBT+30%GF UL 94V-0
- Contact: Brass
- Shell: SPCC
- Contact: 30μ Gold Contact Plating over Nickel Plated
- Shell: Nickel Over All Plating

Electrical:

- Voltage Rating: 30V
- Current Rating: 1.5A
- Contact Resistance Terminal: 30MΩ Max
- Dielectric Withstanding Voltage: 500V AC
- Insulation Resistance: 1000MΩ Min

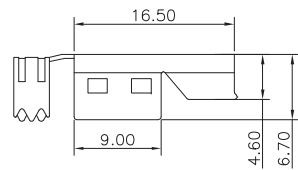
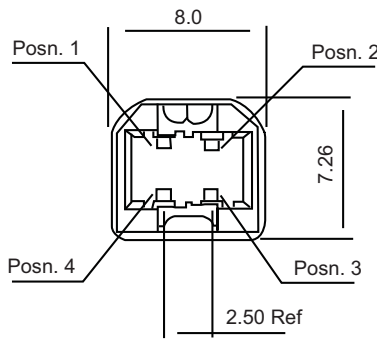
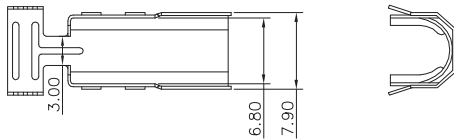
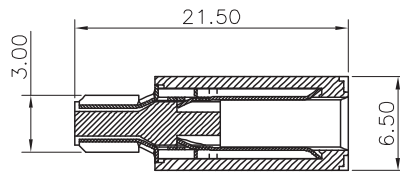
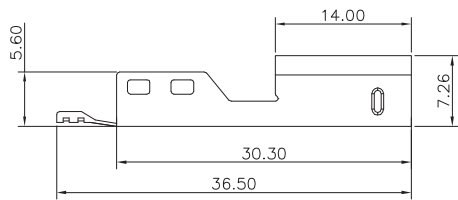
Mechanical:

- Mating: 35N Max
- Withdraw Force: 10N Min
- Durability: 1500 Cycles Min

Environmental:

- Temperature Range: -20°~+85°C

Unit: MM±0.15MM



Scale	1:1						Name	Item No.
TOLERANCE						Drawn	10.19.11	Chappell
X.X	±0.40					Approved		
X.XX	±0.25							Title
X.XXX	±0.15							USB, Type B, Assembly-Type, Version 2.0
Angle	±3°							Drawing No.
								rev00
								Replace
								Sheet



1 2 3 4 5 6 7