

1 2 3 4 5 6 7

A

B

C

D

E

F

G

H

A

B

C

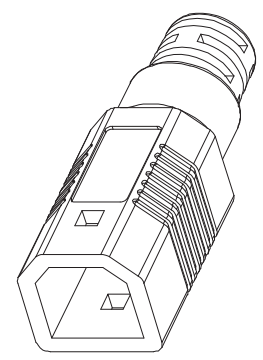
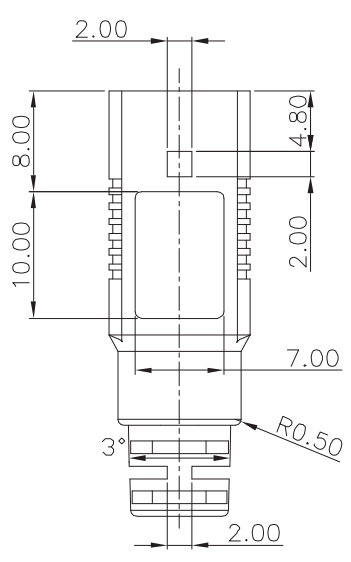
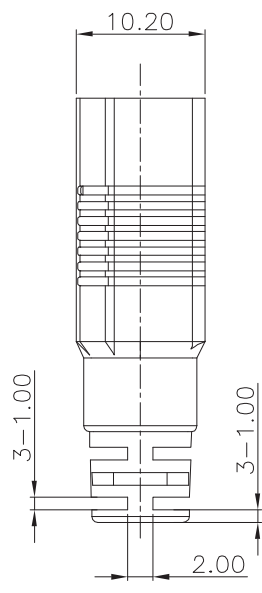
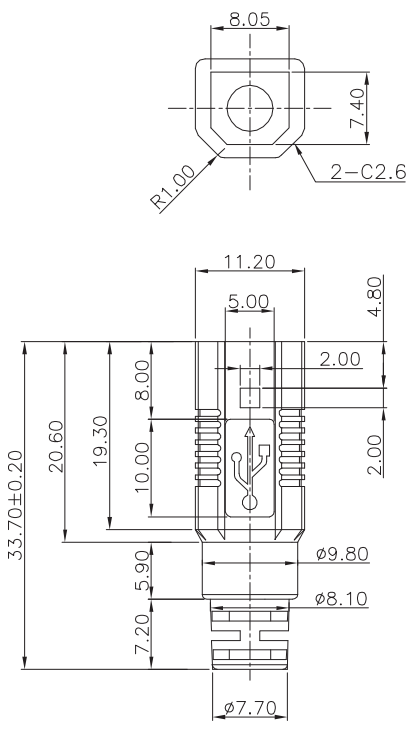
D

E

F

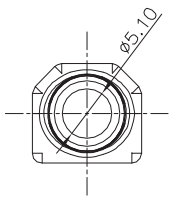
G

H



**Material:**  
 • Material: PVC  
 • Color: Black/White/Beige

Unit: MM±0.10MM



Scale	1:1						Name	Item No.
TOLERANCE						Drawn	10.19.11	Chappell
X.X	±0.40					Approved		
X.XX	±0.25							Title
X.XXX	±0.15							Hoods USB-Assembly, Type B, Male, Black
Angle	±3°							Drawing No.
								rev00
								Replace
								Sheet



1 2 3 4 5 6 7