

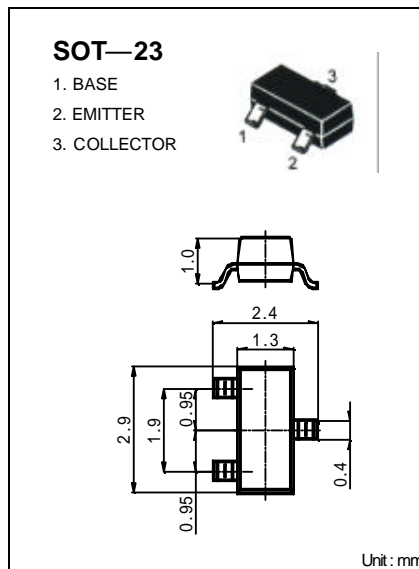


## SOT-23 Plastic-Encapsulate Transistors

### SS8550LT1 TRANSISTOR ( PNP )

#### FEATURES

- Power dissipation  
 $P_{CM} : 0.3 \text{ W ( } T_{amb}=25 \text{ )}$
- Collector current  
 $I_{CM} : -1.5 \text{ A}$
- Collector-base voltage  
 $V_{(BR)CBO} : -40 \text{ V}$
- Operating and storage junction temperature range  
 $T_J, T_{stg}: -55 \text{ to } +150$



#### ELECTRICAL CHARACTERISTICS ( $T_{amb}=25$ unless otherwise specified )

Parameter	Symbol	Test conditions	MIN	MAX	UNIT
Collector-base breakdown voltage	$V_{(BR)CBO}$	$I_C = -100 \mu A, I_E = 0$	-40		V
Collector-emitter breakdown voltage	$V_{(BR)CEO}$	$I_C = -0.1mA, I_B = 0$	-25		V
Emitter-base breakdown voltage	$V_{(BR)EBO}$	$I_E = -100 \mu A, I_C = 0$	-5		V
Collector cut-off current	$I_{CBO}$	$V_{CB} = -40 V, I_E = 0$		-0.1	$\mu A$
Collector cut-off current	$I_{CEO}$	$V_{CE} = -20 V, I_B = 0$		-0.1	$\mu A$
Emitter cut-off current	$I_{EBO}$	$V_{EB} = -5V, I_C = 0$		-0.1	$\mu A$
DC current gain	$h_{FE(1)}$	$V_{CE} = -1V, I_C = -100mA$	120	350	
	$h_{FE(2)}$	$V_{CE} = -1V, I_C = -800mA$	40		
Collector-emitter saturation voltage	$V_{CE(sat)}$	$I_C = -800 mA, I_B = -80mA$		-0.5	V
Base-emitter saturation voltage	$V_{BE(sat)}$	$I_C = -800 mA, I_B = -80mA$		-1.2	V
Transition frequency	$f_T$	$V_{CE} = -10V, I_C = -50mA$ $f = 30MHz$	100		MHz

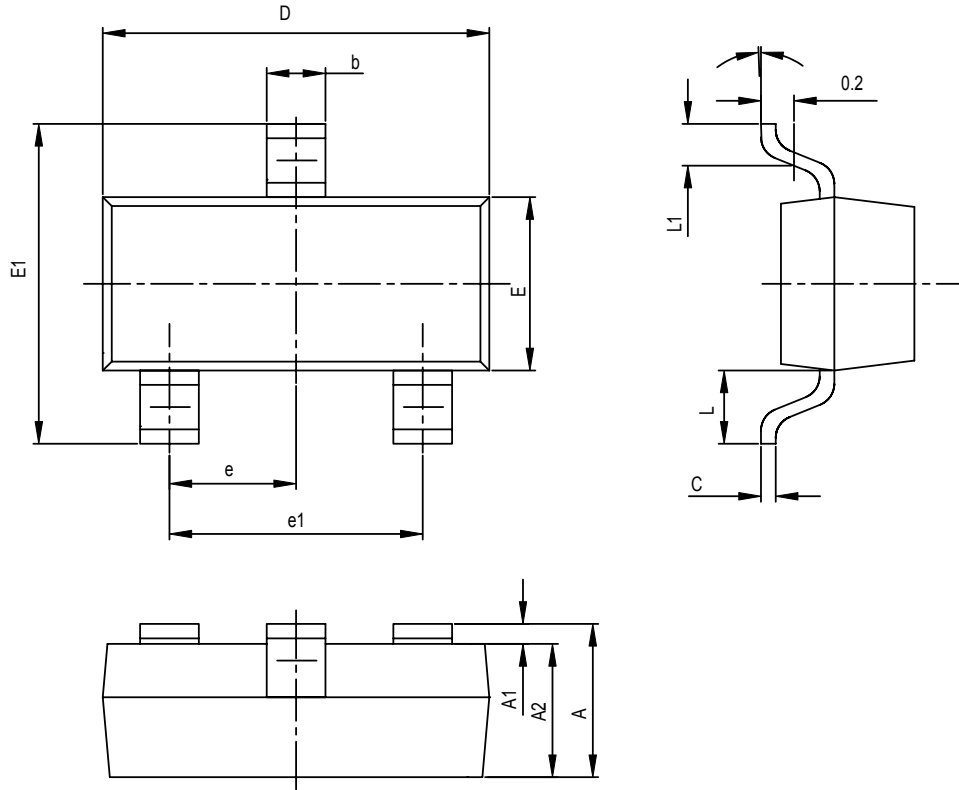
#### CLASSIFICATION OF $h_{FE(1)}$

Rank	L	H
Range	120-200	200-350

#### DEVICE MARKING

SS8550LT1=Y2
--------------

## SOT-23 PACKAGE OUTLINE DIMENSIONS



Symbol	Dimensions In Millimeters		Dimensions In Inches	
	Min	Max	Min	Max
A	0.900	1.100	0.035	0.043
A1	0.000	0.100	0.000	0.004
A2	0.900	1.000	0.035	0.039
b	0.300	0.500	0.012	0.020
c	0.080	0.150	0.003	0.006
D	2.800	3.000	0.110	0.118
E	1.200	1.400	0.047	0.055
E1	2.250	2.550	0.089	0.100
e	0.950TPY		0.037TPY	
e1	1.800	2.000	0.071	0.079
L	0.550REF		0.022REF	
L1	0.300	0.500	0.012	0.020
$\theta$	0°	8°	0°	8°