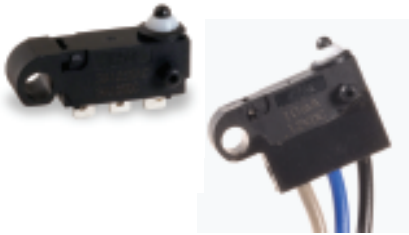


ZMSM Series with Mounting Hole Subminiature Snap-acting Switches (Dust Proof)



Features/Benefits

- Reliable snap-acting mechanism
- Long electrical and mechanical life
- Various PCB terminals and actuators
- RoHS compatible
- IP67 on some models

Typical Applications

- Communication devices
- Testing equipment
- Security/Alarm systems



Specifications

CONTACT RATING: 3A@ 125 V AC/ 3A@ 12 V DC, 10 mA@ 12 V DC.
 ELECTRICAL LIFE: 300,000 cycles @ 10mA / 100,000 cycles @ 3A, 12V DC, 6,000 cycles @ 3A, 125 VAC
 INSULATION RESISTANCE: 100 M ohm min.
 DIELECTRIC STRENGTH: 500 Vrms.
 OPERATING TEMPERATURE: -40°C to 85°C.
 OPERATING FORCE: 80 or 130 grams.

* Low Level=conditions where no arcing occurs during switching, i.e., 0.4 VA max. @ 20 V AC or DC max.

Materials

CASE: Nylon
 COVER/ACTUATOR: PBT
 MOVABLE CONTACTS: Silver or gold plated.
 STATIONARY CONTACTS: Silver or gold plated.
 TERMINALS: Brass, tin plated.
 LEVER: Stainless steel

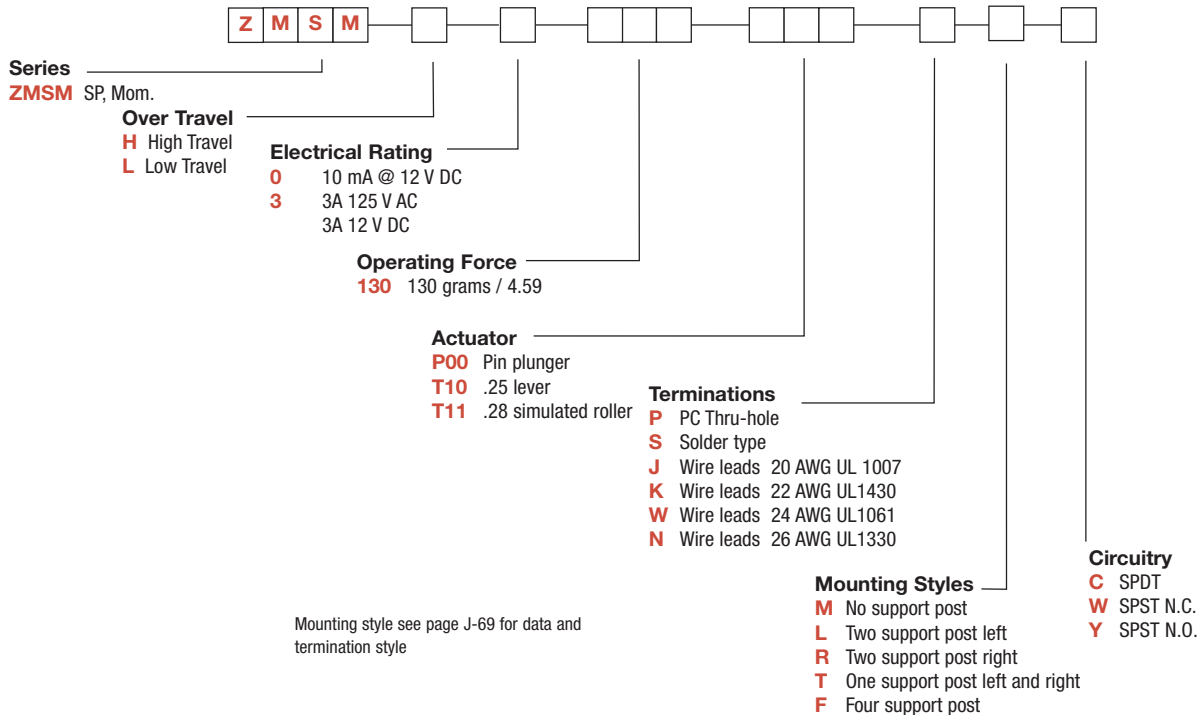
NOTE: Specifications and materials listed above are for switches with standard options. For information on specific and custom switches, consult Customer Service Center.



Snap-acting

Build-A-Switch

To order, simply select desired option from each category and place in the appropriate box. Available options are shown and described on pages J-67 and J-68. For additional options not shown in catalog, consult Customer Service Center.

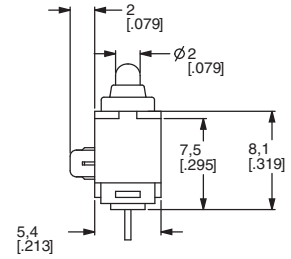
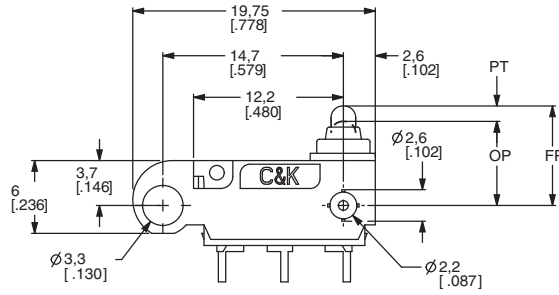


Dimensions are shown: mm (inch)
 Specifications and dimensions subject to change

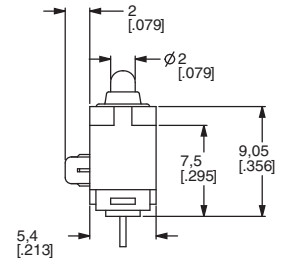
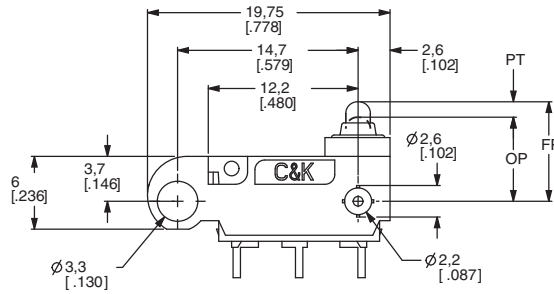
ZMSM Series with Mounting Hole Subminiature Snap-acting Switches (Dust Proof)

SERIES **Z M S M** ■ ■ ■ ■ ■ ■ ■ ■

ZMSMH HIGH OVER TRAVEL



ZMSML LOW OVER TRAVEL



ELECTRICAL RATING ■ ■ ■ ■ ■ ■ ■ ■

OPTION CODE	RoHS COMPLIANT*	RoHS COMPATIBLE*	CONTACT MATERIAL		ELECTRICAL RATING	
			MOVABLE CONTACT	STATIONARY CONTACT		
0	Yes	Yes	Gold over fine silver	Gold over fine silver	10mA @ 12 V DC	
3	Yes	Yes	Fine Silver	Fine silver	3 AMPS @ 125 V AC 3 AMPS @ 12 V DC	

* Note: See Technical Data in section N of this catalog for RoHS compliant and compatible definition and specifications.

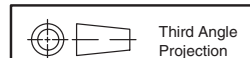
Model with option "S" (solder type) only.

Consult Customer Service center for availability and delivery of nonstandard ratings.

*Electrical rating 03A is not available with Operating Force rating of 080.

OPERATING FORCE ■ ■ ■ ■ ■ ■ ■ ■

OPTION CODE	BASIC SWITCH OPERATING FORCE (OZ./GRAMS)
130	130 4.59



Dimensions are shown: mm (inch)
Specifications and dimensions subject to change

www.ck-components.com

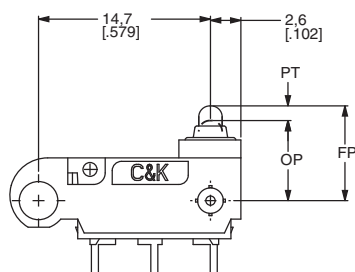


Snap-acting

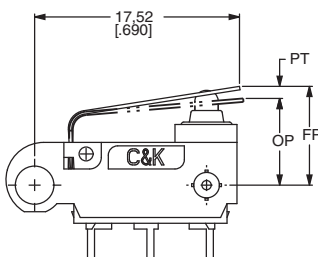
ZMSM Series with Mounting Hole Subminiature Snap-acting Switches (Dust Proof)

ACTUATOR

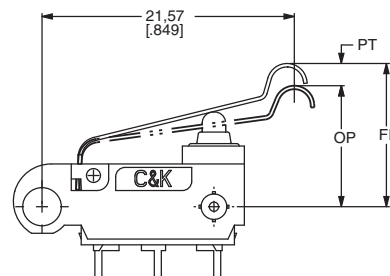
P00 PIN PLUNGER



T10 .25 LEVER



T11 LEVER

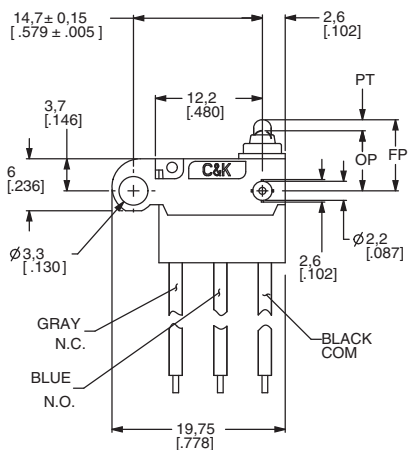


SWITCH CHARACTERISTICS

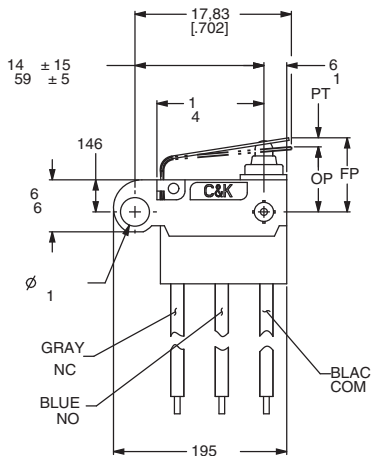
Actuator code	Maximum Operate Force (grams/oz.)	Minimum Release Force (grams/oz.)	Free Position Max (mm)	Maximum Pre-travel (mm)	Operate Position (mm) ±0.3	Maximum Differential (mm)	Minimum Overtravel (mm)
P00	130 4.59	13 0.45	8.20	0.8	6.75	0.3	0.8
T10	195 6.88	55 1.93	11.55	3.85	7.50	0.5	1.35
T11	160 5.64	45 1.58	14.65	4.8	9.90	0.7	1.65

Snap-acting

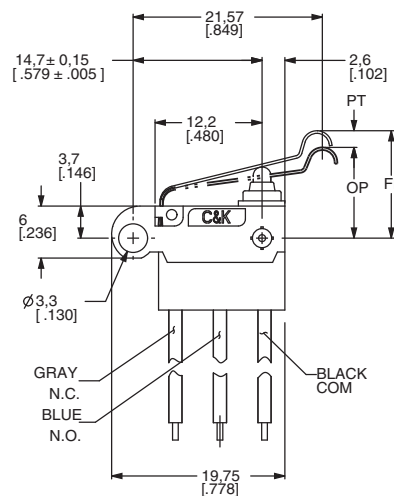
P00 PIN PLUNGER



T10 .25 LEVER



T11 .28 LEVER



SWITCH CHARACTERISTICS "J" TERMINATION ONLY

Actuator code	Maximum Operate Force (grams/oz.)	Minimum Release Force (grams/oz.)	Free Position Max (mm)	Maximum Pre-travel (mm)	Operate Position (mm) ±0.3	Maximum Differential (mm)	Minimum Overtravel (mm)
P00	130 4.59	13 0.45	8.20	0.8	6.75	0.3	0.8
T10	195 6.88	55 1.93	11.55	3.85	7.50	0.5	1.35
T11	160 5.64	45 1.58	14.65	4.8	9.90	0.7	1.65



Third Angle Projection

Dimensions are shown: mm (inch)
Specifications and dimensions subject to change

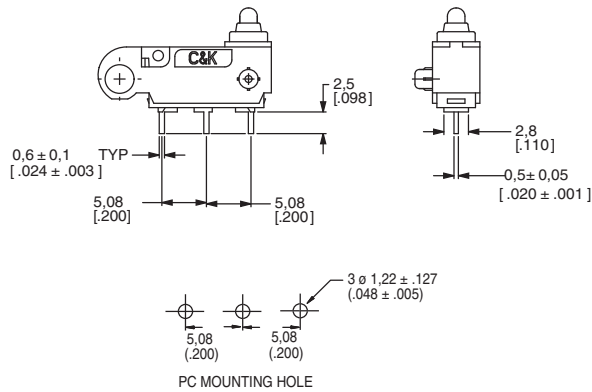


www.ck-components.com

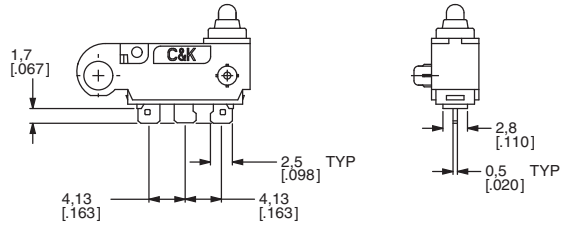
ZMSM Series with Mounting Hole Subminiature Snap-acting Switches (Dust Proof)

TERMINATIONS

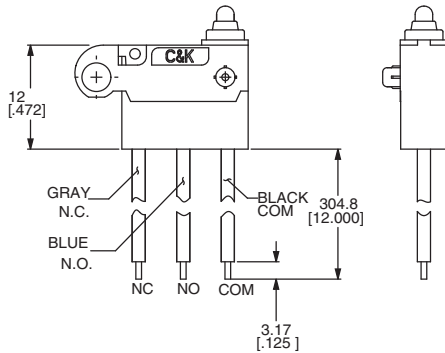
P PC THRU-HOLE



S SOLDER TYPE



J WIRE LEADS BOTTOM (IP67)



Standard Wire: 20 AWG UL 1007

Available options - must specify

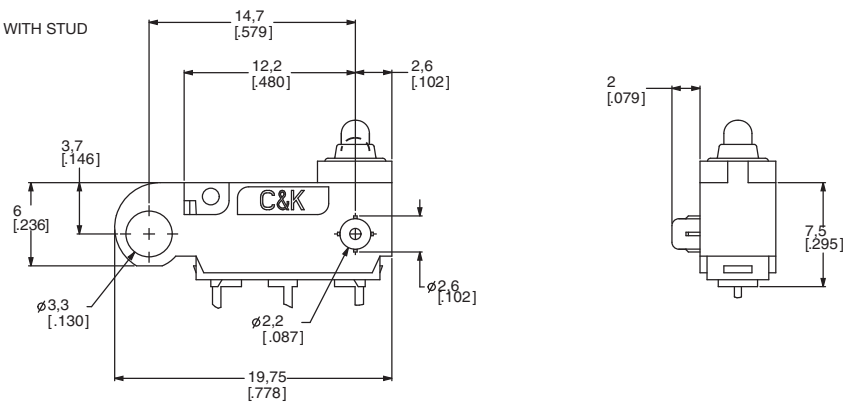
- 22AWG UL1430
- 24AWG UL1061
- 26AWG UL1330



Snap-acting

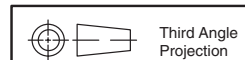
MOUNTING STYLES

M 3.30 DIAMETER MOUNTING HOLE WITH STUD



CIRCUITRY

- C** SPDT (Single Pole, Double Throw)
- W** SPST, NC (Single Pole, Single Throw, Normally Closed)
- Y** SPST, NO (Single Pole, Single Throw, Normally Open)



Dimensions are shown: mm (inch)
Specifications and dimensions subject to change

