

Standard Surface Mount LEDs

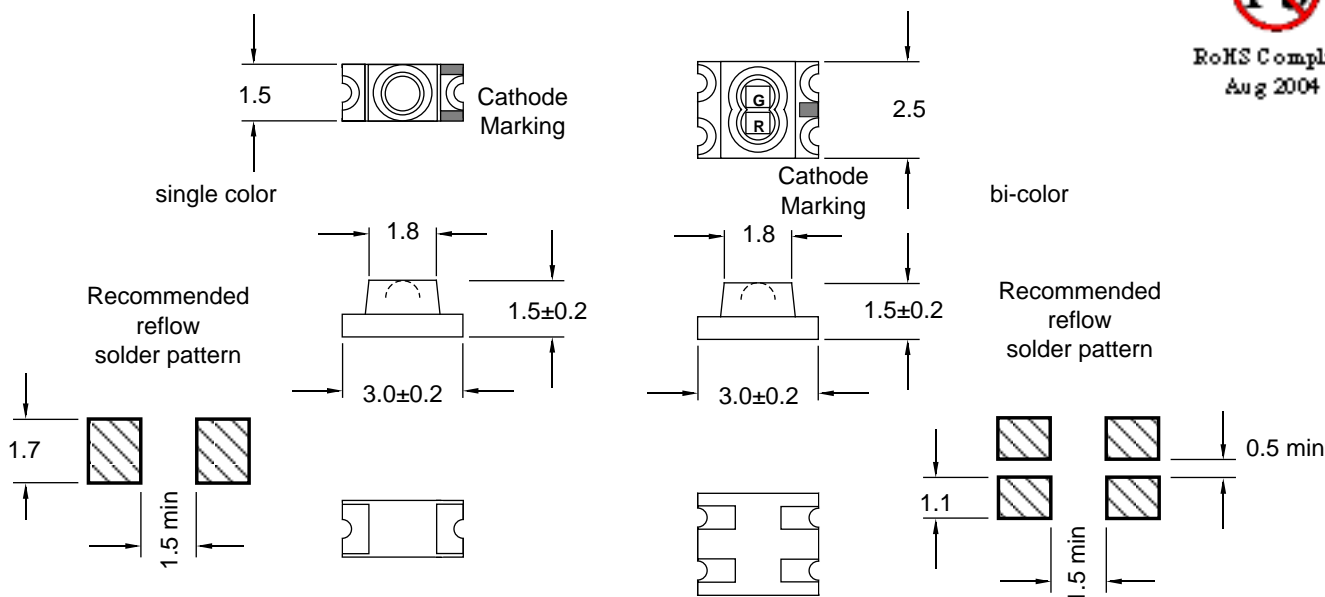
0118 Series "1206" Package with narrow viewing angle



The 0118 series lamps are miniature chip type designed for surface mounting. These lamps are of the so-called 1206 size, measuring approximately 1.5x3 mm (single color) and 2.5x3 mm (bi-color). These lamps are available in tape and reel packaging with approximately 2000 pieces per reel.



RoHS Compliant
Aug 2004



GENERAL INFORMATION

Operating Temperature Range	-40 °C to +85 °C
Storage Temperature Range	-40 °C to +90 °C
Reflow Soldering Temperature	260 °C for 5 sec max

APPLICATION INFORMATION (ALL RATINGS AT 25 °C AMBIENT)

Part No.	Emitted Color	Peak		Absolute Maximum Ratings					E/O Characteristics					
		λ	$\Delta\lambda$	Pd (mW)	If (mA)		Ir @Vr=5V (μA)	Vr (V)	Vf (V) @If=20mA			Iv (mcd) @ If=20mA		2Θ _{1/2} (Deg)
		(nm)	(nm)		dc	1/10 duty @ 1 kHz			Min	Typ	Max	Min	Typ	
ISRC0118	Red	660	20	100	30	200	100	5	-	1.7	2.4	19	33	20
IVRC0118	Red	640	45	70	25	90	100	5	-	2.0	2.8	7	18	20
IYVC0118	Yellow	585	35	70	20	90	100	5	-	2.0	2.8	8	19	20
IVGC0118	Green	570	30	70	25	90	100	5	-	2.1	2.8	13	26	20
IURC0118*	Red	660	20	100	30	200	100	5	-	1.7	2.4	9	26	20
IUVC0118	Yellow	590	15	70	30	160	100	5	-	2.1	2.8	43	73	20
IUGC0118	Green	570	30	70	30	90	100	5	-	2.1	2.8	13	34	20
ISRVGC0118	Red	660	20	100	30	200	100	5	-	1.7	2.4	24	41	20
	Green	570	30	70	25	90	100	5	-	2.1	2.8	14	23	20
ISRUGC0118	Red	660	20	100	30	200	100	5	-	1.7	2.4	19	35	20
	Green	570	30	70	30	90	100	5	-	2.1	2.8	11	30	20
IUBC0118	Blue	428	65	140	30	70	50	5	-	3.8	4.5	26	33	20
IUBC0118-7	Blue	470	26	140	30	70	50	5	-	3.5	4.0	35	44	20

Specifications subject to change without notice. Dimensions are in mm±0.3 unless stated otherwise. *reversed polarity

IDEA, Inc., 1351 Titan Way, Brea, CA 92821 Ph:714-525-3302, 800-LED-IDEA; Fax: 714-525-3304 0508

013S-0118