

The **SM1415-50LD** is a 1400-1500 MHz LDMOS amplifier designed for various military and commercial applications.

Features

- Mis-Match Protected
- Single Power Supply
- Temperature Compensation

Options

- Forward/Reverse Power Detection
- Temperature Monitor
- Logic On/Off Control
- Heatsink

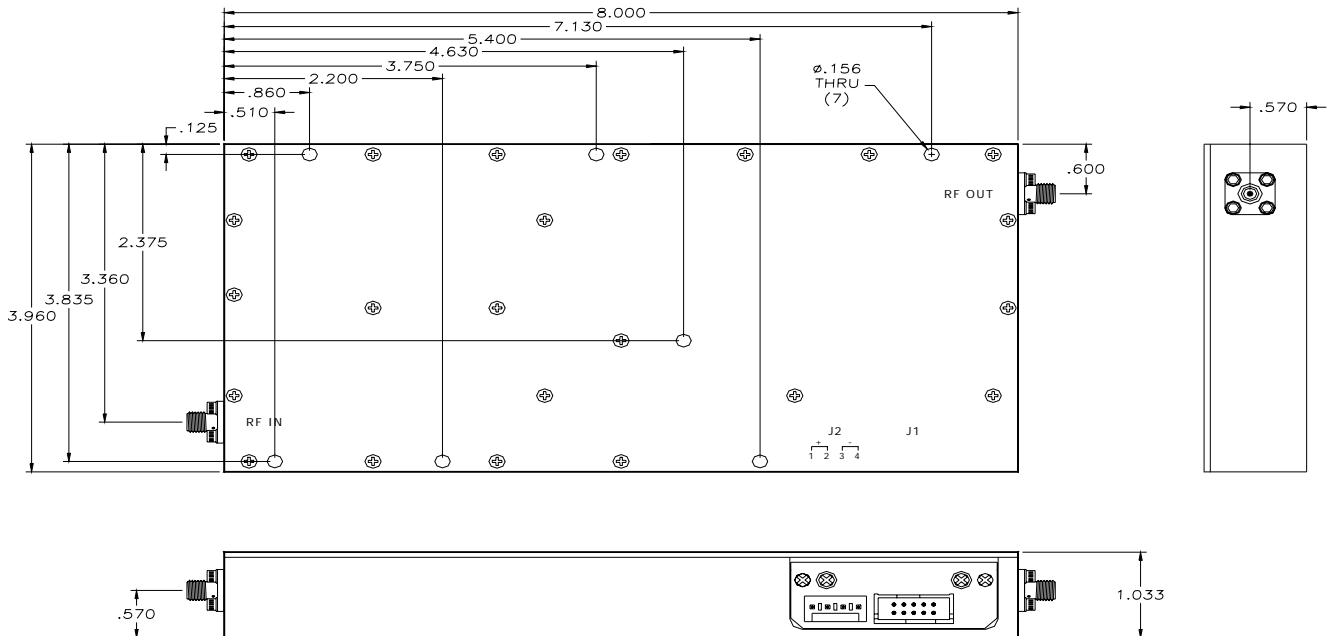
Configurations

- Module
- 19" Rack
- Bench-top Lab Unit



Parameter	Specification
Frequency Range	1400 - 1500 MHz
RF Power @ 1dB compression point	50 dBm
Linear Gain	54 dB \pm 1 dB
Gain Flatness over Full Band	\pm .75 dB
Input VSWR	-18 dB (min)
Output VSWR (Built-in Isolator)	-17 dB (min)
DC Input Voltage	+ 28 Volts
DC Current Operating	15 Amperes @ +50dBm (max.)
Mechanical Dimensions Without Heatsink	8.0 x 4.0 x .8 inches
RF Connectors	SMA Female
Operating Temperature	-30° C to +85° C
Operating Humidity	95% Non-condensing
Operating Altitude	Up to 10,000 feet above Sea Level

DIMENSIONS IN INCHES



DC Connector: 4 Pin Lock Header (J2)		Function
Pins 1,2	Purple	Supply Voltage (+28V)
Pins 3,4	Black	GND (-)
Alarm/Control Connector: 10 Pin Box Header (J1)		Function
Pin 1	Orange/White	Alarm Summary
Pin 2	Black	GND
Pin 3	Gray	Forward Power Detection (5V @ P1dB)
Pin 4	Yellow/White	Vendor ID
Pin 5	Green	Logic On/Off (0V = Off, 5V = On)
Pin 6	Blue	Temperature Monitor (5V @ 80 degC)
Pin 7	White	Reflected Power Detection (5V @ P1dB output into an open load)
Pin 8	Brown/White	N/C
Pin 9	Brown	N/C
Pin 10	Black	GND

1007 Whitehead Road Ext., Trenton, NJ 08638

Tel: (609) 538-8586 ♦ Fax: (609) 538-8587

Email: sales@stealthmicrowave.com ♦ Web site: www.stealthmicrowave.com