



DESCRIPTION

SM5212D is a remote control decoder paired with SM5212E utilizing CMOS Technology. It has 12-bit 2-state address pins providing a 2¹² address codes; thereby, drastically reducing any code collision and unauthorized code scanning possibilities. SM5212D is available in several options to suit every application needs : variable number of data output pins, latch or momentary output type.

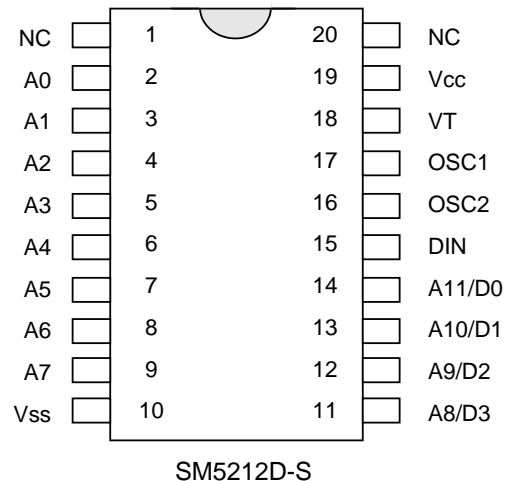
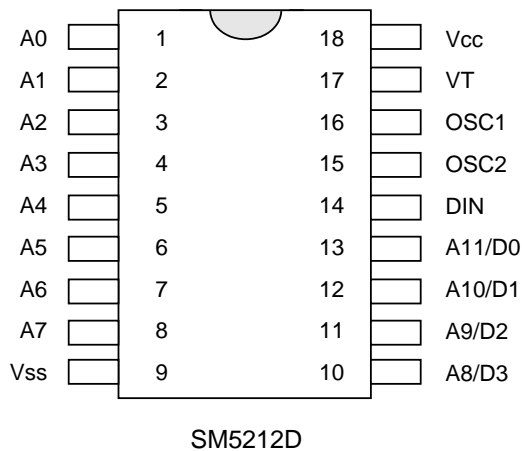
FEATURES

- * CMOS Technology
- * Low Power Consumption
- * Very High Noise Immunity
- * Up to 12 2-State Code Address Pins
- * Wide Range of Operating Voltage:
Vcc = 3 ~ 12 Volts
- * Single Resistor Oscillator
- * Available in DIP and SOP Package

APPLICATIONS

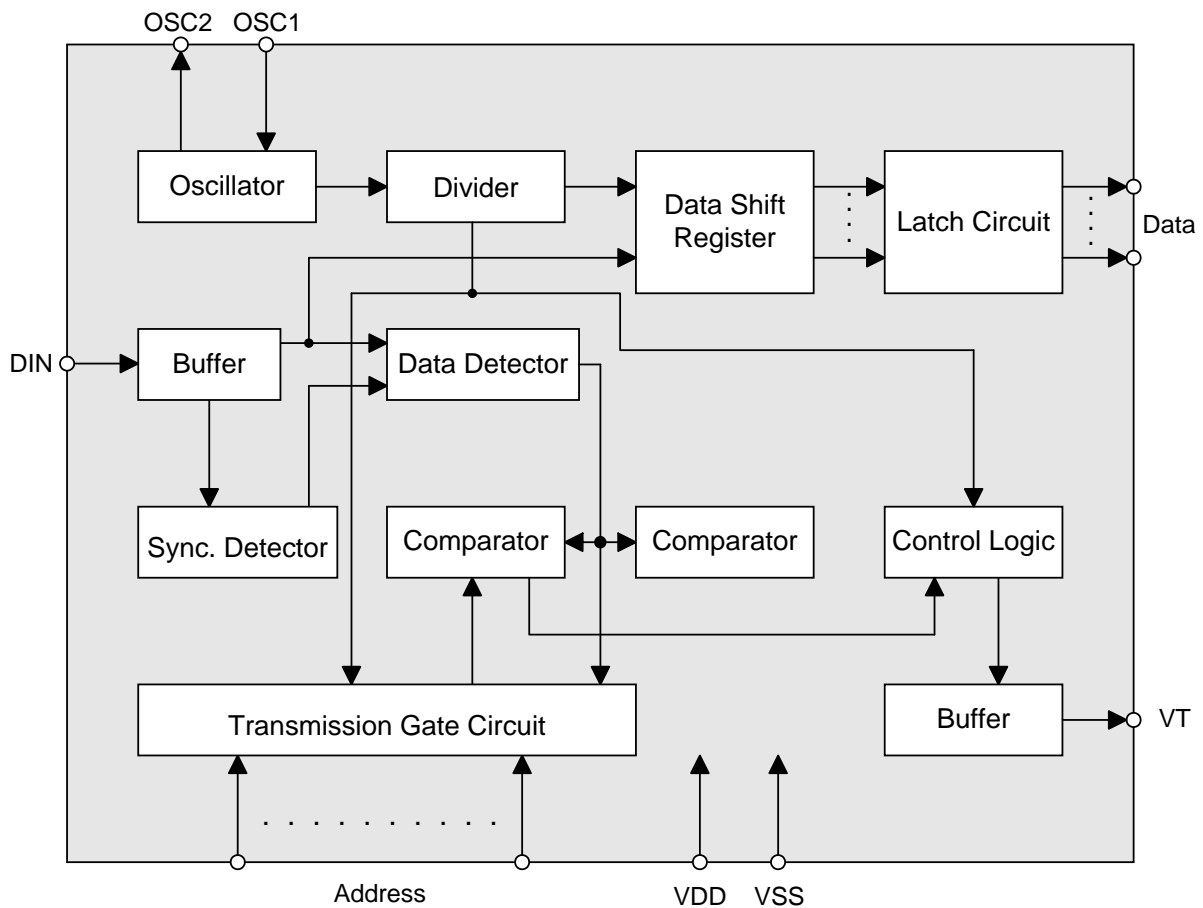
- * Car Security
- * Garage Door
- * Home Security/Automation System
- * Toys
- * Remote Control for Industrial Use

PIN CONFIGURATION (DIP)





BLOCK DIAGRAM



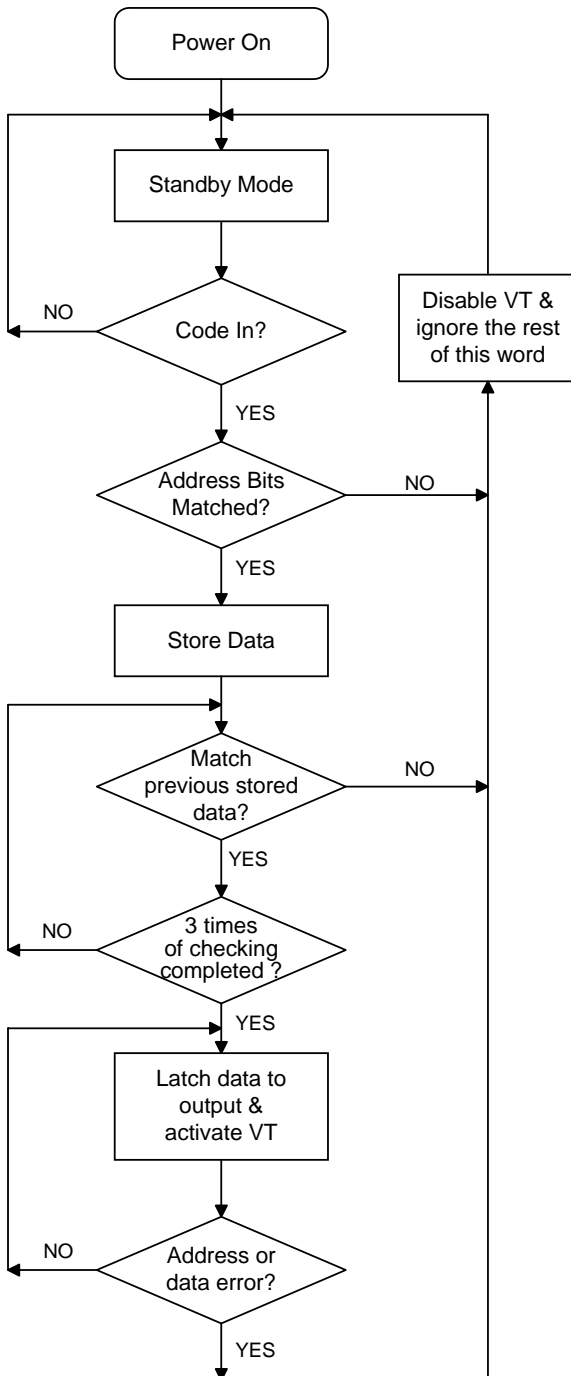


PIN DESCRIPTION

NO.	PIN NAME	I / O	FUNCTION
1	A0	I	Address input , each pin can be set to "0" , "1".
2	A1	I	
3	A2	I	
4	A3	I	
5	A4	I	
6	A5	I	
7	A6	I	
8	A7	I	
9	V _{SS}	POWER	Negative power supply.
10	D3	O	Address/Data output active high.
11	D2	O	
12	D1	O	
13	D0	O	
14	DI	I	Receive from RF module.
15	OSC1	I	Resistor connected between these two pins determine the system clock.
16	OSC2	O	
17	VT	O	Valid transmission indication.
18	V _{DD}	POWER	Positive power supply.



Decoder with Data Output Pins



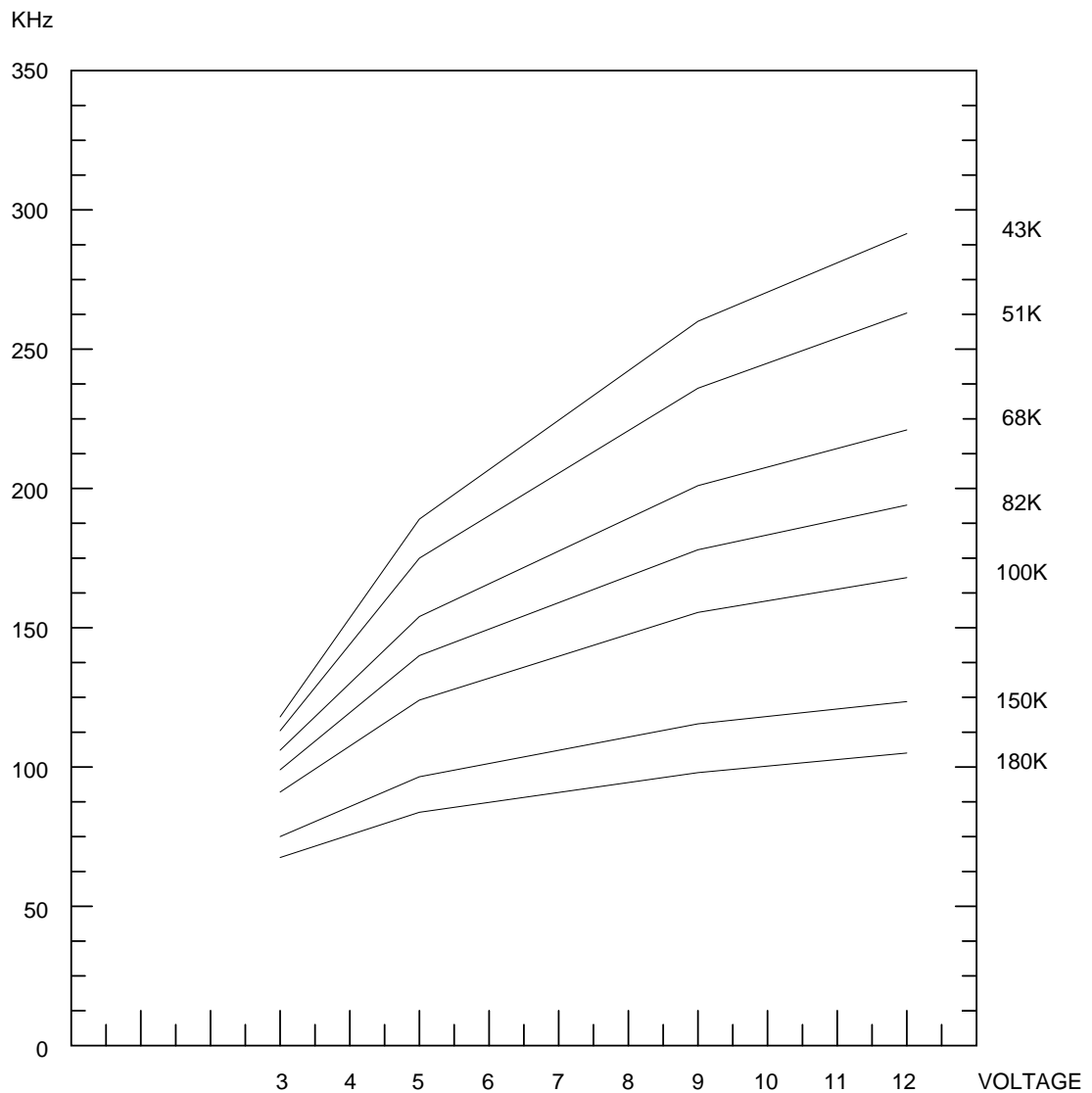
After Power On SM5212D is set in Address search mode, if SM5212D finds 3 consecutive Address that matches the Address setting of SM5212D. SM5038RF will enter Data Compare mode. It will compare perviously 3 received data, if they match then SM5212D will set VT high and send data O/P.



Single Resistor Oscillator

SM5212D's oscillator can be constructed by connecting a resistor between OSC1 and OSC2 pin.

Encoder OSC Frequency



The recommended oscillator frequency is F_{oscD} (SM5212D decoder) = $\sqrt{10}$ F_{oscD} (SM5212E encoder)



ABSOLUTE MAXIMUM RATINGS

Parameter	Symbol	Conditions	Ratings	Unit
Supply Voltage	$V_I - V_{SS}$		-0.3~13	V
Input Voltage	$V_{SS} - V_{DD}$		$V_{SS}-0.3\sim V_{DD}+0.3$	V
Operating Temperature	T_{opr}		-20~75	°C
Storage Temperature	T_{stg}	$V_{DD} - V_{SS} = 12V$	-50~125	°C

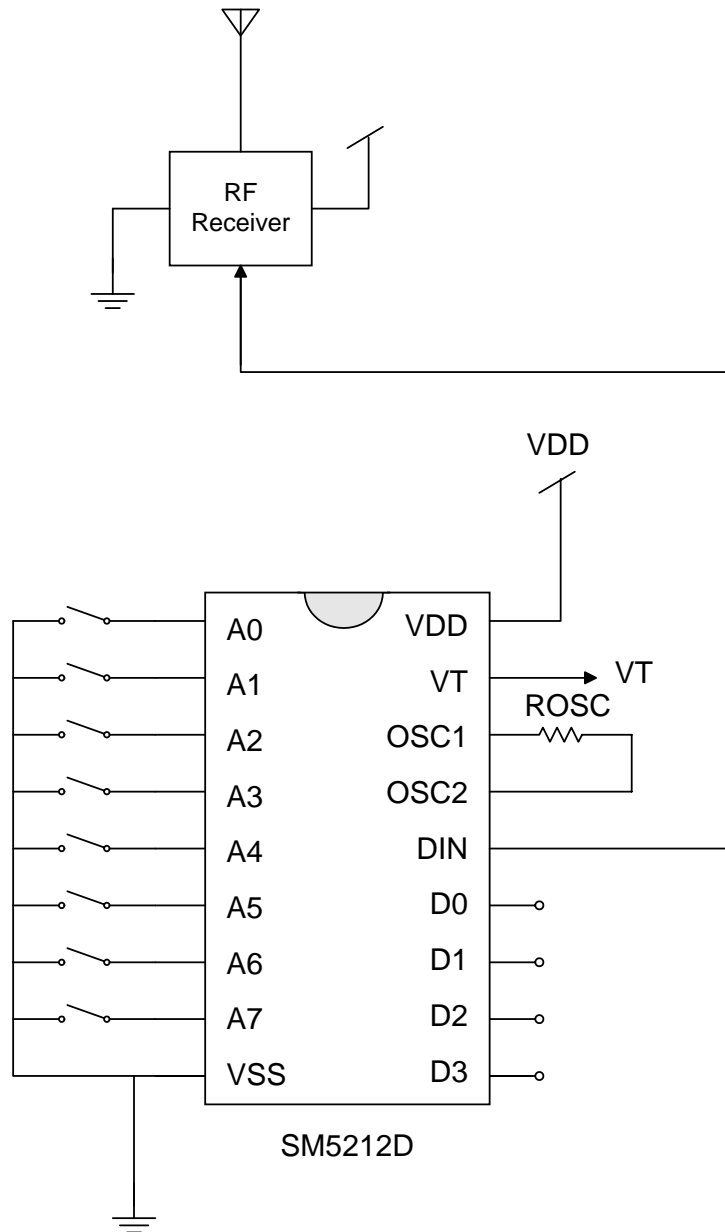
DC ELECTRICAL CHARACTERISTICS

($T_a=25\text{ }^\circ\text{C}$)

PARAMETER	SYMBOL	CONDITIONS	LIMIT			UNIT
			MIN.	TYP.	MAX.	
Operating Voltage	V_{DD}		2.4	5	12	V
Standby Current	ISTB	$V_{DD}=5V$ OSC stop	-	0.1	1	μA
		$V_{DD}=12V$ OSC stop	-	2	4	μA
Operating Current	I_{DD}	$V_{DD}=5V$ No load $F_{osc}=150\text{kHz}$	-	200	400	μA
Data Output Source Current (D8~D11)	I_O	$V_{DD}=5V$ $V_{OH}=4.5V$	-1	-1.6	-	mA
Data Output Sink Current (D8~D11)	I_O	$V_{DD}=5V$ $V_{OL}=0.5V$	1	1.6	-	mA
VT Output Source Current VT Output Sink Current	I_{VT}	$V_{DD}=5V$ $V_{OH}=4.5V$	-1	-1.6	-	mA
		$V_{DD}=5V$ $V_{OL}=0.5V$	1	1.6	-	mA
"H" Input Voltage	V_{IH}	- ($V_{DD}=5V$)	3.5	-	5	V
"L" Input Voltage	V_{IL}	- ($V_{DD}=5V$)	0	-	1	V
Oscillator Frequency	FOCS	$V_{DD}=5V$ $R_{OSC}=51\text{k}\Omega$	-	150	-	kHz



APPLICATION CIRCUIT





ORDERING INFORMATION

Part NO.	Package
SM5212D	18Pin DIP

Part NO.	Package
SM5212D-S	20Pin SOP

