

## SM13T Series Miniature SMD Crystal

August 2007

- The Pletronics' SM13T Series is a miniature surface mount crystal.
- The package is ideal for automated surface mount assembly and reflow practices.
- Tape and Reel packaging
- 6 MHz to 70 MHz Fundamental
- 40 MHz to 100 MHz 3<sup>rd</sup> Overtone
- 5 x 7 mm 4 pad
- AT Cut Crystals
- Ideal for use in hand held consumer products.
- High endurance version available

**Pletronics Inc. certifies this device is in accordance with the  
RoHS 6/6 (2002/95/EC) and WEEE (2002/96/EC) directives.**

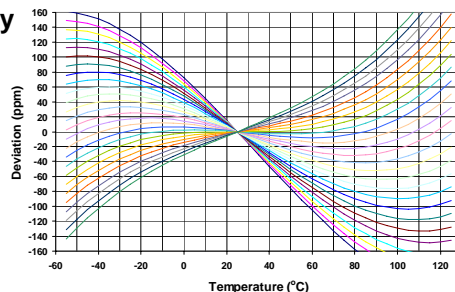
Pletronics Inc. guarantees the device does not contain the following:  
Cadmium, Hexavalent Chromium, Lead, Mercury, PBB's, PBDE's  
Weight of the Device: 0.16 grams  
Moisture Sensitivity Level: 1 As defined in J-STD-020C  
Second Level Interconnect code: e4



### Electrical Specification:

Item	Min	Max	Unit	Condition	
Frequency Range	6	70	MHz	Fundamental	
	40	100	MHz	3 <sup>rd</sup> overtone	
Calibration Frequency Tolerance	10	50	ppm	at +25°C ± 3°C, see part number for options	
Frequency Stability over OTR	10	150	ppm	see part number for available options	
Equivalent Series Resistance (ESR)	-	100	Ohms	6 MHz to 7.4 MHz	Fundamental
	-	60	Ohms	7.4 MHz to 9.8 MHz	
	-	50	Ohms	9.8 MHz to 20 MHz	
	-	40	Ohms	20 MHz to 70 MHz	
	-	80	Ohms	40 MHz to 100 MHz	3 <sup>rd</sup> Overtone
Drive Level	-	100	µW	use 10 µW for testing	
Shunt Capacitance (C0)	-	7	pF	Pad to Pad capacitance	
Aging	-5	+5	ppm /Yr	for the first year at +25°C ± 3°C	
	-2	+2	ppm /Yr	after the first year at +25°C ± 3°C	
Operating Temperature Range	-40	+125	°C	see part number for available options	
Storage Temperature Range	-55	+125	°C		

### AT Cut Crystal Frequency versus Temperature Typical Performance:



Product information is current as of publication date. The product conforms to specifications per the terms of the Pletronics standard warranty. Production processing does not necessarily include testing of all parameters.

Copyright © 2006, 2007, Pletronics Inc.

**Part Number:**

SM13T -18 -12.0M -50 H 1 E G -XX

See chart below for available options

Internal code or blank
<b>Highest Specified Operating Temperature</b> <b>A</b> = 40°C <b>G</b> = 70°C <b>N</b> = 100°C <b>B</b> = 45°C <b>H</b> = 75°C <b>P</b> = 105°C <b>C</b> = 50°C <b>J</b> = 80°C <b>R</b> = 110°C <b>D</b> = 55°C <b>K</b> = 85°C <b>S</b> = 115°C <b>E</b> = 60°C <b>L</b> = 90°C <b>T</b> = 120°C <b>F</b> = 65°C <b>M</b> = 95°C <b>U</b> = 125°C
<b>Lowest Specified Operating Temperature</b> <b>A</b> = +10°C <b>F</b> = -15°C <b>L</b> = -40°C <b>B</b> = +5°C <b>G</b> = -20°C <b>M</b> = -45°C <b>C</b> = 0°C <b>H</b> = -25°C <b>N</b> = -50°C <b>D</b> = -5°C <b>J</b> = -30°C <b>P</b> = -55°C <b>E</b> = -10°C <b>K</b> = -35°C
<b>Mode:</b> 1 = Fundamental      3 = 3rd Overtone
<b>Frequency Stability</b> See chart below
<b>Calibration Frequency Tolerance</b> (Typ. Values shown) <b>10</b> = $\pm 10$ ppm at 25°C $\pm 3^\circ\text{C}$ <b>20</b> = $\pm 20$ ppm at 25°C $\pm 3^\circ\text{C}$ <b>50</b> = $\pm 50$ ppm at 25°C $\pm 3^\circ\text{C}$ (Standard)
<b>Frequency in MHz</b>
<b>Load in pF</b> Load Resonance from <b>06</b> to <b>32</b> pF (18 pF Std) -or- <b>SR</b> = Series Resonance
<b>Series Model</b> <b>SM13T</b> = Standard Version <b>SM13TS</b> = High Endurance Version

Available Frequency Stability versus Temperature in ppm

Operating Temperature Range	CODE	A	B	C	D	E	F	G	H	J	K
		$\pm 3.0$	$\pm 5.0$	$\pm 8.0$	$\pm 10$	$\pm 15$	$\pm 20$	$\pm 30$	$\pm 50$	$\pm 100$	$\pm 150$
0 to +45°C	CB	•	•	•	•	•	•	•	•	•	•
0 to +50°C	CC	•	•	•	•	•	•	•	•	•	•
0 to +60°C	CE	•	•	•	•	•	•	•	•	•	•
0 to +70°C	CG		•	•	•	•	•	•	•	•	•
-10 to +50°C	EC		•	•	•	•	•	•	•	•	•
-10 to +60°C	EE		•	•	•	•	•	•	•	•	•
-10 to +75°C	EH			•	•	•	•	•	•	•	•
-20 to +70°C	GG			•	•	•	•	•	STD	•	•
-20 to +75°C	GH				•	•	•	•	•	•	•
-30 to +75°C	JH				•	•	•	•	•	•	•
-30 to +80°C	JJ				•	•	•	•	•	•	•
-30 to +85°C	JK				•	•	•	•	•	•	•
-35 to +80°C	KJ					•	•	•	•	•	•
-40 to +85°C	LK					•	•	•	•	•	•
-40 to +90°C	LL					•	•	•	•	•	•
-40 to +105°C	LP					•	•	•	•	•	•
-40 to +125°C	LU						•	•	•	•	•

## Legacy Part Number (not for new designs):

SM13T	B	E	-18	-11.0592M	-XX	
						<b>Internal code or blank</b>
						<b>Frequency in MHz</b>
						<b>Load in pF</b> Parallel Resonance from 6 to 32 pF or <b>SR</b> = Series Resonance
						<b>Operating Temperature Range</b> Blank = 0 to +70°C E = -40 to +85°C
						<b>Calibration Tolerance / Frequency Stability</b> Blank = 50/50 (Standard) A = 30/50 B = 30/30 C = 15/30 D = 10/20 (not all frequencies)
						<b>Series Model</b> <b>SM13T</b> = Standard Version <b>SM13TS</b> = High Endurance Version





## Reliability: Environmental Compliance

Parameter	Condition for SM13T	SM13TS
Mechanical Shock	MIL-STD-883 Method 2002, Condition B	Condition D
Vibration	MIL-STD-883 Method 2007, Condition A	Condition B
Solderability	MIL-STD-883 Method 2003	same
Thermal Shock	MIL-STD-883 Method 1011, Condition A	same

## Package Labeling

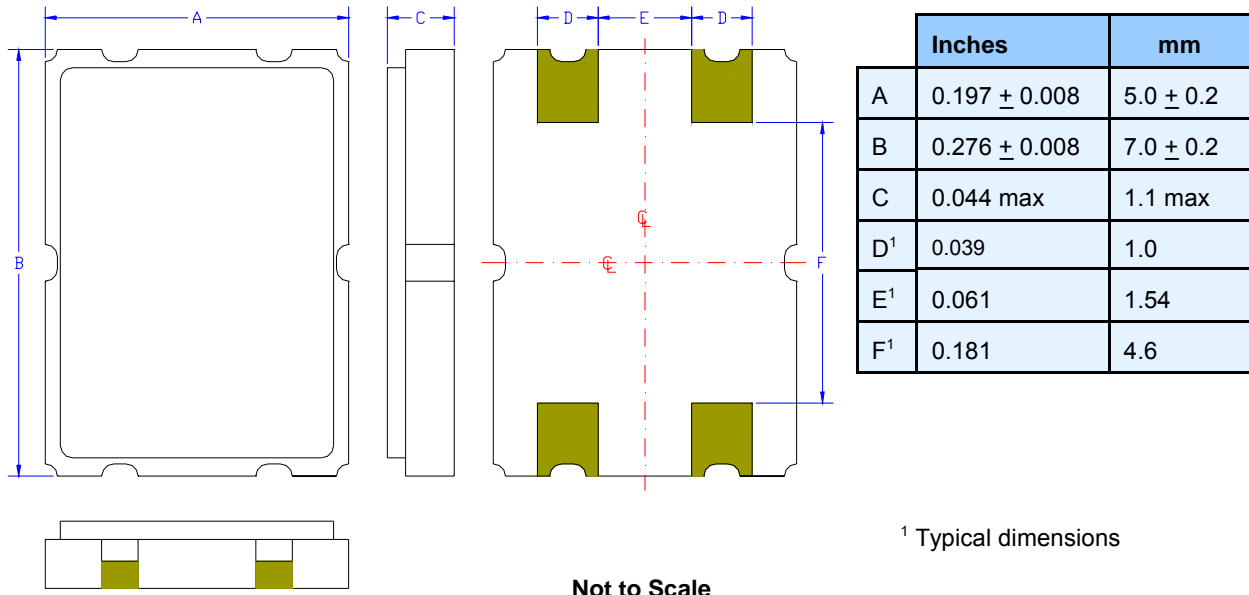
Label is 1" x 2.6" (25.4mm x 66.7mm)  
Font is Courier New  
Bar code is 39-Full ASCII

Label is 1" x 2.6" (25.4mm x 66.7mm)  
Font is Arial

P/N:	
	SM13T-18-14.31818M-20E1LK
Customer P/N:	
	12345678
Qty:	
	1000
D/C:	
	504

<b>RoHS Compliant</b>
2nd LvL Interconnect
Category=e4
Max Safe Temp=260C for 10s 2X Max

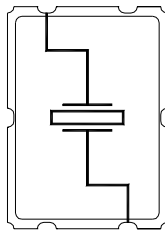
## Mechanical:



### Contacts :

Gold 11.8 μinches 0.3 μm minimum over Nickel 50 to 350 μinches 1.27 to 8.89 μm

## Connection (top view):



The pads shown not connected to the crystal are common and connected to the metal cover.

## Layout and application information

- Trace lengths to the crystal should be kept as short as possible.
- The crystal connections are sensitive to noise.
- The package should be grounded for optimum performance.

### Part Marking:

**SM13Tx**      or      **SM13TSx**      or      **SM13T-zz**  
*FFF.FFFM*           *FFF.FFFM*           *FFF.FFFM*  
**PLEymdz**           **PLEymdz**           **PLEyywzz**

### Legend:

- PLE            = Pletronics
- x             = Capacitance load code from below
- FFF.FFM*    = Frequency in MHz
- YMD*        = Date of Manufacture (year, month and day)
- All other marking is internal factory codes

Specifications such as frequency tolerance and operating temperature range, etc. are not identified from the marking. External packaging labels and packing list will correctly identify the ordered Pletronics part number.

- Orientation of marking may be mixed on the tape
- Traceability of part is lost once removed from reel

Code	A	B	C	D	E	F	G	H	J	K	L	M	N	P	Q	R	S	T	U	V	W	X	Y
pF	10	12	13	8	15	18	20	22	24	26	28	30	32	34	36	27	series	33	50	19	16	17	14

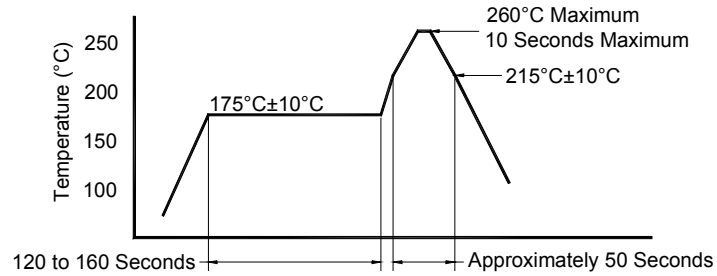
### Codes for Date Code YMD

Code	6	7	8	9	0	1	2
Year	2006	2007	2008	2009	2010	2011	2012

Code	A	B	C	D	E	F	G	H	J	K	L	M
Month	JAN	FEB	MAR	APR	MAY	JUN	JUL	AUG	SEP	OCT	NOV	DEC

Code	1	2	3	4	5	6	7	8	9	A	B	C
Day	1	2	3	4	5	6	7	8	9	10	11	12
Code	D	E	F	G	H	J	K	L	M	N	P	R
Day	13	14	15	16	17	18	19	20	21	22	23	24
Code	T	U	V	W	X	Y	Z					
Day	25	26	27	28	29	30	31					

## Reflow Cycle (typical for lead free processing)



The part may be reflowed 2 times without degradation.

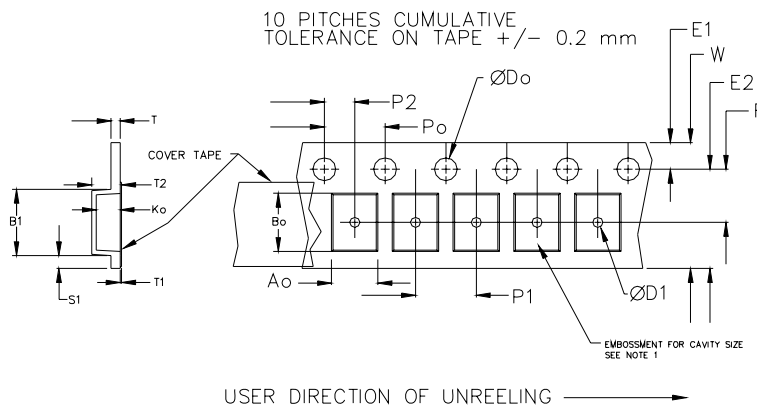
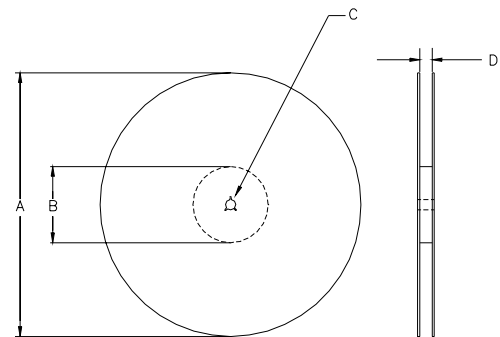
Allowed rate of temperature change  
Maximum 4°C per second

**Tape and Reel: available for quantities of 250 to 3000 per reel (<1000 will be cut tape)**

Constant Dimensions Table 1								
Tape Size	D0	D1 Min	E1	P0	P2	S1 Min	T Max	T1 Max
8mm	1.5	1.0	1.75	4.0	2.0 ±0.05	0.6	0.25	0.1
12mm		1.5			2.0 ±0.1			
16mm		+0.1 -0.0			±0.1			
24mm		1.5			±0.1			

Variable Dimensions Table 2							
Tape Size	B1 Max	E2 Min	F	P1	T2 Max	W Max	Ao, Bo & Ko
16 mm	8.1	14.25	7.5 ±0.1	12.0 ±0.1	1.8	16.3	Note 1

Note 1: Embossed cavity to conform to EIA-481-B Dimensions in mm Not to scale



REEL DIMENSIONS					
A	inches	7.0	10.0	13.0	Tape Width
	mm	177.8	254.0	330.2	
B	inches	2.50	4.00	3.75	Tape Width
	mm	63.5	101.6	95.3	
C	mm	13.0 +0.5 / -0.2			Tape Width
D	mm	16.4 +2.0 -0.0	16.4 +2.0 -0.0	16.4 +2.0 -0.0	

Reel dimensions may vary from the above

## IMPORTANT NOTICE

Pletronics Incorporated (PLE) reserves the right to make corrections, improvements, modifications and other changes to this product at anytime. PLE reserves the right to discontinue any product or service without notice. Customers are responsible for obtaining the latest relevant information before placing orders and should verify that such information is current and complete. All products are sold subject to PLE's terms and conditions of sale supplied at the time of order acknowledgment.

PLE warrants performance of this product to the specifications applicable at the time of sale in accordance with PLE's limited warranty. Testing and other quality control techniques are used to the extent PLE deems necessary to support this warranty. Except where mandated by specific contractual documents, testing of all parameters of each product is not necessarily performed.

PLE assumes no liability for application assistance or customer product design. Customers are responsible for their products and applications using PLE components. To minimize the risks associated with the customer products and applications, customers should provide adequate design and operating safeguards.

PLE products are not designed, intended, authorized or warranted to be suitable for use in life support applications, devices or systems or other critical applications that may involve potential risks of death, personal injury or severe property or environmental damage. Inclusion of PLE products in such applications is understood to be fully at the risk of the customer. Use of PLE products in such applications requires the written approval of an appropriate PLE officer. Questions concerning potential risk applications should be directed to PLE.

PLE does not warrant or represent that any license, either express or implied, is granted under any PLE patent right, copyright, artwork or other intellectual property right relating to any combination, machine or process which PLE product or services are used. Information published by PLE regarding third-party products or services does not constitute a license from PLE to use such products or services or a warranty or endorsement thereof. Use of such information may require a license from a third party under the patents or other intellectual property of the third party, or a license from PLE under the patents or other intellectual property of PLE.

Reproduction of information in PLE data sheets or web site is permissible only if the reproduction is without alteration and is accompanied by associated warranties, conditions, limitations and notices. Reproduction of this information with alteration is an unfair and deceptive business practice. PLE is not responsible or liable for such altered documents.

Resale of PLE products or services with statements different from or beyond the parameters stated by PLE for that product or service voids all express and implied warranties for the associated PLE product or service and is an unfair or deceptive business practice. PLE is not responsible for any such statements.

### Contacting Pletronics Inc.

Pletronics Inc.  
19013 36<sup>th</sup> Ave. West  
Lynnwood, WA 98036-5761 USA

Tel: 425-776-1880  
Fax: 425-776-2760  
E-mail: [ple-sales@pletronics.com](mailto:ple-sales@pletronics.com)  
URL: [www.pletronics.com](http://www.pletronics.com)

Copyright © 2006, 2007, Pletronics Inc.