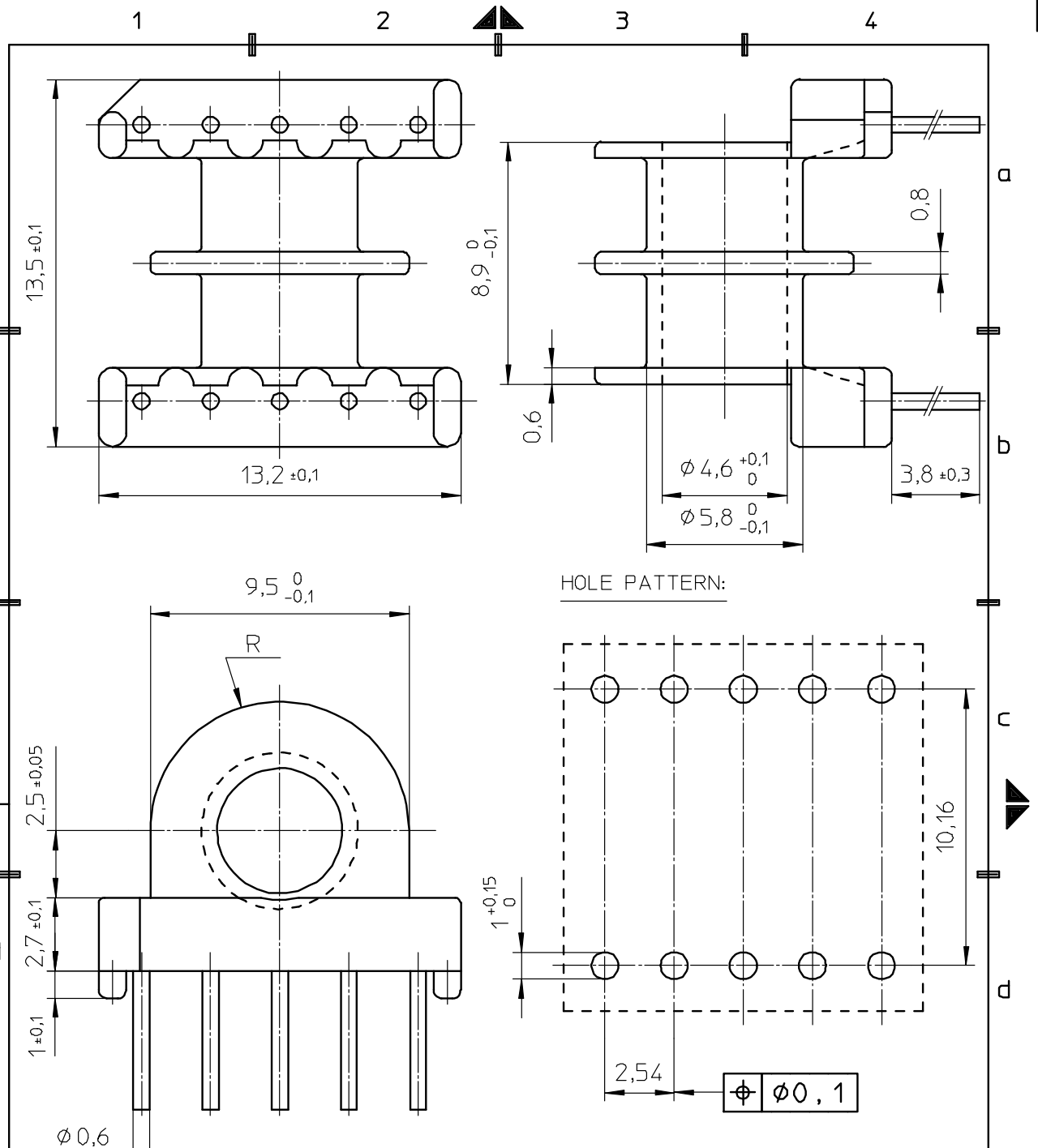
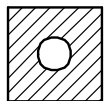
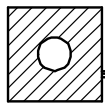


FERROXCUBE



HOLE PATTERN:

Coil former material: Sumikon PM9820 (PF), glass-reinforced.
 UL file number: E41429 - UL94V-0.
 Pin material: Copper-clad steel, Sn plated.
 Max. operating temp.: 180°C.
 Resistance to soldering heat: upto 500°C.
 Solderability: IEC 60 068-2-20 Part 2, Test Ta, method 1.
 Winding area: 12,6 mm².(2x6,3)
 Mean length of turn: 23,1mm.

| | | | | | |
|--------------|-----------------|------------------|----------------|-----------------------------|-------------------|
| CLASSNO. | CSH-EP13-2S-10P | | 4322 021 35061 | | 92-06-25 |
| | | | | | 94-02-22 |
| | | | | | 99-10-06 |
| | | | | | 2004-09-28 |
| NAME NAAM | M.Veekens | SUPERS. VERV. | 1 SH BL | 112 - 001 | 010 |
| MPA | CHECK CONTR. | DAT. | 92-06-25 | Property of Eigendom van | © FERROXCUBE 2000 |
| | | | | | A4 |