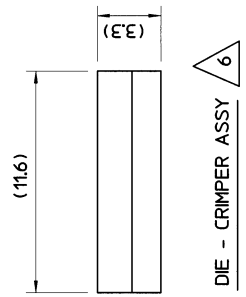
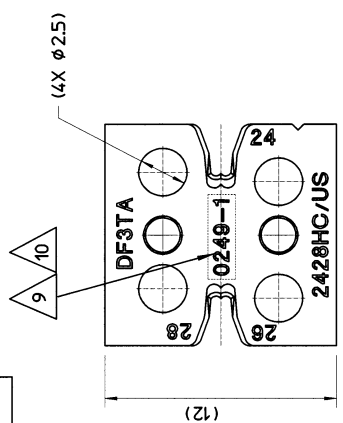
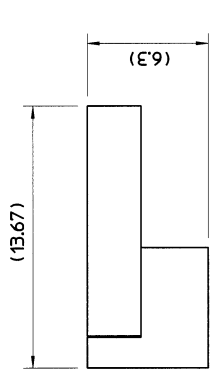
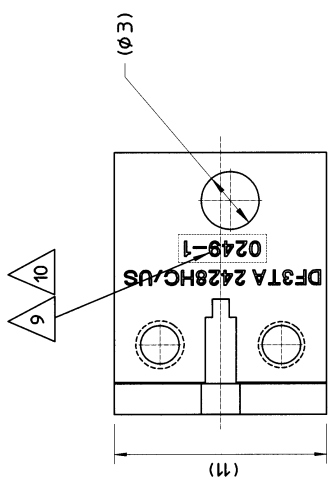


ZONE	REV.	DESCRIPTION	DATE	APPROVED
	N/R	NEW RELEASE	2/10/03	KING
	A	REVISED PER DCN# 0872	5/9/03	A.S.

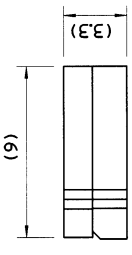
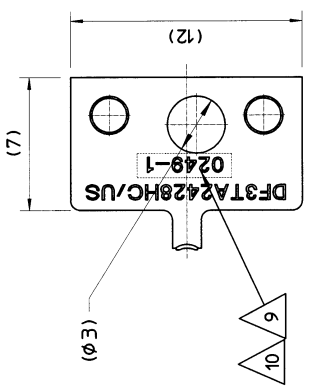
THE INFORMATION CONTAINED HEREIN IS PROPRIETARY TO HIROSE ELECTRIC (USA), INC. ALL RIGHTS THEREIN ARE RESERVED AND SHALL NOT BE USED, DUPLICATED, OR FURTHER DISSEMINATED FOR ANY PURPOSE WITHOUT THE CONSENT OF HIROSE ELECTRIC (USA), INC.



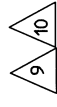
DIE - CRIMPER ASSY 6



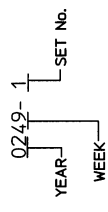
DIE - CONTACT HOLDER ASSY 6



DIE - ANVIL ASSY 6



DATE CODE EXPLANATION:



11. PACKAGING: CARDBOARD BOX, SIZE 203mm X 76mm X 51mm (8" X 3" X 2").
 10. ALL THREE (3) DIES ARE SOLD AS MATCHING ASSEMBLY ONLY, AND TO BE MARKED WITH THE SAME DATE CODE.
 9. DATE CODE AND SET No.; SEE EXAMPLE FOR EXPLANATION.
 8. PART/No. DF3-TA2428HC/US-DS TO BE PURCHASED AS A SET ONLY.
 7. RECOMMENDED NUMBER OF CRIMPING CYCLES - 15,000.
 6. FOR ASSEMBLY, INSTALLATION AND OPERATION OF THIS DIE SET REFER TO INSTRUCTION MANUAL P/No. PS076.

5. THIS DIE SET RECOMMENDED TO BE USED ONLY WITH APPLICABLE HAND CRIMP TOOL, P/No. HRUS-HT-1, TO CRIMP SOCKET TERMINAL, P/No. DF3-2428SC/SCC.
 4. APPLICABLE WIRE STYLE: UL 1007, AWG 24, 26 AND 28.
 3. MATERIAL AND FINISHES:
 DIES, ANVILS, CONTACT STOPPER AND SPACER BLOCK- TOOL STEEL.
 2. DIMENSIONS IN () ARE FOR REFERENCE ONLY
 1. DIMENSIONING AND TOLERANCING PER ANSI/ASME Y14.5M-1994

NOTES (UNLESS OTHERWISE SPECIFIED)

CUSTOMER USE DRAWING

OAG18 FROM NO. 18 TYPICAL PROJECTION 	MAKE ALL DIMENSIONS UNLESS SPECIFIED OTHERWISE IN MILLIMETERS X = +0.1 XX = +0.05 XXX = +0.03 ANGLE = 45°	APPROVALS Luis Lostaunau Alla Sticher Mac Nagashima Kris McGuire	DATE 02/06/03 02/07/03 02/07/03 02/10/03
	HRS HIROSE ELECTRIC (USA), INC. SHIM VALLEY, CALIFORNIA 95065 PART NUMBER DF3-TA2428HC/US-DS CL. NUMBER 5920-8500-0	SIZE B REV. A	APPLICATION N/A SCALE 1 OF 1