

***THIS DOCUMENT IS FOR MAINTENANCE
PURPOSES ONLY AND IS NOT
RECOMMENDED FOR NEW DESIGNS***



SP8789

225MHz ÷ 20/21 TWO MODULUS DIVIDER

The SP8789 is a low power programmable ÷20/21 counter. It divides by 20, when the control input is in the high state and by 21 when in the low state. An internal voltage regulator allows operation from a wide range of supply voltages.

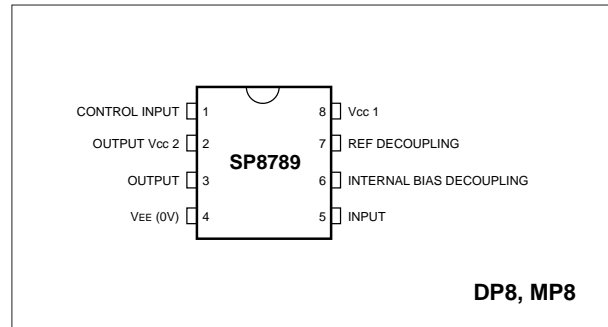


Figure 1 Pin connections - top view

FEATURES

- Very Low Power
- Control Input and Output CMOS/TTL Compatible
- AC Coupled Input
- Operation up to 9.5V using Internal Regulator

QUICK REFERENCE DATA

- Supply Voltage 5.2V or 6.8V to 9.5V
- Power consumption: 26mW Typical
- Temperature range: -40°C to +85°C

ABSOLUTE MAXIMUM RATINGS

| | |
|---------------------------|------------------------------|
| Supply voltage | 6.0V pins 7 & 8 tied |
| Supply voltage | 13.5V pin 8, pin 7 decoupled |
| Storage temperature range | -55°C to +125°C |
| Max. Junction temperature | +175°C |
| Max. clock input voltage | 2.5V p-p |
| Vcc2 | Max. 10V |

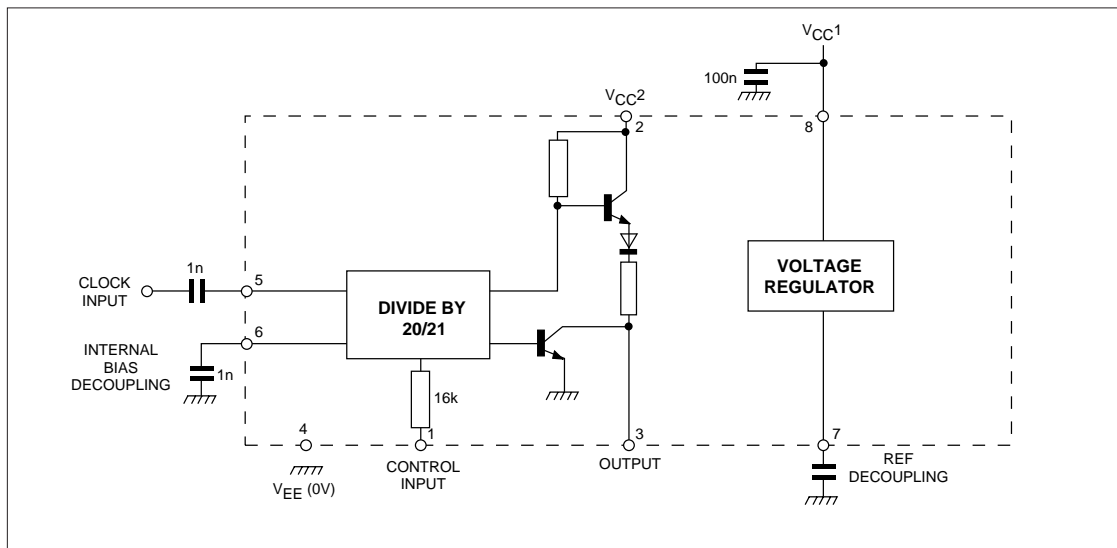


Figure 2 : Functional diagram SP8789

SP8789

ELECTRICAL CHARACTERISTICS

Test conditions (unless otherwise stated):]

Supply voltage : $V_{CC} 1 \ \& \ 2 = 5.2 \pm 0.25V$ or 6.8V to 9.5V (see Operating Note 7):

$V_{EE} = 0V$; Temperature $T_{amb} = -40^{\circ}C$ to $+85^{\circ}C$

| Characteristics | Symbol | Value | | Units | Notes | Conditions |
|---------------------------------------|-----------|-------|------|-------|--------|--|
| | | Min. | Max. | | | |
| Maximum frequency (sinewave input) | f_{max} | 225 | | MHz | Note 4 | Input = 200-800mV p-p |
| Minimum frequency (sinewave input) | f_{min} | | 20 | MHz | Note 4 | Input = 400-800mV p-p |
| Power supply current | I_{EE} | | 7 | mA | Note 4 | |
| Control input high voltage | V_{INH} | 4 | | V | Note 4 | |
| Control input low voltage | V_{INL} | | 2 | V | Note 4 | |
| Output high voltage | V_{OH} | 2.4 | | V | Note 4 | Pins 2, 7 and 8 linked $V_{CC} = 4.95V$ $I_{OH} = 100\mu A$ |
| Output low voltage | V_{OL} | | 0.5 | V | Note 4 | Pin 2 linked to 8 and 7 $I_{OL} = 1.6mA$ |
| Set up time | t_s | 14 | | ns | Note 3 | 25°C |
| Release time | t_r | 20 | | ns | Note 3 | 25°C |
| Clock to output propagation time | t_p | | 45 | ns | Note 3 | 25°C |

NOTES

1. Unless otherwise stated the electrical characteristics are guaranteed over full specified supply, frequency and temperature range.
2. The test configuration for dynamic testing is shown in Fig.6.
3. Guaranteed but not tested.
4. Tested only at 25°C

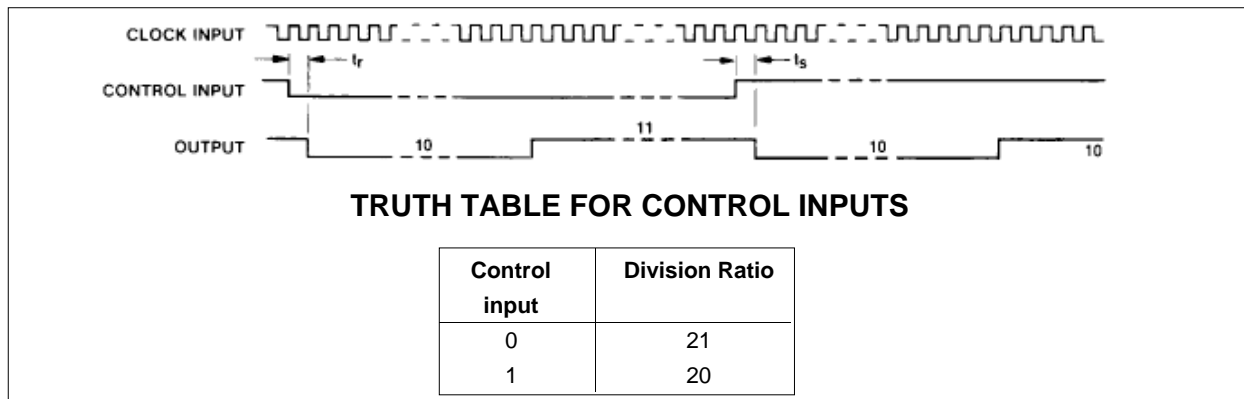


Figure 3 : Timing diagram SP8789

NOTES

The set-up time t_s is defined as the minimum time that can elapse between a L → H transition of the control input and the next L → H clock pulse transition to ensure that the ÷ 20 mode is selected.

The release time t_r is defined as the minimum time that can elapse between a H → L transition of the control input and the next L → H clock pulse transition to ensure that the ÷ 21 mode is selected.

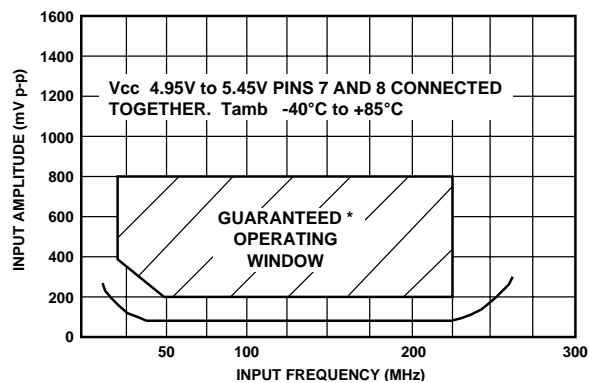


Figure 4 : Input sensitivity SP8789

*Tested as specified
in table of
Electrical Characteristics

OPERATING NOTES

1. The clock input (Pin 5) should be capacitively coupled to the signal source. The input signal path is completed by coupling a capacitor from the internal bias decoupling, Pin 6 to ground.
2. The output stage which is normally open collector (Pin 2 open circuit) can be interfaced to CMOS. The open collector can be returned to a +10V line via a 5k resistor but the output sink current should not exceed 2mA. If interfacing to TTL is required then Pins 2 and 7 should be connected together to give a fan-out = 1. This will increase supply current by approximately 2mA.
3. The circuit will operate down to DC but a slew rate of better than 20V/ μ s is required.
4. The mark space ratio of the output is approximately 1.2:1 at 200MHz.

5. Input impedance is a function of frequency. See Fig.5.
6. If no signal is present the device will self-oscillate. If this is undesirable it may be prevented by connecting a 150k between unused input and ground. This reduces the input sensitivity by typically 50-100mV p-p.
7. The internal regulator has its input connected to Pin 8, while the internal reference voltage appears at Pin 7 and should be decoupled. For use from a 5.2V supply, Pins 7 and 8 should be connected together, and 5.2V applied to these pins. For operation from supply voltages in the range +6.8V to +9.5V, Pins 7 and 8 should be separately decoupled, and the supply voltage applied to Pin 8.

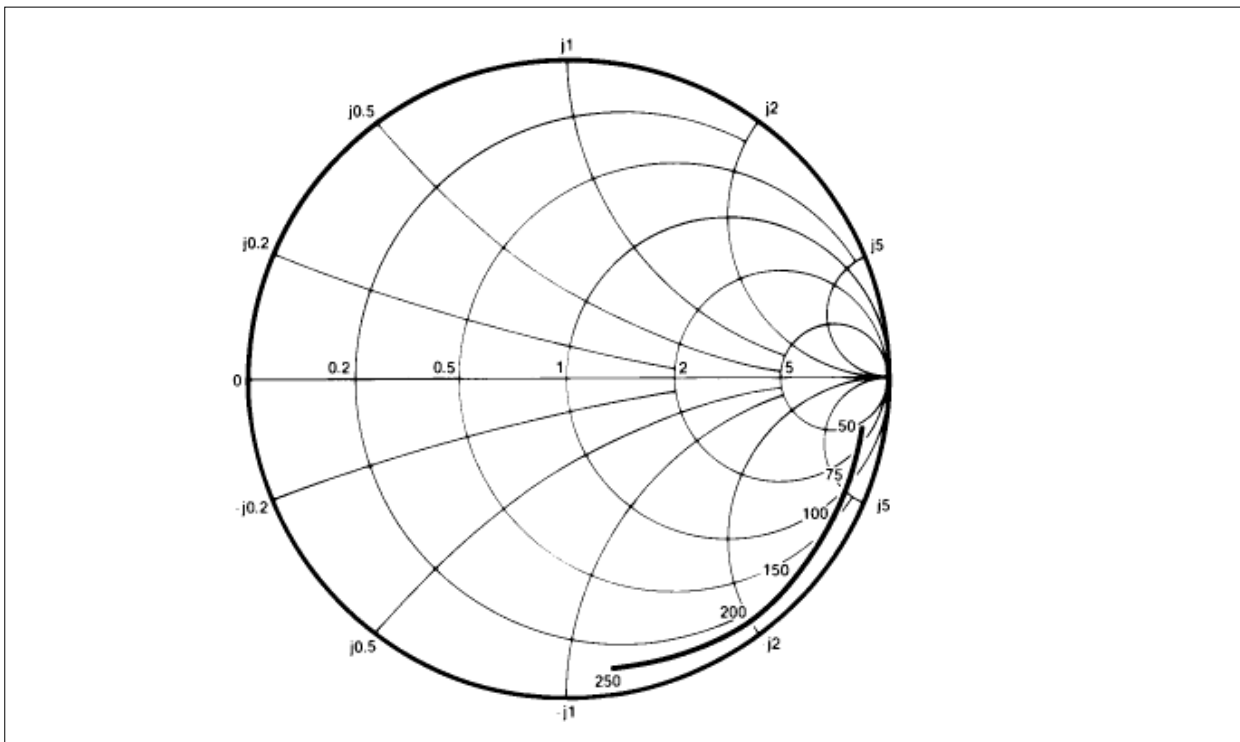


Figure 5 : Typical impedance. Test conditions: supply voltage 5.2V, ambient temperature 25°C, frequencies in MHz, impedance normalised to 50 ohms.

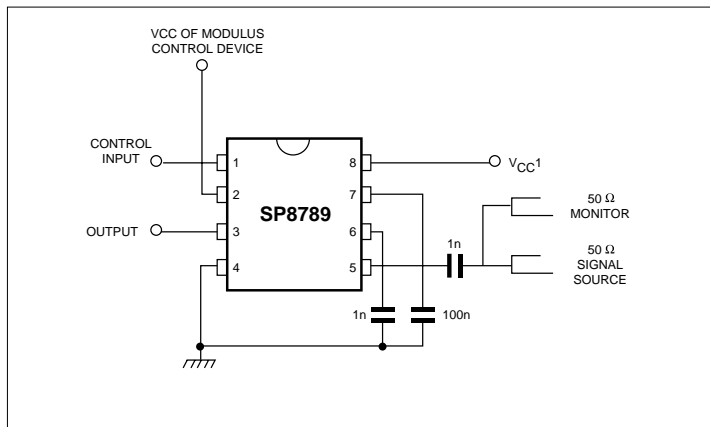


Figure 6 : Toggle frequency test circuit