

## DESCRIPTION

The PT5111 is a semiconductor integrated circuit that incorporates driver circuits suitable for the motors of digital cameras. The current consumption can be held at quite low level during standby or operation. And the active power supply voltage range is from 2.7~5.5V. So the device is ideal for portable and battery powered applications.

The PT5111 is available in QFN40 (5mm × 5mm) package. Performance is specified for -20°C to +85°C temperature range.

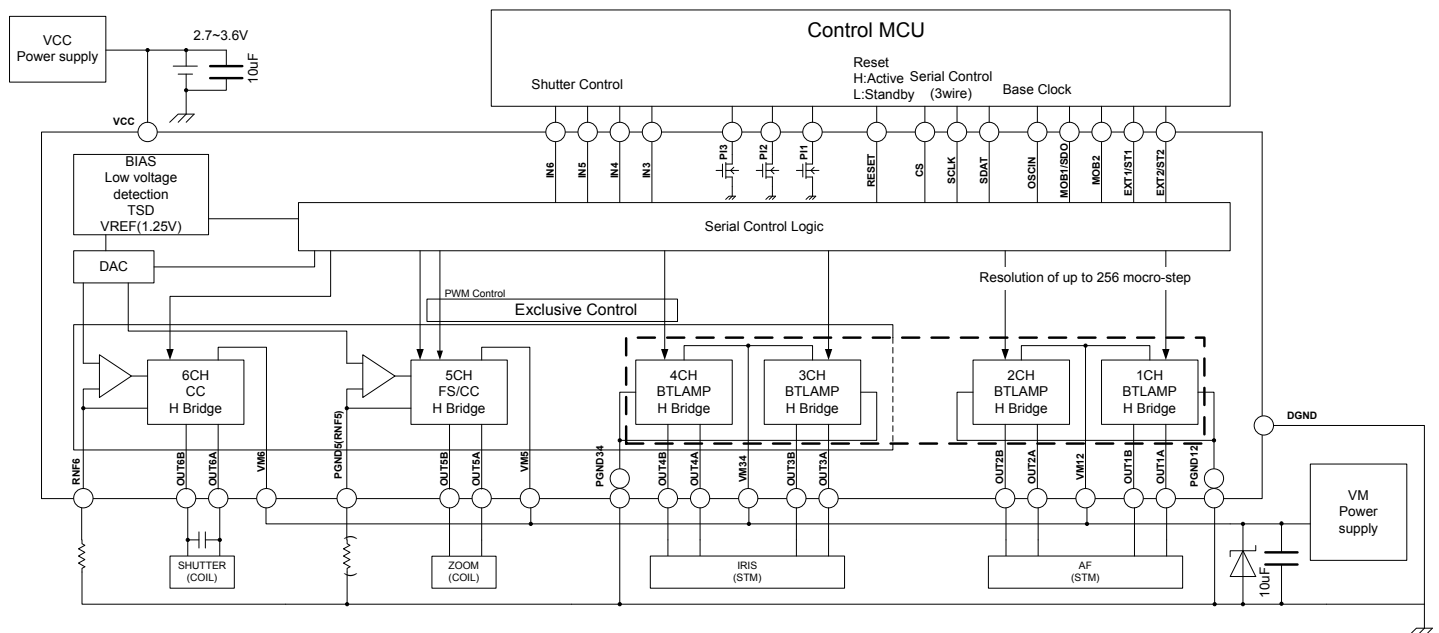
## APPLICATION

- DSC/DV

## FEATURES

- An ultra-fine CMOS process has been adopted for low power consumption in a design.
- A small 40-pin QFN package(5mm×5mm, lead pitch is 0.4 mm)has been adopted.
- 1ch/2ch and 3ch/4ch are capable of micro-steps mode. Possible modes are from 2-2 phase stepper drive to maximum 256 resolution micro-steps.
- Built-in autonomous drive circuit under the control of serial settings.
- Built-in 3-ch PI driver
- Under voltage lockout circuit  
- Shut down the internal circuit at VCC=1.8V (Typ.)
- Thermal shut down circuit  
- Shut down the internal circuit at 150°C Hysteresis 30°C
- Power supply systems are all internally isolated and include a function to prevent reverse current between power supplies.
- Built-in exclusive control mode from channel 3 to channel 6.(resemblance 7 channel motor drive application)

## BLOCK DIAGRAM



## 1.ORDER INFORMATION

Valid Part Number	Package Type	Top Code
PT5111-QF	40 Pins, QFN	PT5111

## 2.PIN CONFIGURATION

