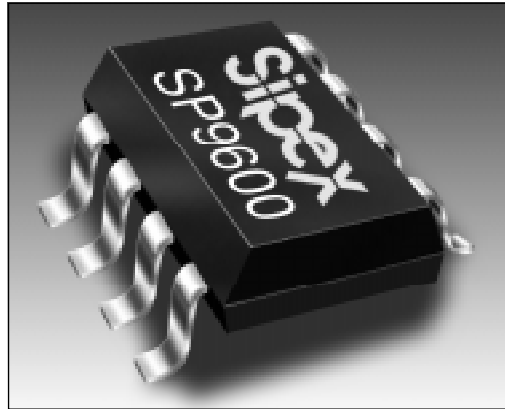




SP9600

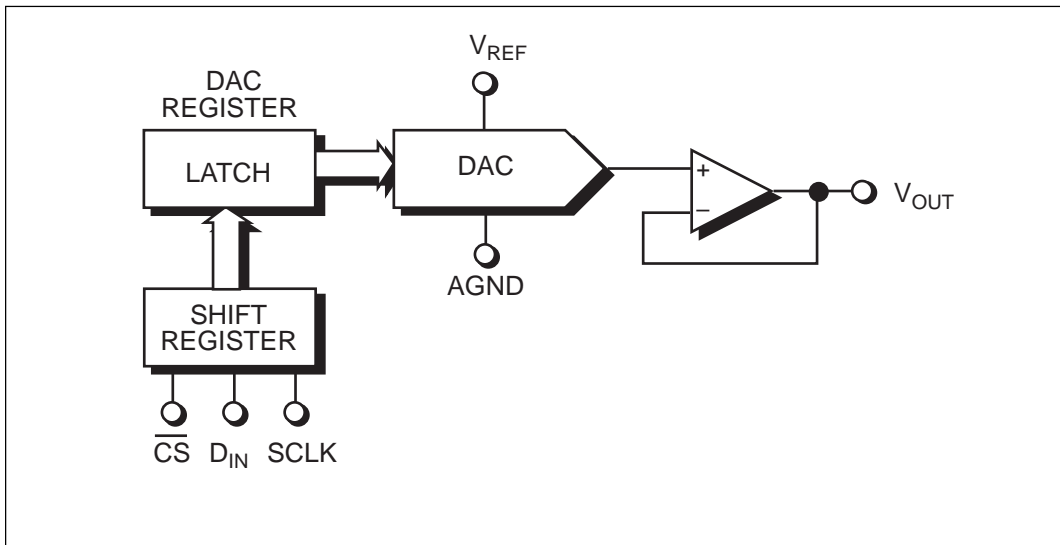
## 12–Bit, Low Power Voltage Output D/A Converter

- Low Power — 0.5mW
- Voltage Output, 0.5V to 4.5V Range
- Single +5 Volt Supply
- 700kHz Multiplying Bandwidth (2-Quadrant)
- Standard 3-Wire Serial Interface
- 8–pin (0.15") SOIC and Plastic DIP Packages



### DESCRIPTION...

The **SP9600** is a very low power 12-Bit Digital-to-Analog Converter. It features 0.5 to 4.5 volt output swing when using a single +5volt supply. The converter uses a standard 3–wire serial interface compatible with SPI™, QSPI™ and Microwire™. The output settling-time is specified at 20μs. The **SP9600** is available in 8–pin 0.15" SOIC and DIP packages, specified over commercial and industrial temperature ranges.



## ABSOLUTE MAXIMUM RATINGS

These are stress ratings only and functional operation of the device at these or any other above those indicated in the operation sections of the specifications below is not implied. Exposure to absolute maximum rating conditions for extended periods of time may affect reliability.

$V_{DD}$ - DGND	-0.3V,+6.0V
$V_{REF}$	DGND, $V_{DD}$
AGND	DGND, $V_{REF}$
$D_{IN}$	DGND, $V_{DD}$
Power Dissipation	
Plastic DIP	375mW
(derate 7mW/°C above +70°C)	
Small Outline	375mW
(derate 7mW/°C above +70°C)	



**CAUTION:**  
ESD (ElectroStatic Discharge) sensitive device. Permanent damage may occur on unconnected devices subject to high energy electrostatic fields. Unused devices must be stored in conductive foam or shunts. Personnel should be properly grounded prior to handling this device. The protective foam should be discharged to the destination socket before devices are removed.

## SPECIFICATIONS

(Typical at 25°C;  $T_{MIN} \leq T_A \leq T_{MAX}$ ;  $V_{DD} = +5V$ , DGND = 0V,  $V_{REF} = +3.5V$ ; AGND = +1.5V; CMOS logic level digital inputs; specifications apply to all grades unless otherwise noted.)

PARAMETER	MIN.	TYP.	MAX.	UNITS	CONDITIONS
<b>DIGITAL INPUTS</b>					
Logic Levels					
$V_{IH}$	2.4			Volts	
$V_{IL}$			0.8	Volts	
2 Quad, Input Coding		Binary			
<b>REFERENCE INPUTS</b>					
$V_{REF}$ Voltage Range	0.5		4.5	Volts	Note 5
AGND Voltage Range	0.5		4.5	Volts	
Input Resistance	11	13.9		k $\Omega$	$D_{IN} = 1365$ ; code dependent
<b>ANALOG OUTPUT</b>					
Gain					
-B, -K		$\pm 0.5$	$\pm 2.0$	LSB	Note 3
-A, -J		$\pm 1.0$	$\pm 4.0$	LSB	Note 3
		$\pm 1.0$	$\pm 5.0$	LSB	$V_{REF} = 4.5V$ ; AGND = 0.5V
Initial Offset Bipolar		$\pm 0.25$	$\pm 3.0$	LSB	$D_{IN} = 0$
Voltage Range	0.5		4.5	Volts	
Output Current	$\pm 1.0$			mA	
<b>STATIC PERFORMANCE</b>					
Resolution	12			Bits	
Integral Linearity					
-B, -K		$\pm 0.25$	$\pm 0.5$	LSB	Note 3
-A, -J		$\pm 0.5$	$\pm 1.0$	LSB	Note 3
		$\pm 0.5$		LSB	$V_{REF} = 4.5V$ ; AGND = 0.5V
Differential Linearity					
-B, -K		$\pm 0.25$	$\pm 0.75$	LSB	
-A, -J		$\pm 0.25$	$\pm 1.0$	LSB	
Monotonicity		Guaranteed			
<b>DYNAMIC PERFORMANCE</b>					
Settling Time					
Small Signal		2		$\mu s$	to 0.012%
Full Scale		20		$\mu s$	to 0.012%, $V_{OUT} = 0.5$ to 4.5V
Slew Rate		0.3		V/ $\mu s$	
Multiplying Bandwidth		700		KHz	
<b>STABILITY</b>					
Gain		15		ppm/°C	$t_{MIN}$ to $t_{MAX}$
Scale Zero		15		ppm/°C	$t_{MIN}$ to $t_{MAX}$

## SPECIFICATIONS (continued)

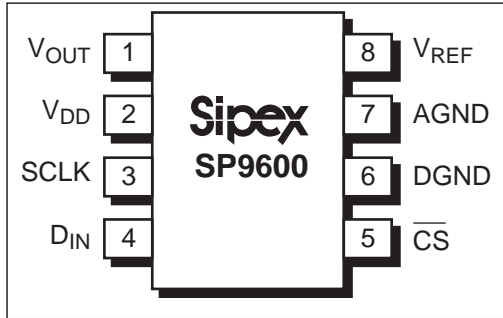
(Typical at 25°C;  $T_{MIN} \leq T_c \leq T_{MAX}$ ;  $V_{DD} = +5V$ ,  $DGND = 0V$ ,  $V_{REF} = +3.5V$ ;  $AGND = +1.5V$ ; CMOS logic level digital inputs; specifications apply to all grades unless otherwise noted.)

PARAMETER	MIN.	TYP.	MAX.	UNITS	CONDITIONS
<b>POWER REQUIREMENTS</b>					Note 5 +5V, ±3%; Note 4, 5
$V_{DD}$					
-J, -K		0.1	0.18	mA	
-A, -B		0.1	0.25	mA	
Power Dissipation		0.5		mW	
<b>SWITCHING CHARACTERISTICS</b>					
CS Setup Time ( $t_{CSS}$ )	25			ns	
SCLK Fall to $\overline{CS}$ Fall Hold Time ( $t_{CSH0}$ )	20			ns	
SCLK Fall to $\overline{CS}$ Rise Hold Time ( $t_{CSH1}$ )	0			ns	
SCLK High Width ( $t_{CH}$ )	40			ns	
SCLK Low Width ( $t_{CL}$ )	40			ns	
DIN Setup Time ( $t_{DS}$ )	50			ns	
DIN Hold Time ( $t_{DH}$ )	0			ns	
CS High Pulse Width ( $t_{CSW}$ )	30			ns	
<b>ENVIRONMENTAL AND MECHANICAL</b>					
Operating Temperature					
-J, -K	0		+70	°C	
-A, -B	-40		+85	°C	
Storage Temperature	-60		+150	°C	
Package					
-_N	8-pin Plastic DIP				
-_S	8-pin 0.15" SOIC				

### Notes:

- Integral Linearity, for the **SP9600**, is measured as the arithmetic mean value of the magnitudes of the greatest positive deviation and the greatest negative deviation from the theoretical value for any given input condition.
- Differential Linearity is the deviation of an output step from the theoretical value of 1 LSB for any two adjacent digital input codes.
- 1 LSB =  $(V_{REF} - AGND)/4,096$ .
- $V_{REF}$ ,  $AGND = 2.5V$ .
- The following power up sequence is recommended:  $V_{DD}$  (+5V),  $V_{REF}$

## PINOUT – 8-PIN PLASTIC DIP & SOIC



## PIN ASSIGNMENTS

- Pin 1-  $V_{OUT}$  - Voltage Output.
- Pin 2-  $V_{DD}$  - +5V Power Supply Input.
- Pin 3- SCLK - Serial Clock Input.
- Pin 4-  $D_{IN}$  - Serial Data Input.
- Pin 5-  $\overline{CS}$  - Chip Select Input.
- Pin 6 - DGND - Digital Ground
- Pin 7- AGND - Analog Ground.
- Pin 8-  $V_{REF}$  - Reference Input.

## FEATURES...

The **SP9600** is a low power 12–Bit Digital-to-Analog Converter. The converter features 0.5 to 4.5 volt output swings with a single +5V supply. The input coding format used is standard binary, *Table 1*.

This Digital-to Analog Converter uses a standard 3–wire interface compatible with SPI™, QSPI™ and Microwire™. The output settling time is specified at 20  $\mu$ s to full 12-bit accuracy when driving a 10k $\Omega$ , 10pF load combination.

The **SP9600** Digital-to-Analog Converter is ideally suited for applications such as ATE, process controllers, robotics and instrumentation. The **SP9600** is available in an 8-pin 0.15" SOIC and 0.3" PDIP packages, specified over commercial and industrial temperature ranges.

## THEORY OF OPERATION

The **SP9600** consists of four main functional blocks – the input shift register, DAC register, 12–Bit D/A converter and a output buffer amplifier, *Figure 1*.

The input shift register is used to convert the serial input data stream to a parallel 12–Bit digital word. The input data is shifted on positive clock (SCLK) edges when the Chip Select ( $\overline{CS}$ ) signal is in the “low” state. The MSB is loaded first and LSB last. No shifting of the input data occurs when the Chip Select ( $\overline{CS}$ ) signal is in the “high” state.

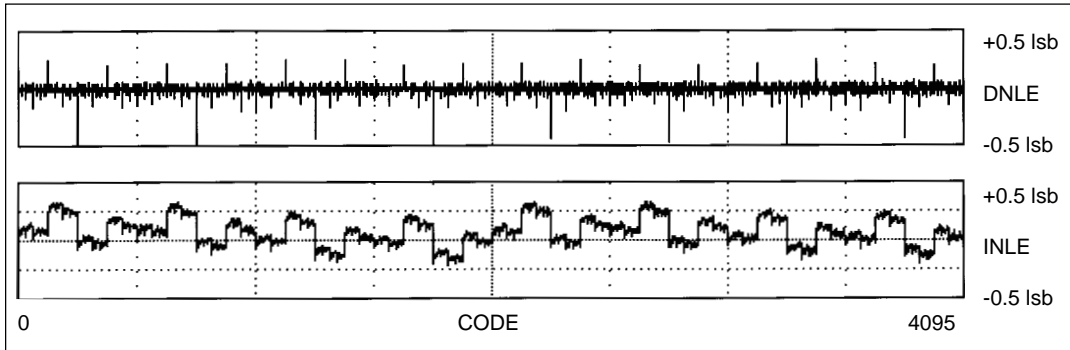
The DAC register is used to store the digital word which is sent to the R–2R DAC. Its value is updated on the positive transition of the Chip Select ( $\overline{CS}$ ) signal.

The 12–Bit D/A converter is an “inverted” R–2R ladder network. The DAC itself is implemented with precision thin-film resistors and CMOS transmission gate switches. The resistor network is laser-trimmed to achieve better than 12–Bit accuracy. The D/A converter is used to convert the 12-bit input word to a precision voltage.

The operational amplifier is a rail-to-rail input, rail-to-rail output CMOS amplifier. It is capable of supplying 1mA of load current in the 1.5 to 3.5 output voltage range. The initial offset voltage is laser-trimmed to improve accuracy. Settling time is 20  $\mu$ s for a full scale output transition to 0.012% accuracy.

INPUT			OUTPUT
MSB	LSB		
1111	1111	1111	$V_{REF} - 1 \text{ LSB}$
1111	1111	1110	$V_{REF} - 2 \text{ LSB}$
0000	0000	0001	$\text{AGND} + 1 \text{ LSB}$
0000	0000	0000	AGND
$1 \text{ LSB} = \frac{(V_{REF} - \text{AGND})}{2^{12}}$			

*Table 1. Binary Coding*



DNLE, INLE Plots

### USING THE SP9600

#### External Reference

The R-2R DAC input resistance is code dependent and is minimum (11kΩ) at code 1365 and 2731. And, it is nearly infinite at code 0. Because of the code-dependent nature of the reference inputs, a high quality, low output impedance amplifier should be used to drive the  $V_{REF}$  and AGND inputs.

#### Serial Clock and Update Rate

The SP9600 maximum serial clock rate (SCLK) is given by  $1/(t_{CH} + t_{CL})$  which is approximately 12.5 MHz. The digital word update rate is limited by the chip select period, which is 12 X SCLK

periods plus the  $\overline{CS}$  high pulse width  $t_{CSW}$ . This is equal to a 1 μs or 1 MHz update rate. However, the DAC settling time to 12-Bits is 20 μs, which for full scale output transitions would limit the update rate to 50 kHz.

#### Logic Interface

The SP9600 is designed to be compatible with TTL and CMOS logic levels. However, driving the digital inputs with TTL level signals will increase the power consumption of the part by 300 μA. In order to achieve the lowest power consumption use rail-to-rail CMOS levels to drive the digital inputs.

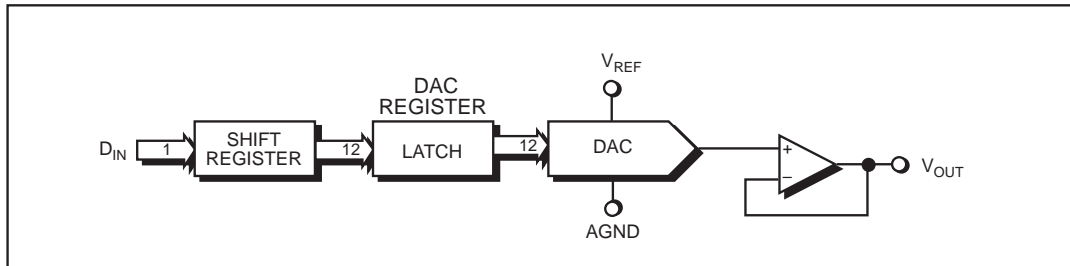


Figure 1. Detailed Block Diagram

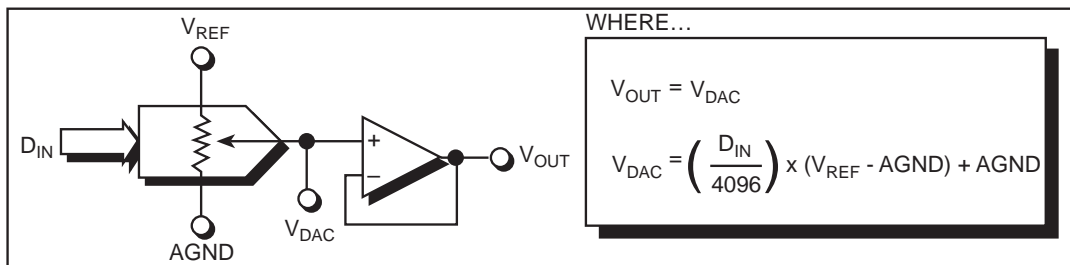


Figure 2. Transfer Function

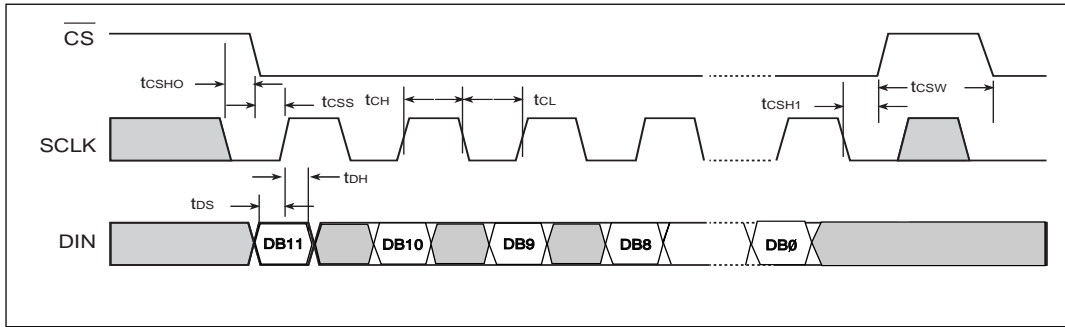


Figure 3. Timing Diagram

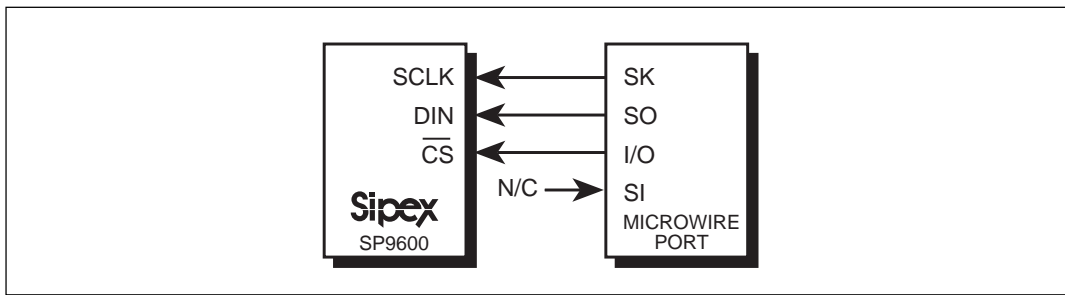


Figure 4. Microwire Connection

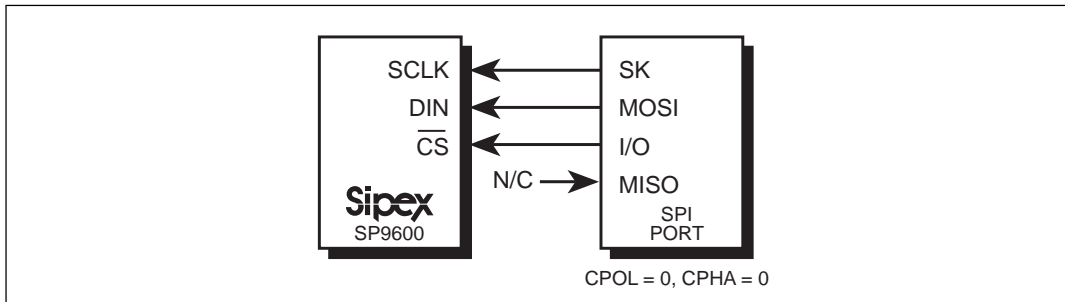
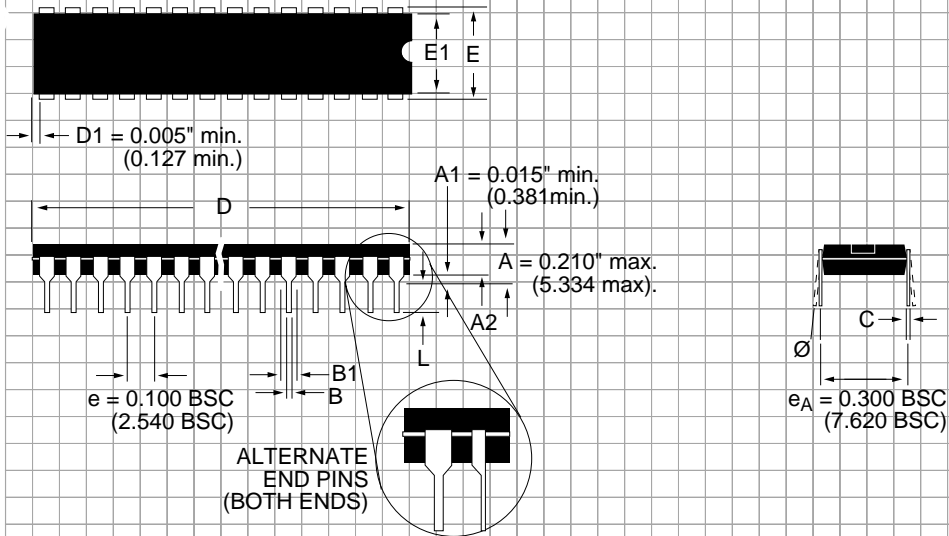


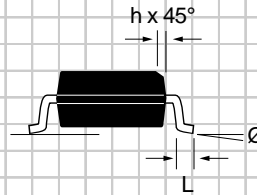
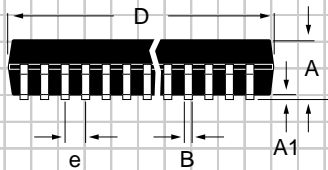
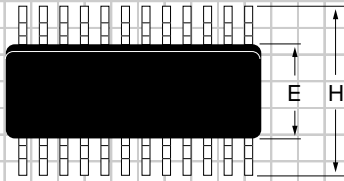
Figure 5. SPI Connection

## PACKAGE: PLASTIC DUAL-IN-LINE (NARROW)



DIMENSIONS (Inches) Minimum/Maximum (mm)	8-PIN	14-PIN	16-PIN	18-PIN	20-PIN	22-PIN
A2	0.115/0.195 (2.921/4.953)	0.115/0.195 (2.921/4.953)	0.115/0.195 (2.921/4.953)	0.115/0.195 (2.921/4.953)	0.115/0.195 (2.921/4.953)	0.115/0.195 (2.921/4.953)
B	0.014/0.022 (0.356/0.559)	0.014/0.022 (0.356/0.559)	0.014/0.022 (0.356/0.559)	0.014/0.022 (0.356/0.559)	0.014/0.022 (0.356/0.559)	0.014/0.022 (0.356/0.559)
B1	0.045/0.070 (1.143/1.778)	0.045/0.070 (1.143/1.778)	0.045/0.070 (1.143/1.778)	0.045/0.070 (1.143/1.778)	0.045/0.070 (1.143/1.778)	0.045/0.070 (1.143/1.778)
C	0.008/0.014 (0.203/0.356)	0.008/0.014 (0.203/0.356)	0.008/0.014 (0.203/0.356)	0.008/0.014 (0.203/0.356)	0.008/0.014 (0.203/0.356)	0.008/0.014 (0.203/0.356)
D	0.355/0.400 (9.017/10.160)	0.735/0.775 (18.669/19.685)	0.780/0.800 (19.812/20.320)	0.880/0.920 (22.352/23.368)	0.980/1.060 (24.892/26.924)	1.145/1.155 (29.083/29.337)
E	0.300/0.325 (7.620/8.255)	0.300/0.325 (7.620/8.255)	0.300/0.325 (7.620/8.255)	0.300/0.325 (7.620/8.255)	0.300/0.325 (7.620/8.255)	0.300/0.325 (7.620/8.255)
E1	0.240/0.280 (6.096/7.112)	0.240/0.280 (6.096/7.112)	0.240/0.280 (6.096/7.112)	0.240/0.280 (6.096/7.112)	0.240/0.280 (6.096/7.112)	0.240/0.280 (6.096/7.112)
L	0.115/0.150 (2.921/3.810)	0.115/0.150 (2.921/3.810)	0.115/0.150 (2.921/3.810)	0.115/0.150 (2.921/3.810)	0.115/0.150 (2.921/3.810)	0.115/0.150 (2.921/3.810)
$\emptyset$	0°/15° (0°/15°)	0°/15° (0°/15°)	0°/15° (0°/15°)	0°/15° (0°/15°)	0°/15° (0°/15°)	0°/15° (0°/15°)

**PACKAGE: PLASTIC  
SMALL OUTLINE (SOIC)  
(NARROW)**



DIMENSIONS (Inches) Minimum/Maximum (mm)	8-PIN	14-PIN	16-PIN			
A	0.053/0.069 (1.346/1.748)	0.053/0.069 (1.346/1.748)	0.053/0.069 (1.346/1.748)			
A1	0.004/0.010 (0.102/0.249)	0.004/0.010 (0.102/0.249)	0.004/0.010 (0.102/0.249)			
B	0.014/0.019 (0.35/0.49)	0.013/0.020 (0.330/0.508)	0.013/0.020 (0.330/0.508)			
D	0.189/0.197 (4.80/5.00)	0.337/0.344 (8.552/8.748)	0.386/0.394 (9.802/10.000)			
E	0.150/0.157 (3.802/3.988)	0.150/0.157 (3.802/3.988)	0.150/0.157 (3.802/3.988)			
e	0.050 BSC (1.270 BSC)	0.050 BSC (1.270 BSC)	0.050 BSC (1.270 BSC)			
H	0.228/0.244 (5.801/6.198)	0.228/0.244 (5.801/6.198)	0.228/0.244 (5.801/6.198)			
h	0.010/0.020 (0.254/0.498)	0.010/0.020 (0.254/0.498)	0.010/0.020 (0.254/0.498)			
L	0.016/0.050 (0.406/1.270)	0.016/0.050 (0.406/1.270)	0.016/0.050 (0.406/1.270)			
Ø	0°/8° (0°/8°)	0°/8° (0°/8°)	0°/8° (0°/8°)			



## ORDERING INFORMATION

Model .....	Temperature Range .....	Package
Monolithic 12-Bit DAC Voltage Output:		
SP9600JN .....	0°C to +70°C .....	8-pin, 0.3" Plastic DIP
SP9600KN .....	0°C to +70°C .....	8-pin, 0.3" Plastic DIP
SP9600JS .....	0°C to +70°C .....	8-pin, 0.15" SOIC
SP9600KS .....	0°C to +70°C .....	8-pin, 0.15" SOIC
SP9600AN .....	-40°C to +85°C .....	8-pin, 0.3" Plastic DIP
SP9600BN .....	-40°C to +85°C .....	8-pin, 0.3" Plastic DIP
SP9600AS .....	-40°C to +85°C .....	8-pin, 0.15" SOIC
SP9600BS .....	-40°C to +85°C .....	8-pin, 0.15" SOIC



SIGNAL PROCESSING EXCELLENCE

### Sipex Corporation

#### Headquarters and

#### Sales Office

22 Linnell Circle  
Billerica, MA 01821  
TEL: (978) 667-8700  
FAX: (978) 670-9001  
e-mail: sales@sipex.com

#### Sales Office

233 South Hillview Drive  
Milpitas, CA 95035  
TEL: (408) 934-7500  
FAX: (408) 935-7600

Sipex Corporation reserves the right to make changes to any products described herein. Sipex does not assume any liability arising out of the application or use of any product or circuit described hereing; neither does it convey any license under its patent rights nor the rights of others.