



Low Cost Five-Way GMIC SMT Power Divider 1850-1990 MHz

Features

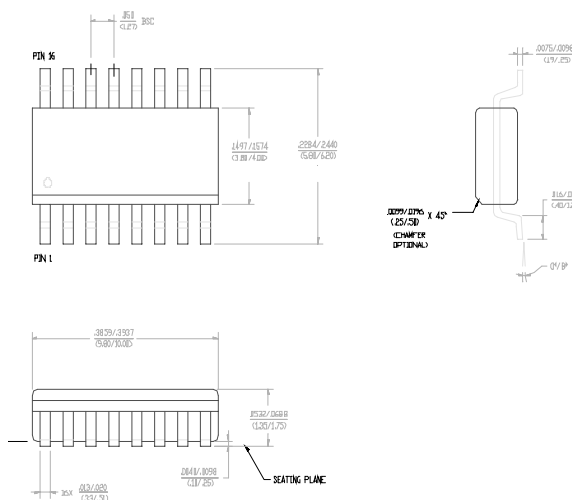
- Small Size, Low Profile
- Superior Repeatability (Lot-to-Lot Variation)
- Industry Standard SOIC-16 SMT Plastic Package
- Typical Isolation: 28 dB
- Typical Insertion Loss: 0.7 dB
- Low Cost
- 1 Watt Power Handling

Description

M/A-COM's DS55-0003 is an IC-based monolithic power divider using M/A-COM's GMIC technology in a low cost SOIC-16 plastic package. This 5-way power divider is ideally suited for applications where PCB real estate is at a premium and part count reduction and cost are critical. Typical applications include base station switching networks and other cellular equipment, including subscriber units. Available in tape and reel.

The DS55-0003 is fabricated using a passive-integrated circuit process. The process features full-chip passivation for increased performance and reliability.

SOIC-16



Ordering Information

| Part Number | Package |
|---------------|------------------------------------|
| DS55-0003 | SOIC-16 Lead Plastic Package |
| DS55-0003-TR | Forward Tape and Reel ¹ |
| DS55-0003-RTR | Reverse Tape and Reel ¹ |

1. If specific reel size is required, consult factory for part number assignment.

Typical Electrical Specifications¹, T_A = +25°C

| Parameter | Units | Min | Typ | Max |
|----------------------------|-------|-----|-------|-------|
| Insertion Loss Above 6.0dB | dB | — | 0.7 | 1.2 |
| Isolation | dB | 21 | 28 | — |
| VSWR Input | — | — | 1.5:1 | 1.6:1 |
| VSWR Output | — | — | 1.2:1 | 1.5:1 |
| Amplitude Balance | dB | — | 0.2 | 0.5 |
| Phase Balance | ° | — | 6 | 12 |

1. All specifications apply with a 50-Ohm source and load impedance.

Specifications subject to change without notice.

■ **North America:** Tel. (800) 366-2266, Fax (800) 618-8883
 ■ **Asia/Pacific:** Tel.+81-44-844-8296, Fax +81-44-844-8298
 ■ **Europe:** Tel. +44 (1344) 869 595, Fax+44 (1344) 300 020

Visit www.macom.com for additional data sheets and product information.

tyco Electronics

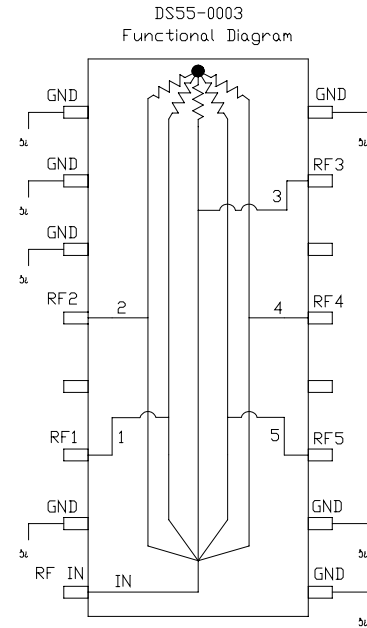
M/A-COM

Absolute Maximum Ratings¹

| Parameter | Absolute Maximum |
|--------------------------|------------------|
| Input Power ² | 1 W CW |
| Operating Temperature | -40°C to +85°C |
| Storage Temperature | -65°C to +150°C |

1. Exceeding these limits may cause permanent damage.
2. With Internal load dissipation of 0.125 W maximum.

Functional Diagram



Pins labeled as ground should be DC and RF grounded

Specifications subject to change without notice.

- North America: Tel. (800) 366-2266, Fax (800) 618-8883
- Asia/Pacific: Tel.+81-44-844-8296, Fax +81-44-844-8298
- Europe: Tel. +44 (1344) 869 595, Fax+44 (1344) 300 020

Visit www.macom.com for additional data sheets and product information.