



TAI-SAW TECHNOLOGY CO., LTD.

No. 3, Industrial 2nd Rd., Ping-Chen Industrial District,
Taoyuan, 324, Taiwan, R.O.C.

TEL: 886-3-4690038 FAX: 886-3-4697532

E-mail: tstsales@mail.taisaw.com Web: www.taisaw.com

Product Specifications Approval Sheet

Product Description: SAW Filter 782 MHz SMD 3.8x3.8 mm

TST Part No.: TA1152A

Customer Part No.: _____

Customer signature required
Company: _____
Division: _____
Approved by : _____
Date: _____

Checked by: _____ David Chang 張明智

Approved by: _____ Francis Chen 陳

Date: _____ 2010/01/14

1. Customer signed back is required before TST can proceed with sample build and receive orders.
2. Orders received without customer signed back will be regarded as agreement on the specifications.
3. Any specifications changes must be approved upon by both parties and a new revision of specifications shall be released to reflect the changes.



TAI-SAW TECHNOLOGY CO., LTD.

No. 3, Industrial 2nd Rd., Ping-Chen Industrial District,
Taoyuan, 324, Taiwan, R.O.C.

TEL: 886-3-4690038 FAX: 886-3-4697532

E-mail: tstsales@mail.taisaw.com Web: www.taisaw.com

SAW Filter 782 MHz

MODEL NO.: TA1152A

REV. NO.:1

A. MAXIMUM RATING:

1. Input Power Level: 25 dBm
2. DC Voltage : 3 V
3. Operating Temperature: -20°C to +70°C
4. Storage Temperature: -40°C to +85°C

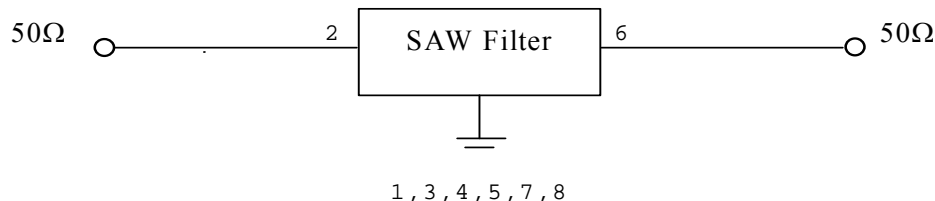
RoHS Compliant
Lead free
Lead-free soldering

B. ELECTRICAL CHARACTERISTICS:

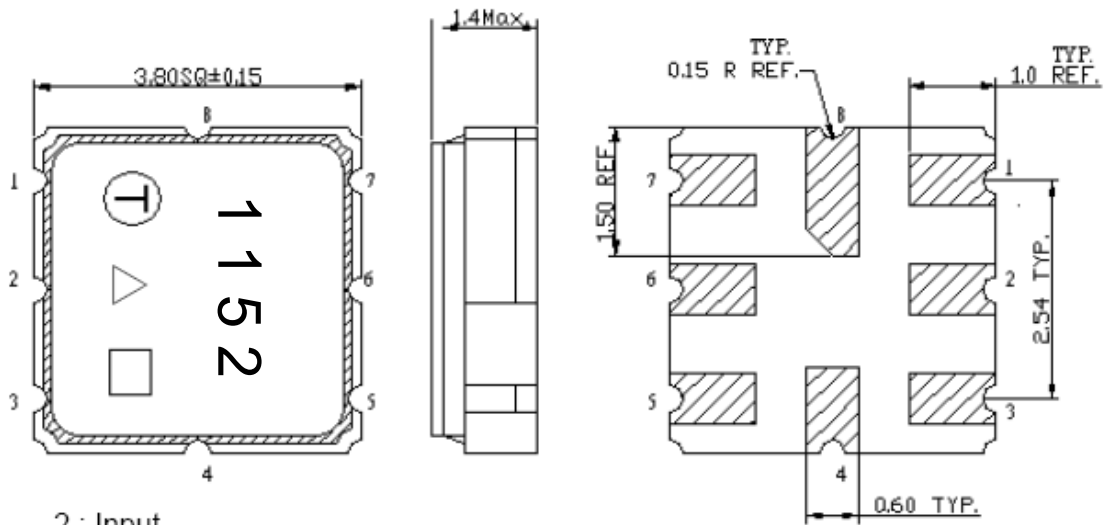
Item	Unit	Min.	Type.	Max.
Center frequency Fc	MHz	-	782	-
Insertion Loss (777~787 MHz) IL	dB	-	1.4	2.5
Amplitude Ripple (777~787 MHz)	dB	-	0.5	1.5
Return Loss (777~787 MHz)	dB	10	12	-
Attenuation (Reference level from 0 dB)				
0 ~ 700 MHz	dB	30	41	-
746 ~ 756 MHz	dB	40	47	-
840 ~ 890 MHz	dB	35	44	-
1000 ~ 2000 MHz	dB	25	34	-
Temperature coefficient of Frequency	Ppm/°C	-	-36	-

C. MEASUREMENT CIRCUIT:

HP Network analyzer



D.OUTLINE DRAWING:

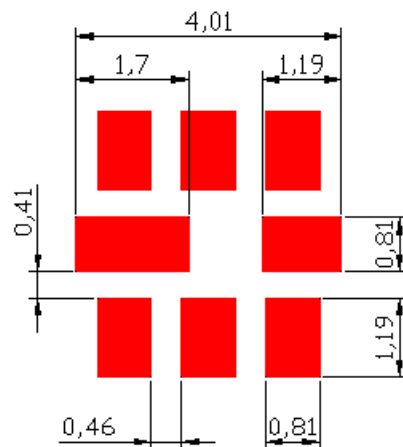


- 2 : Input
- 6: Output
- 1,3,4,5,7,8: Ground
- △ : Year Code
- : Date Code (W01->A, W02->B,...,W52->z)

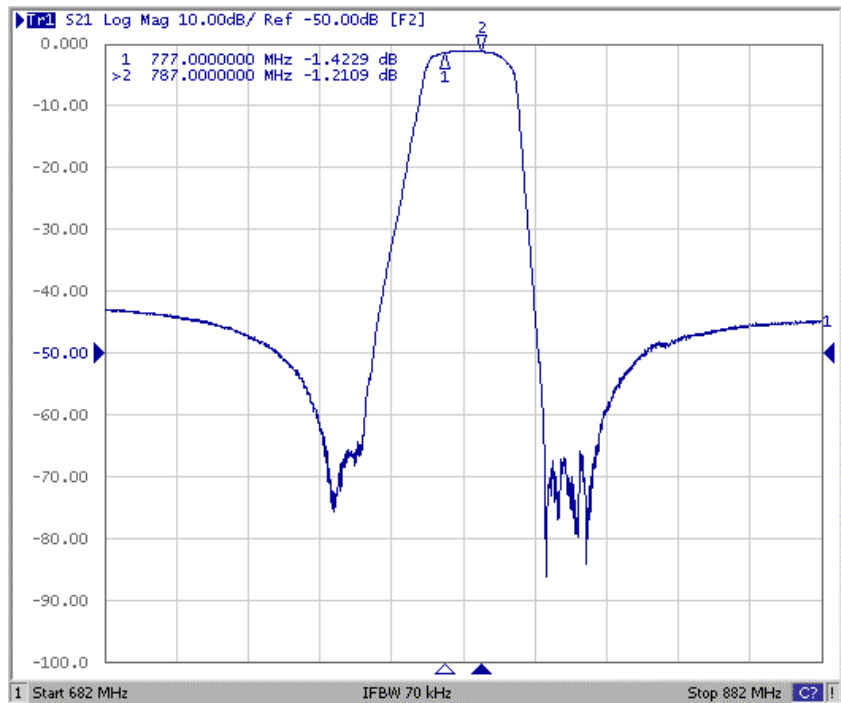
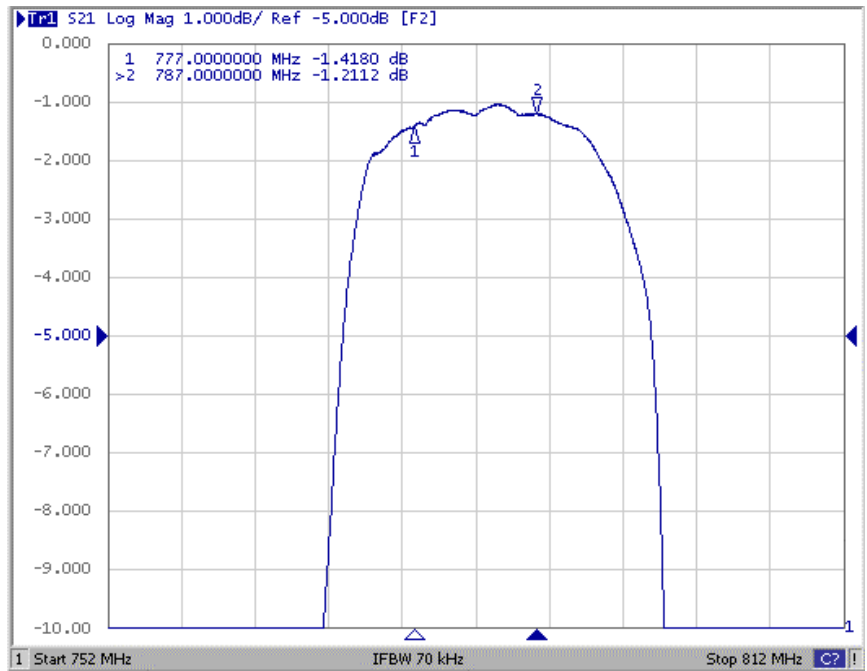
△ Product Year Code

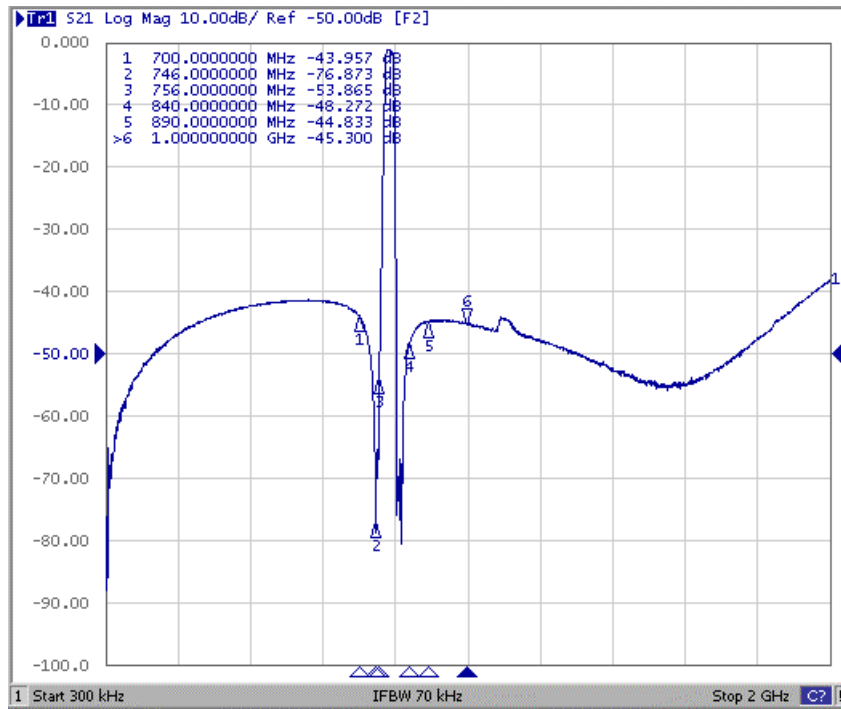
Year	2009	2010
	2011	2012
	2013	2014
	2015	2016
	Product Code	A

E. PCB Footprint:



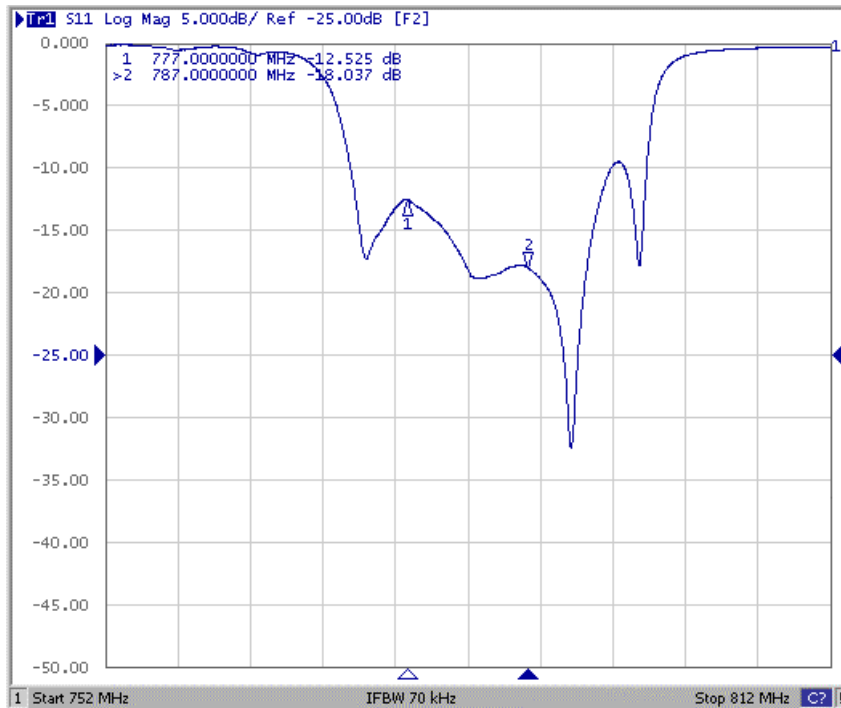
F. Frequency Characteristics :



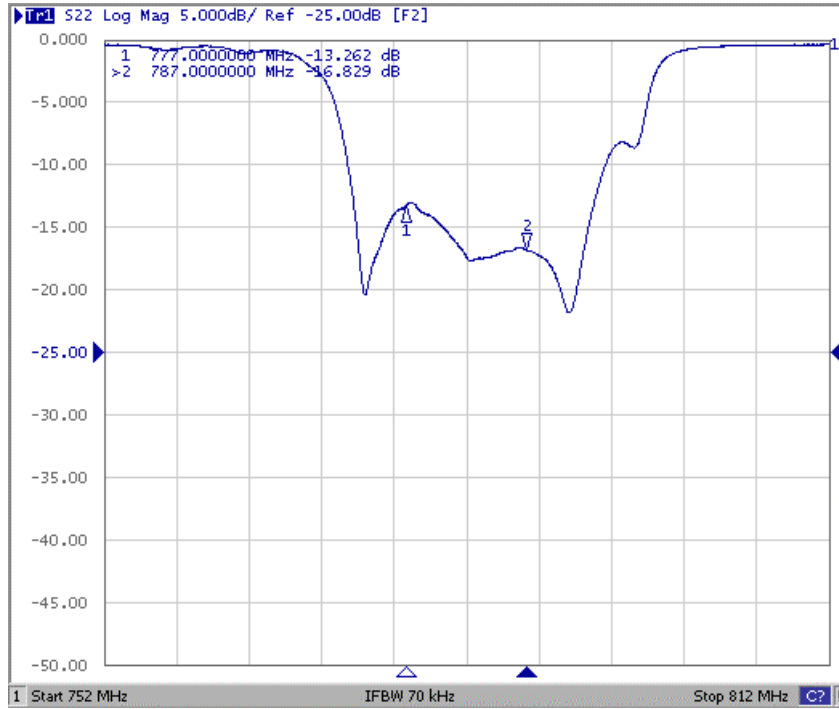


Reflection Functions :

S11

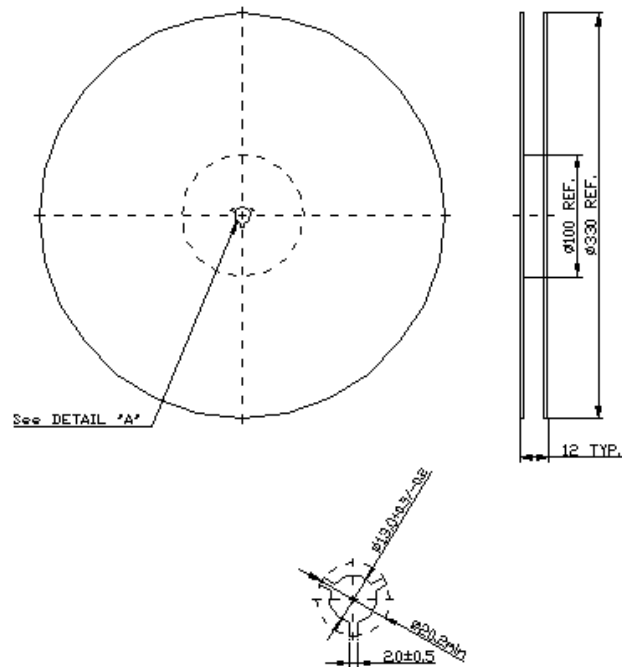


S22

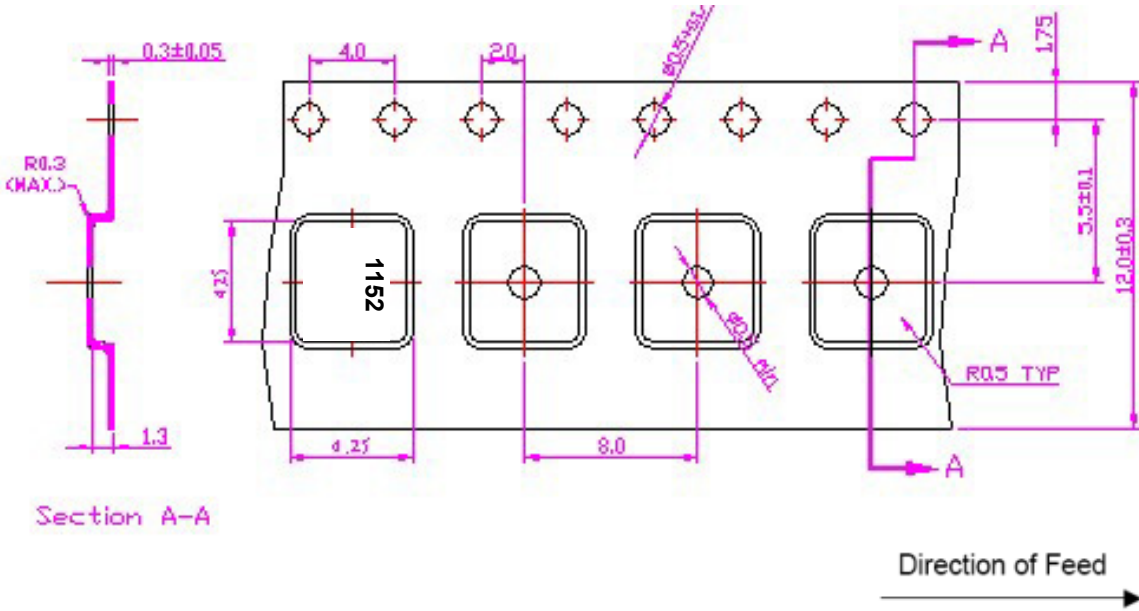


G. PACKING:

1. REEL DIMENSION



2. TAPE DIMENSION



H. RECOMMENDED REFLOW PROFILE :

