

TITLE:
T1 LINE INTERFACE XFMR

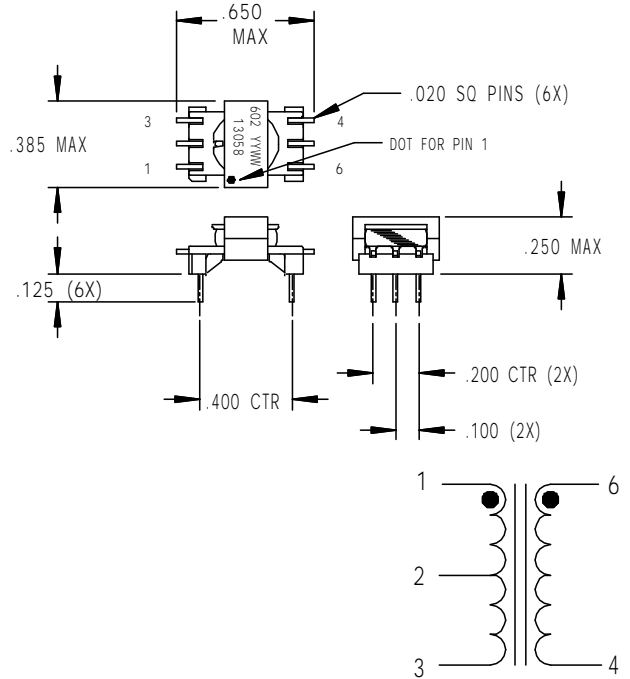


1000 PARKERS LAKE ROAD
WAYZATA, MN 55391
(952) 475-1173

PART NUMBER
24059
REV D PAGE 1 END

SPECIFICATIONS:

1. TEMP. CLASS: 105 ° C
2. INDUCTANCE: @ 10 KHz, 0.1 V
(1-3) = 700 μHy MIN.
3. LEAKAGE INDUCTANCE:
@ 100 KHz, (6-4) SHORTED
(1-3) = 0.3 μHy MAX.
4. INTERWINDING CAPACITANCE: @ 100 kHz
(1-3) TO (6-4) = 80 pf MAX.
5. TURNS RATIO: (1-3):(6-4) = 1 CT:1 ± 2 %
6. DCR: (1-3) = 0.5 • MAX
(6-4) = 0.5 • MAX
7. HI-POT: 1500 Vac



SCHOTT CORPORATION 1000 PARKERS LAKE ROAD MINNEAPOLIS, MN 55391 FORM 116	CAGE CODE 80023	SIZE A	CUST. NAME ABLE TELECOMMUNICATIONS			CUST. PART NO. 600310-00-3058	CUST. REV REF
	EIA CODE 602	TOLERANCES UNLESS OTHERWISE NOTED:	2 PLACE .01	3 PLACE +.005	ANGLE + 1 °	SHEET 1 of 2	DWG. NO. D67130580\24059

REV D