

TITLE: XFMR TRANSMIT, T1



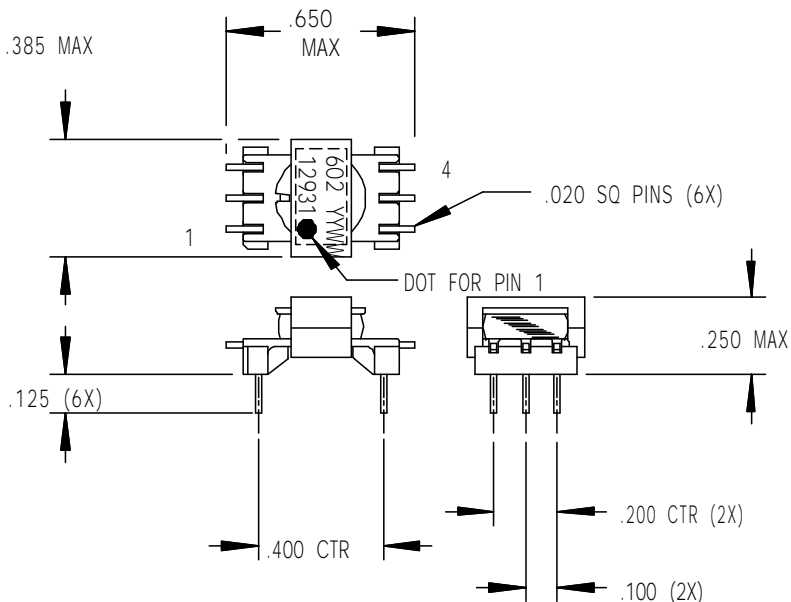
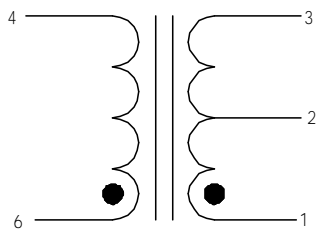
1000 PARKERS LAKE ROAD
WAYZATA, MN 55391
(952) 475-1173

PARTNUMBER 22627
REV E PAGE 1 END

SPECIFICATIONS:

1. TEMPERATURE CLASS: 105° C
2. INDUCTANCE:
(6 - 4) @ 300 KHz, 0.1 V > 1.5 MHy
3. LEAKAGE INDUCTANCE:
(6 - 4) @ 300 KHz, (1 - 3) SHORTED < 0.7 μ Hy
4. INTERWINDING CAPACITANCE:
(1 - 3) TO (4 - 6) @ 300 KHz < 60 pf
5. TURNS RATIO:
(4 - 6) : (1 - 3) = 1 : 1.17 CT ± 2 %
6. DC RESISTANCE:
(1 - 3) = 0.7 • NOM.
(4 - 6) = 0.5 • NOM.
7. HIPOT: 1500 VAC

THIS TRANSFORMER IS DESIGNED TO OPERATE WITH CRYSTAL CS61574/35A IN T1 TRANSMIT APPLICATIONS WITH 100 •



SCHOTT
CORPORATION

1000 PARKERS LAKE ROAD
MINNEAPOLIS, MN 55391

CAGE CODE 80023	SIZE A	CUST. NAME SCHOTT CATALOG	CUST. PART NO.	CUST. REV.
EIA CODE 602	FORM 116	TOLERANCES UNLESS OTHERWISE NOTED:	2 PLACE .01	3 PLACE ± .005
		ANGLE ± °	SHEET 1 of 2	DWG NO. D67129310\22627
				REV E