

# DATA SHEET

## **T152/104/19** Ferrite toroids

Supersedes data of September 2004

2008 Sep 01

## Ferrite toroids

T152/104/19

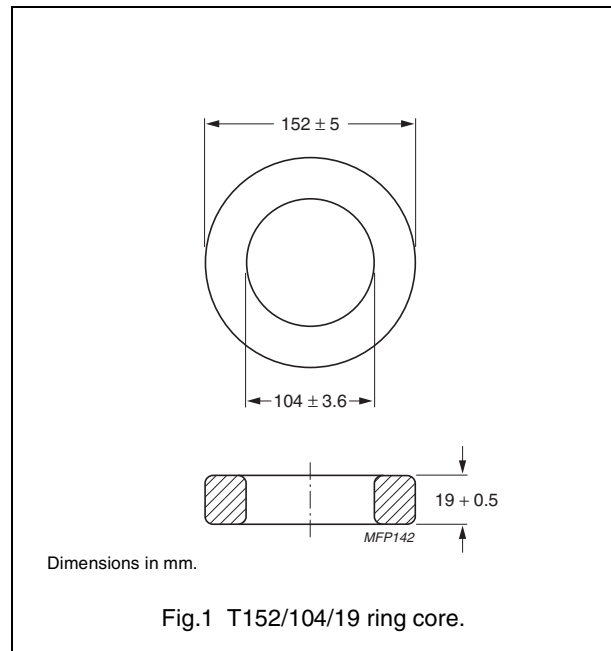
## RING CORES (TOROIDS)

## Effective core parameters

SYMBOL	PARAMETER	VALUE	UNIT
$\Sigma(l/A)$	core factor (C1)	0.873	mm <sup>-1</sup>
$V_e$	effective volume	176600	mm <sup>3</sup>
$l_e$	effective length	393	mm
$A_e$	effective area	450	mm <sup>2</sup>
$m$	mass of core	≈ 878	g

## Coating

Coated cores are available on request.



## Ring core data

GRADE	$A_L$ (nH)	$\mu_i$	TYPE NUMBER
3C11	6000 ± 25 %	≈ 4300	T152/104/19-3C11
3E27	8500 ± 25 %	≈ 6000	T152/104/19-3E27




**DATA SHEET STATUS DEFINITIONS**

DATA SHEET STATUS	PRODUCT STATUS	DEFINITIONS
Preliminary specification	Development	This data sheet contains preliminary data. Ferroxcube reserves the right to make changes at any time without notice in order to improve design and supply the best possible product.
Product specification	Production	This data sheet contains final specifications. Ferroxcube reserves the right to make changes at any time without notice in order to improve design and supply the best possible product.

**DISCLAIMER**

**Life support applications** — These products are not designed for use in life support appliances, devices, or systems where malfunction of these products can reasonably be expected to result in personal injury. Ferroxcube customers using or selling these products for use in such applications do so at their own risk and agree to fully indemnify Ferroxcube for any damages resulting from such application.

**PRODUCT STATUS DEFINITIONS**

STATUS	INDICATION	DEFINITION
<b>Prototype</b>		These are products that have been made as development samples for the purposes of technical evaluation only. The data for these types is provisional and is subject to change.
<b>Design-in</b>		These products are recommended for new designs.
<b>Preferred</b>		These products are recommended for use in current designs and are available via our sales channels.
<b>Support</b>		These products are <b>not</b> recommended for new designs and may not be available through all of our sales channels. Customers are advised to check for availability.