

# MAS9278

## IC for 10.00 – 30.00 MHz VCXO

- Low Power
- Wide Supply Voltage Range
- True Sine Wave Output
- Very High Level of Integration
- Integrated Varactor
- Electrically Trimmable
- Very Low Phase Noise
- Low Cost

### DESCRIPTION

The MAS9278 is an integrated circuit well suited to build VCXO for mobile communication. The crystal offset trimming is done through a serial bus and the calibration information is stored in an internal PROM.

To build a VCXO only one additional component, a crystal, is needed.

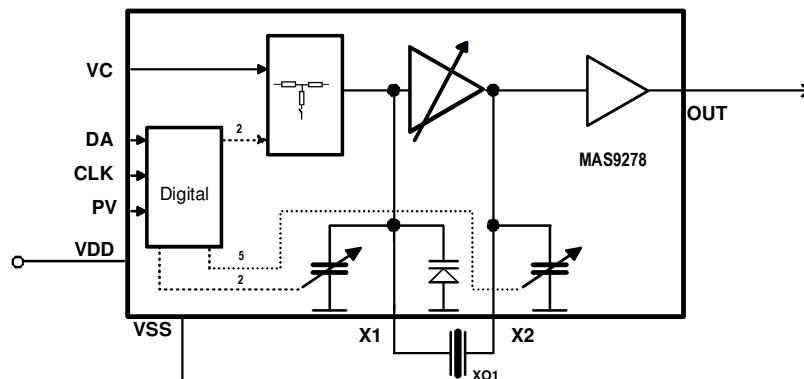
### FEATURES

- Very small size
- Minor current draw
- Wide operating temperature range
- Phase noise <-130 dBc/Hz at 1 kHz offset
- Programmable Vc sensitivity

### APPLICATIONS

- VCXO for mobile phones
- VCXO for other telecommunications systems
- Replacement for TCXO modules

### BLOCK DIAGRAM



## PIN DESCRIPTION

Pin Description	Symbol	x-coordinate	y-coordinate
Power Supply Voltage	VDD	177	172
Serial Bus Data Input	DA	435	1015
Serial Bus Clock Input	CLK	201	1015
Programming Input	PV	1042	1015
Voltage Control Input	VC	1012	158
Crystal Oscillator Output	X1	374	158
Power Supply Ground	VSS	830	1008
Crystal/Varactor Oscillator Input	X2	817	158
Buffer Output	OUT	665	1015

**Note:** Because the substrate of the die is internally connected to GND, the die has to be connected to GND or left floating. Make sure that GND is the first pad to be bonded. Pick-and-place and all component assembly are recommended to be performed in ESD protected area.

**Note:** Pad coordinates are measured from the left bottom corner of the chip to the center of the pads. The coordinates may vary depending on sawing width and location, however, distances between pads are accurate.

## ABSOLUTE MAXIMUM RATINGS

Parameter	Symbol	Min	Max	Unit	Note
Supply Voltage	$V_{DD} - V_{SS}$	-0.3	6.0	V	
Input Voltage	$V_{IN}$	$V_{SS} - 0.3$	$V_{DD} + 0.3$	V	1)
Power Dissipation	$P_{MAX}$		20	mW	
Storage Temperature	$T_{ST}$	-55	150	°C	

**Note:** Not valid for programming pin PV.

## RECOMMENDED OPERATION CONDITIONS

Parameter	Symbol	Conditions	Min	Typ	Max	Unit
Supply Voltage	$V_{DD}$		2.7	2.8	5.5	V
Supply Current	$I_{CC}$	$V_{CC} = 2.8$ Volt		0.85		mA
Operating Temperature	$T_C$		-30		+85	°C
Crystal Load Capacitance	$C_L$			7.0		pF

## ELECTRICAL CHARACTERISTICS

(recommended operation conditions)

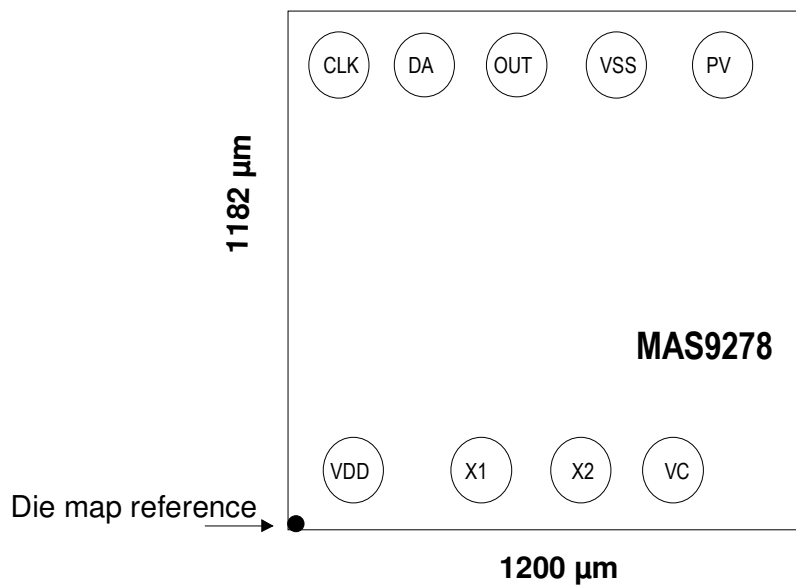
Parameter	Symbol	Min	Typ	Max	Unit	Note
Frequency Range	$f_o$	10.00		30.00	MHz	
Voltage Control Range	$V_C$	0		Vdd		
Voltage Control Sensitivity	$V_{CSENS}$		15..30		ppm/V	1)
Output Voltage (10k $\Omega$ // 10 pF)	$V_{out}$		1.0		Vpp	
Compensation CDAC1 (2 Bit)	$C_{X1}$	C10		C10 + 4.5	pF	2)
Compensation CDAC2 (4 Bit)	$C_{X2}$	C20		C20 + 18	pF	3)
Startup Time	$T_{START}$		2		ms	

**Note 1:** programmable by DN/DP switches

**Note 2:** typ C10 = 4.5 pF

**Note 3:** typ C20 = 12.5 pF

## IC OUTLINES

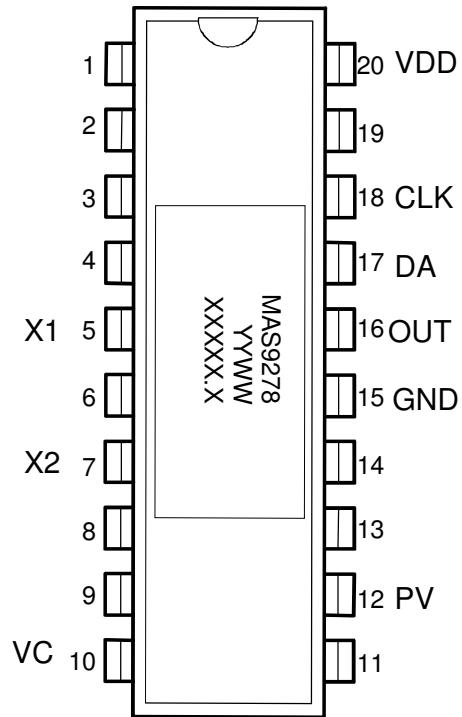


**Note 1:** MAS9278 pads are round with 80  $\mu\text{m}$  diameter at opening.

**Note 2:** Pins CLK and DA can either be connected to VSS or left floating and pin PV can either be connected to VDD or left floating in VCXO module end-user application.

**Note 3:** Die map reference is the actual left bottom corner of the sawn chip.

**SAMPLES IN SB20 DIL PACKAGE**



Top marking:  
YYWW = Year, Week  
XXXXX.X = Lot number

---

**ORDERING INFORMATION**

---

Product Code	Version	Package	Comments
MAS9278ATG1	A	EWS tested wafers 215 $\mu$ m	Larger range of VC sensitivity
MAS9278A	A	SMD Package TBD	Larger range of VC sensitivity
MAS9278B1TG00	B	EWS tested wafers 215 $\mu$ m	Smaller range of VC sensitivity

See DAE9278 page 4 for definition of versions.

Please contact Micro Analog Systems Oy for other wafer thickness options.

---

**LOCAL DISTRIBUTOR**

---

--

---

**MICRO ANALOG SYSTEMS OY CONTACTS**

---

Micro Analog Systems Oy Kamreerintie 2, P.O. Box 51 FIN-02771 Espoo, FINLAND	Tel. +358 9 80 521 Fax +358 9 805 3213 <a href="http://www.mas-oy.com">http://www.mas-oy.com</a>
--	--

**NOTICE**

Micro Analog Systems Oy reserves the right to make changes to the products contained in this data sheet in order to improve the design or performance and to supply the best possible products. Micro Analog Systems Oy assumes no responsibility for the use of any circuits shown in this data sheet, conveys no license under any patent or other rights unless otherwise specified in this data sheet, and makes no claim that the circuits are free from patent infringement. Applications for any devices shown in this data sheet are for illustration only and Micro Analog Systems Oy makes no claim or warranty that such applications will be suitable for the use specified without further testing or modification.