



## DESCRIPTION

PT6964 is an LED Controller driven on a 1/7 to 1/8 duty factor. 10 segment output lines, 4 grid output lines, 3 segment/ grid output lines, one display memory, control circuit, key scan circuit are all incorporated into a single chip to build a highly reliable peripheral device for a single chip microcomputer. Serial data is fed to PT6964 via a three-line serial interface. Housed in a 28 pins SOP Package, PT6964 pin assignments and application circuit are optimized for easy PCB Layout and cost saving advantages.

## FEATURES

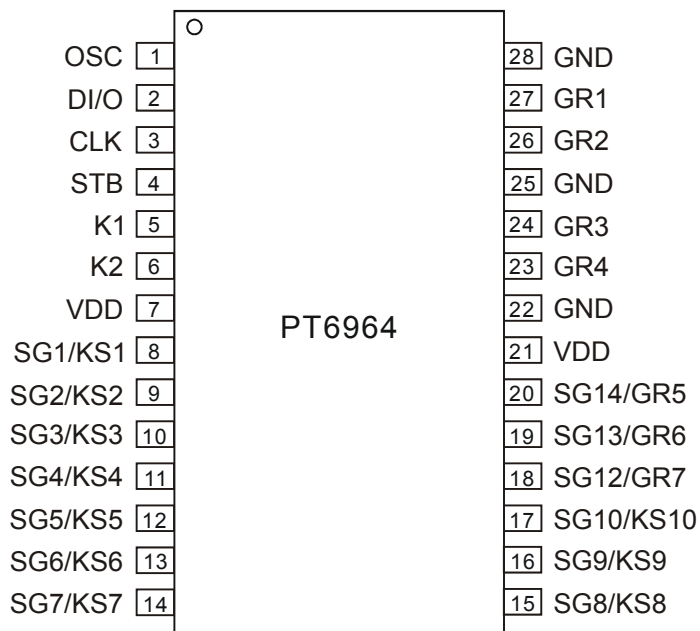
- CMOS technology
- Low power consumption
- Multiple display modes (10 segment, 7 grid to 13 segment, 4 grid)
- Key scanning (10 x 2 Matrix)
- 8-step dimming circuitry
- Serial interface for clock, data input, data output, strobe pins
- Available in 28 pins, SOP

## APPLICATIONS

- Micro-computer peripheral device
- VCR set
- Combo set

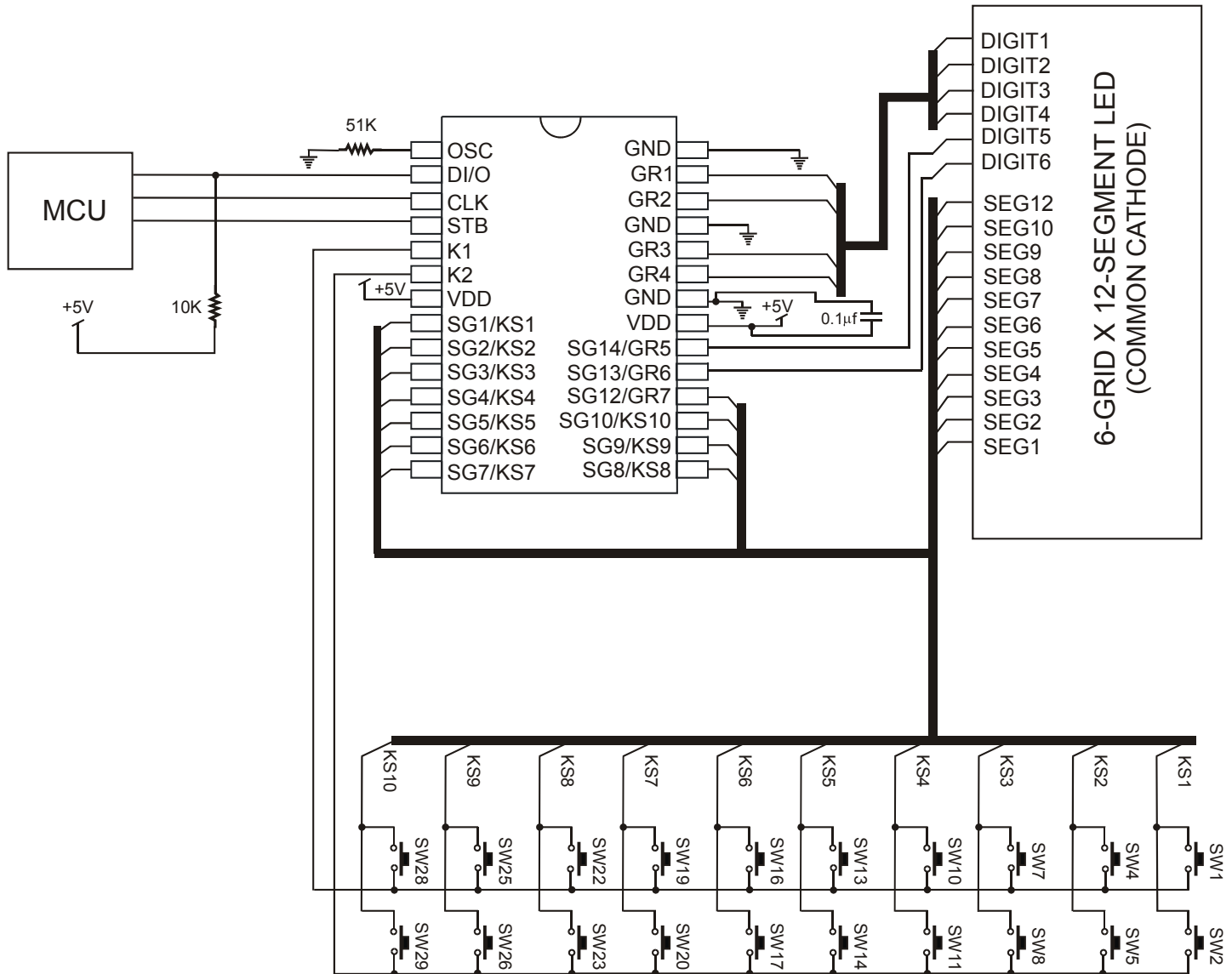


## PIN DESCRIPTION





# APPLICATION CIRCUIT



## Notes:

1. The capacitor (0.1µF) connected between the GND and the VDD pins must be located as close as possible to the PT6964 chip.
2. It is strongly suggested that the NC pin (pins 13) be connected to the GND.
3. The PT6964 power supply is separate from the application system power supply.



## ORDER INFORMATION

Valid Part Number	Package Type	Top Code
PT6964-S (L)	28 Pins, SOP, 300mil	PT6964-S

Notes:

1. (L), (C) or (S) = Lead Free.
2. The Lead Free mark is put in front of the date code.