



Echo IC with Built-in Microphone Amplifier & Output Mixer

PT2390

DESCRIPTION

PT2390 is a digital echo IC utilizing CMOS Technology. Microphone Amplifier, Output Mixer, internal 44K RAM and Vocal Switch are all integrated in a single chip to provide a digital echo IC of the the highest standard. Very low distortion and high S/N Ratio qualities, not to mention the built-in VCO feature which eliminates the need for an external crystal oscillator are just some of the features of PT2390. Pin assignments and application circuit are optimized for easy PCB Layout and low cost effectiveness.

FEATURES

- CMOS Technology
- Least External Component
- 5V Power Supply
- 2 Microphone Amplifier and KARAOKE Automatic Vocal Changer
- Built-in 44K RAM
- Built-in VCO, eliminating the need for a crystal oscillator
- Low Total Harmonic Distortion : Microphone Pre-Amplifier <0.09% (typ.)
: Echo Processor < 0.5% (typ.)
- High S/N Ratio : Microphone Pre-Amplifier > 85 (no - weighting)
: Echo Processor > 80 dB (no - weighting)
- Available in 28-pin, DIP or SO Package

APPLICATIONS

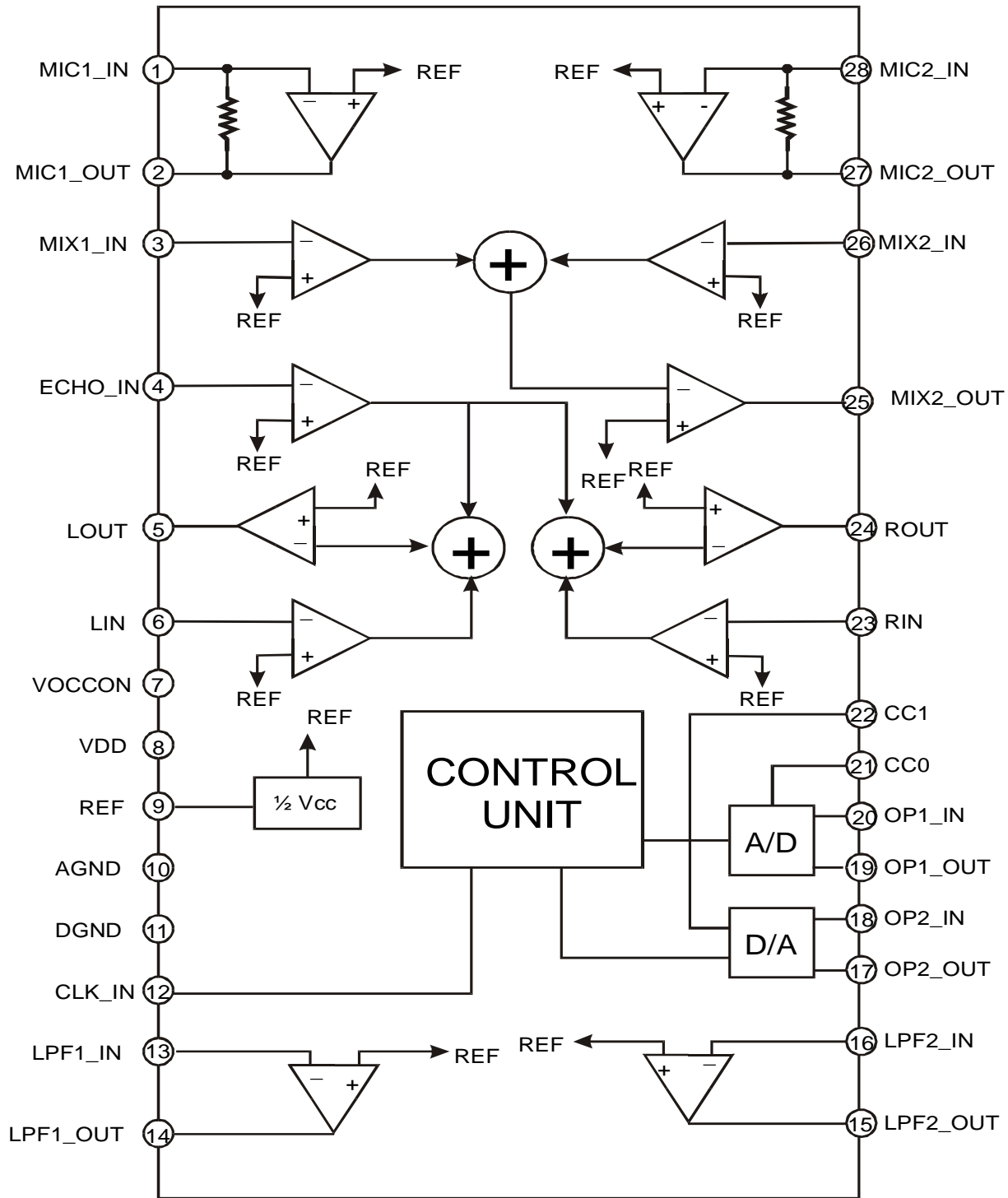
- DVD, VCD
- KARAOKE
- VCR
- Mini Compo
- Other Audio Equipments



Echo IC with Built-in Microphone Amplifier & Output Mixer

PT2390

BLOCK DIAGRAM

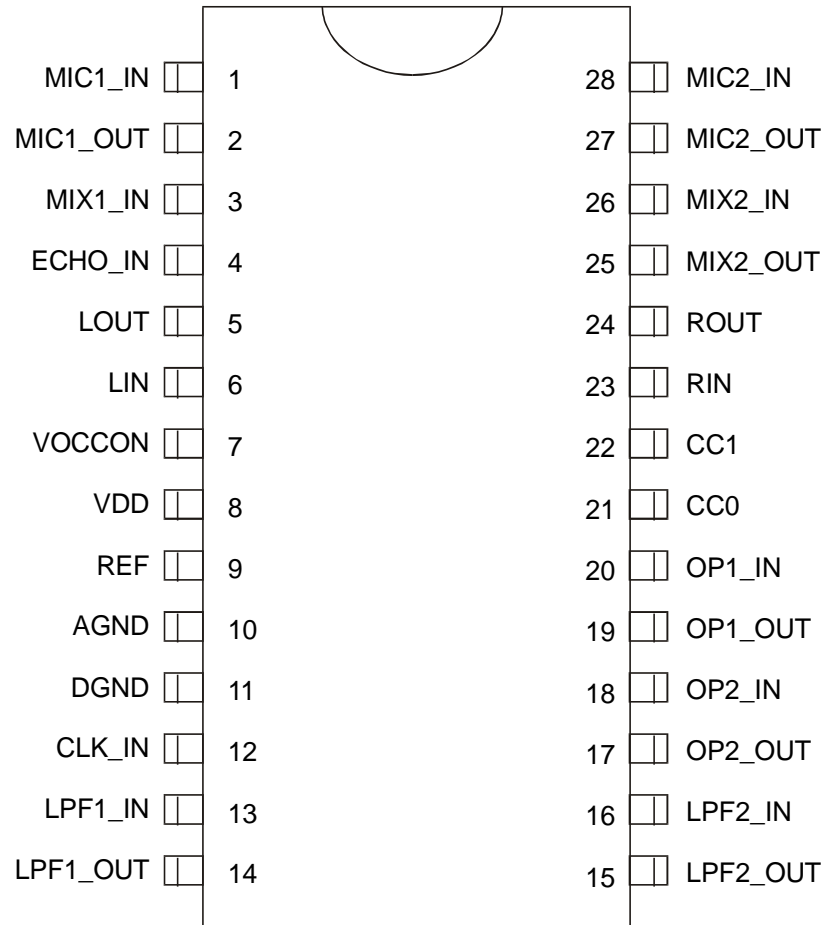




Echo IC with Built-in Microphone Amplifier & Output Mixer

PT2390

PIN CONFIGURATION



PT2390



Echo IC with Built-in Microphone Amplifier & Output Mixer

PT2390

PIN DESCRIPTION

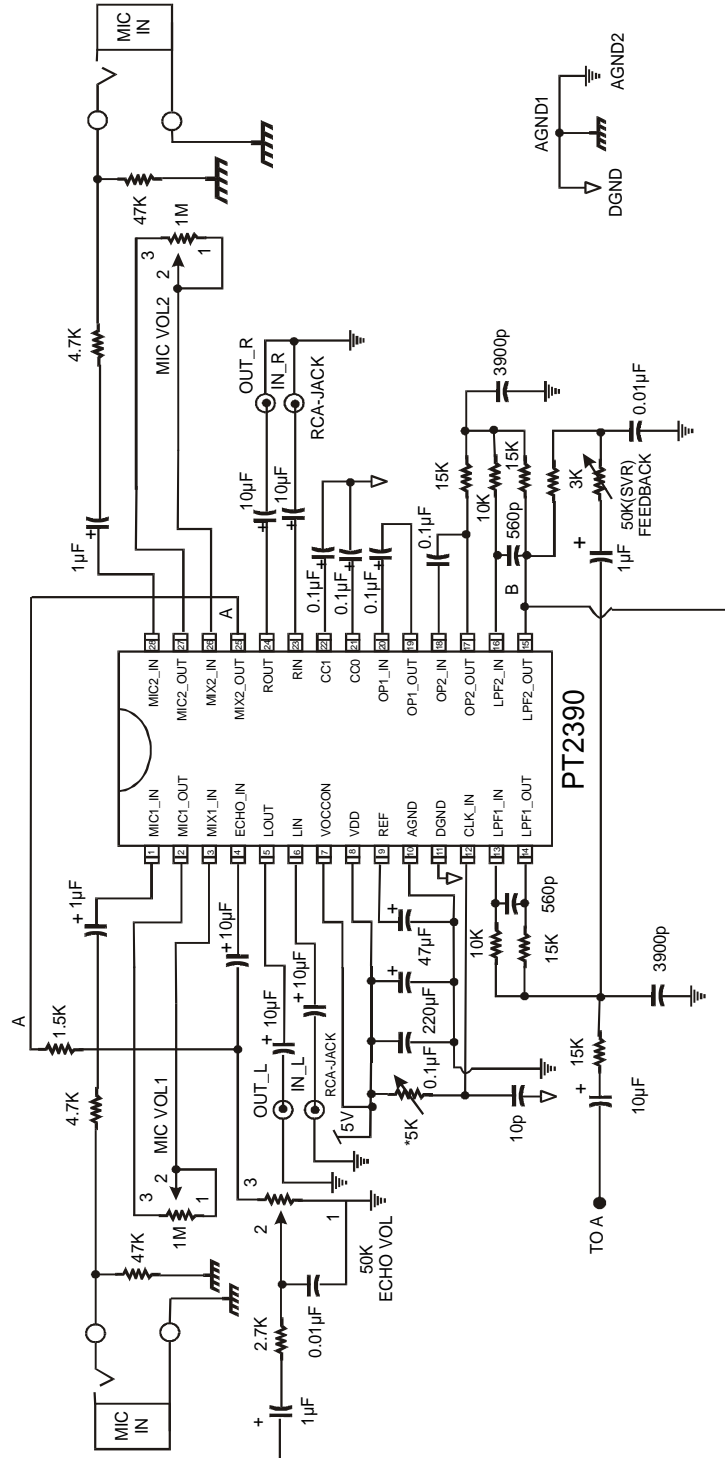
| Pin Name | I/O | Description | Pin No. |
|----------|-----|--|---------|
| MIC1_IN | I | Microphone 1 Amplifier Input | 1 |
| MIC2_OUT | O | Microphone 1 Amplifier Output | 2 |
| MIX1_IN | I | Mixer 1 Input | 3 |
| ECHO_IN | I | Echo Input | 4 |
| LOUT | O | Left Channel Output | 5 |
| LIN | I | Left Channel Input | 6 |
| VOCCON | I | Auto-Vocal Changer Control Terminal When this pin is pulled "HIGH" (VDD), RIN is connected to ROUT and LIN is connected to LOUT. When this pin is pulled "LOW" (GND), LIN is connected to ROUT and LOUT. | 7 |
| VDD | - | Power Supply | 8 |
| REF | - | Reference Voltage Connects to 47 µf to GND | 9 |
| AGND | - | Analog Ground | 10 |
| DGND | - | Digital Ground | 11 |
| CLK_IN | I | System Clock Input | 12 |
| LPF1_IN | I | Low-Pass Filter 1 Input | 13 |
| LPF1_OUT | O | Low-Pass Filter 1 Output | 14 |
| LPF2_IN | I | Low-Pass Filter 2 Input | 15 |
| LPF2_OUT | O | Low-Pass Filter 2 Output | 16 |
| OP2_OUT | O | OP Amplifier 2 Output | 17 |
| OP2_IN | I | OP Amplifier 2 Input | 18 |
| OP1_OUT | O | OP Amplifier 1 Output | 19 |
| OP1_IN | I | OP Amplifier 1 Input | 20 |
| CC0 | - | Current Control 0 | 21 |
| CC1 | - | Current Control 1 | 22 |
| RIN | I | Right Channel Input | 23 |
| ROUT | O | Right Channel Output | 24 |
| MIX2_OUT | O | Mixer 2 Output | 25 |
| MIX2_IN | I | Mixer 2 Input | 26 |
| MIC2_OUT | O | Microphone 2 Amplifier Output | 27 |
| MIC2_IN | I | Microphone 2 Amplifier Input | 28 |



Echo IC with Built-in Microphone Amplifier & Output Mixer

PT2390

APPLICATION CIRCUIT



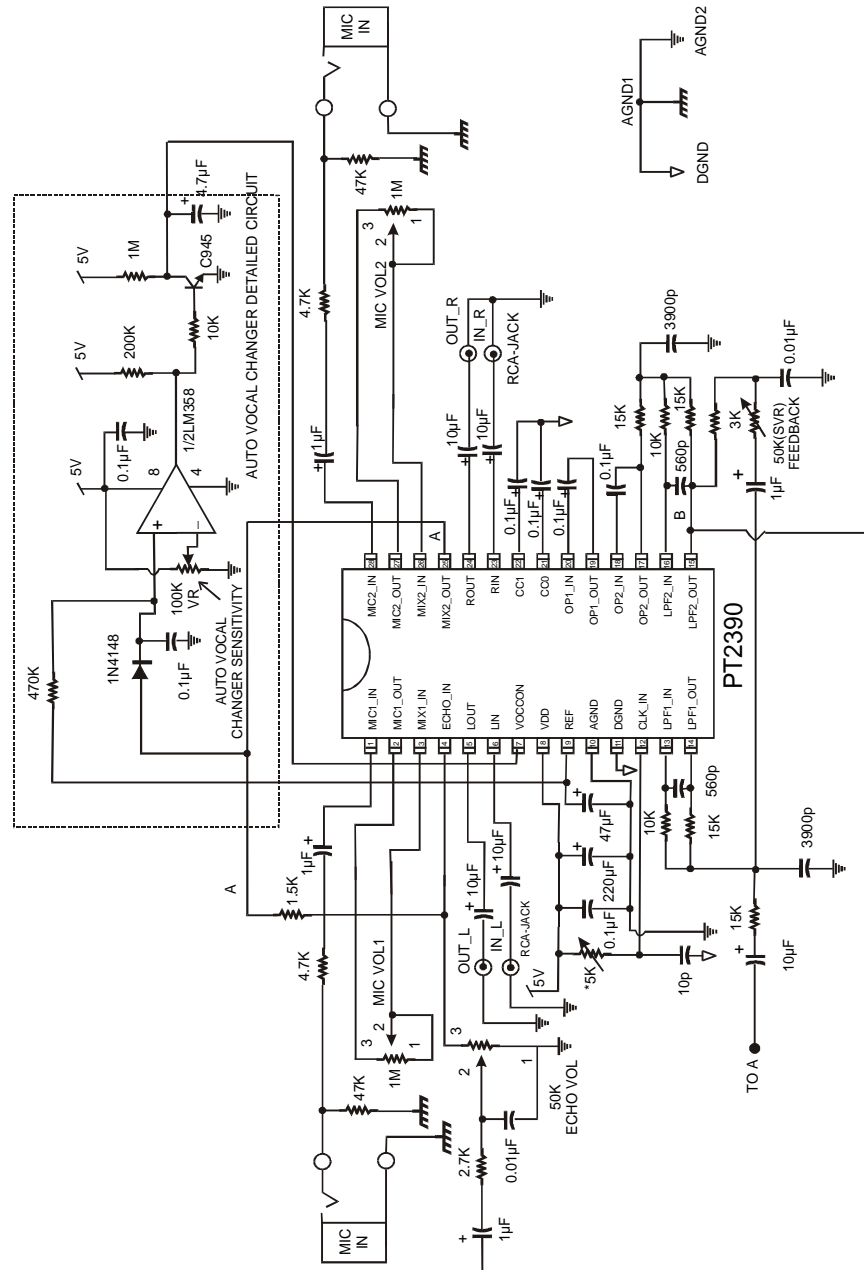
Note: * = You can adjust the 5K Variable Resistor value in order to change the Oscillator Frequency. The Oscillator waveform can be measured from Pin No.12. It must be kept in mind that the probe's capacitor can cause erroneous oscillator waveform measurement.



Echo IC with Built-in Microphone Amplifier & Output Mixer

PT2390

AUTO-VOCAL CHANGER APPLICATION CIRCUIT



Guidelines in using this Application Circuit:

1. IN_R must be connected to Human Vocal Input.
2. IN_L must be connected to KARAOKE Music

Note: * = You can adjust the 5K Variable Resistor value in order to change the Oscillator Frequency. The Oscillator waveform can be measured from Pin No.12. It must be kept in mind that the probe's capacitor can cause erroneous oscillator waveform measurement.



Echo IC with Built-in Microphone Amplifier & Output Mixer

PT2390

ORDER INFORMATION

| Valid Part Number | Package |
|-------------------|------------------------|
| PT2390 | 28 Pins, DIP (300 mil) |
| PT2390-S | 28 Pins, SO (300 mil) |