



DESCRIPTION

The PT2303 is a power amplifier utilizing CMOS Technology specially designed for audio purpose. It can deliver 2W × 2 power output to the 5V power voltage. The power consumption is very low in stand-by. Total harmonic distortion is lower than 0.03%. The output mode can be switched between the SE (Single-Ended) or BTL (Bridge-Tied Load) mode. Built-in over-temperature protection, package size is not occupies PCB space. It is suitable for small or portable products.

FEATURES

- CMOS Technology
- Stereo input
- Output power 2W × 2 (4Ω)
- Low harmonics distortion (0.03%)
- SE and BTL modes operation
- Suppress the pop and click noise when mode changed
- Shutdown function, turn on can into save mode ($I_{cc} < 0.5\mu A$)
- Built-in overheat protect

APPLICATIONS

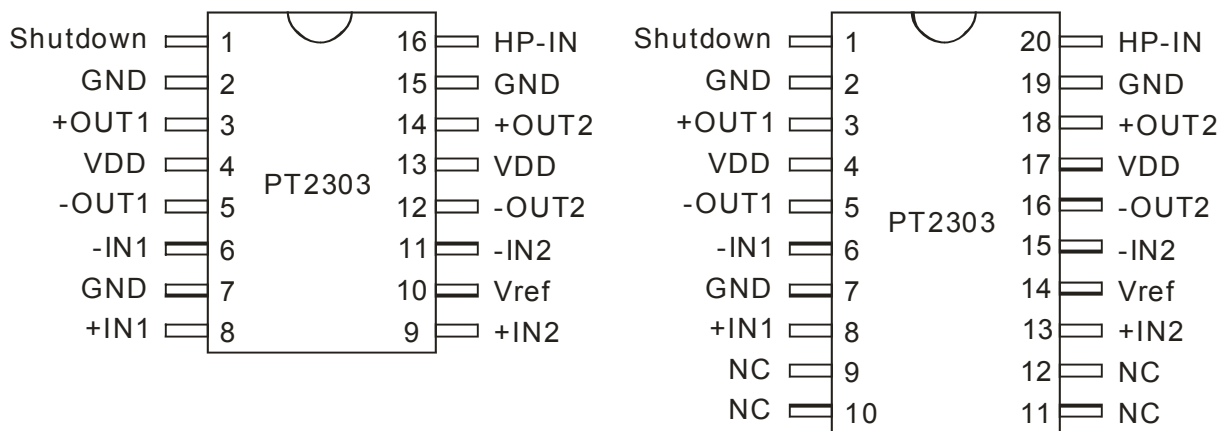
- LCD monitor (for TV)
- Portable audio
- Multimedia speakers
- Other audio applications



2W × 2 Class AB Audio Power Amplifier

PT2303

PIN CONFIGURATION



PIN DESCRIPTION

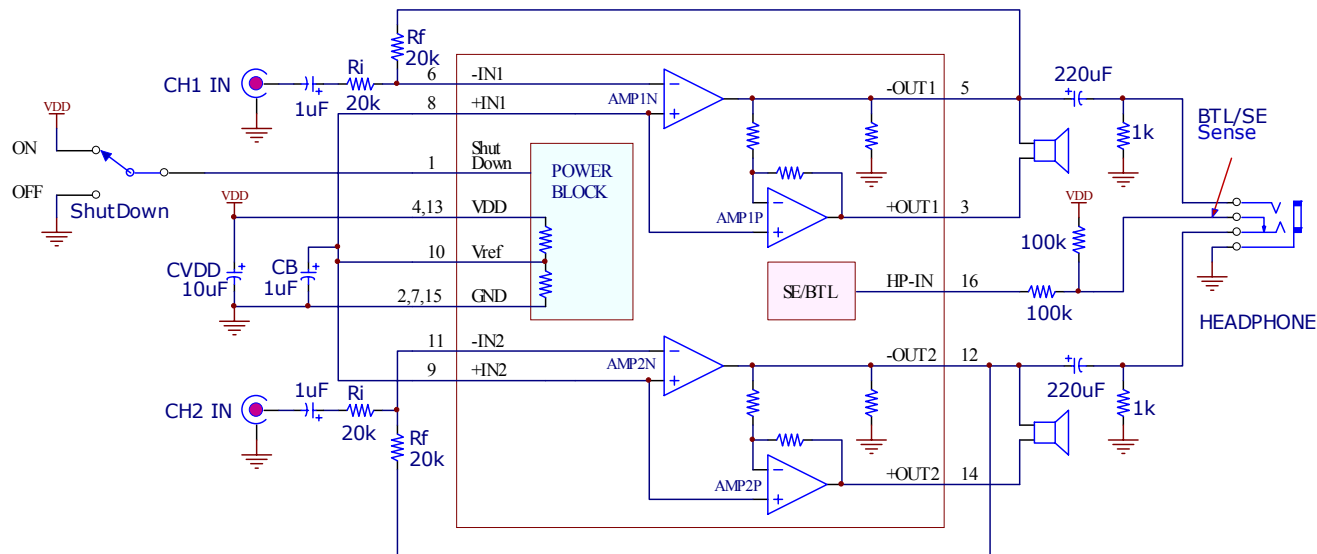
Pin Name	I/O	Description	Pin No.	
			16 Pins	20 Pins
Shutdown	I	Shutdown pin. Entire IC into the shutdown mode when this pin connected to the Vcc.	1	1
GND	-	Ground	2	2
+OUT1	O	Channel 1 output (+)	3	3
VDD	-	Supply voltage input	4	4
-OUT1	O	Channel 1 output (-)	5	5
-IN1	I	Channel 1 input (-)	6	6
GND	-	Ground	7	7
+IN1	I	Channel 1 input (+)	8	8
+IN2	I	Channel 2 input (+)	9	13
Vref	I	Bias reference bypassing	10	14
-IN2	I	Channel 2 input (-)	11	15
-OUT2	O	Channel 2 output (-)	12	16
VDD	-	Supply voltage input	13	17
+OUT2	O	Channel 2 output (+)	14	18
GND	-	Ground	15	19
HP-IN	I	Output mode select, connected to the VDD for SE mode or GND for BTL mode	16	20
NC	-	No Connect	-	9 ~ 12



2W × 2 Class AB Audio Power Amplifier

PT2303

APPLICATION CIRCUIT





ORDER INFORMATION

Valid Part Number	Package Type	Top Code
PT2303-D (L)	16 Pins, DIP, 300mil	PT2303-D
PT2303-S (L)	16 Pins, SOP, 300mil	PT2303-S
PT2303-TX (L)	20 Pins, TSSOP	PT2303-TX

Notes:

1. (L), (C) or (S) = Lead Free.
2. The Lead Free mark is put in front of the date code.