



DESCRIPTION

PT2272 is a remote control decoder paired with PT2262 utilizing CMOS Technology. It has 12 bits of tri-state address pins providing a maximum of 531,441 (or 312) address codes; thereby, drastically reducing any code collision and unauthorized code scanning possibilities. PT2272 is available in several options to suit every application need: variable number of data output pins, latch or momentary output type.

FEATURES

- CMOS Technology
- Low Power Consumption
- Very High Noise Immunity
- Up to 12 Tri-State Code Address Pins
- Up to 6 Data Pins
- Wide Range of Operating Voltage: VCC=4~15V
- Single Resistor Oscillator
- Latch or Momentary Output Type
- Available in DIP and SOP

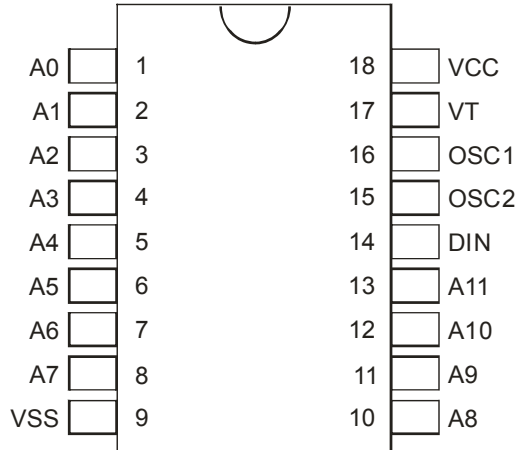
APPLICATIONS

- Car Security System
- Garage Door Controller
- Remote Control Fan
- Home Security/Automation System
- Remote Control Toys
- Remote Control for Industrial Use

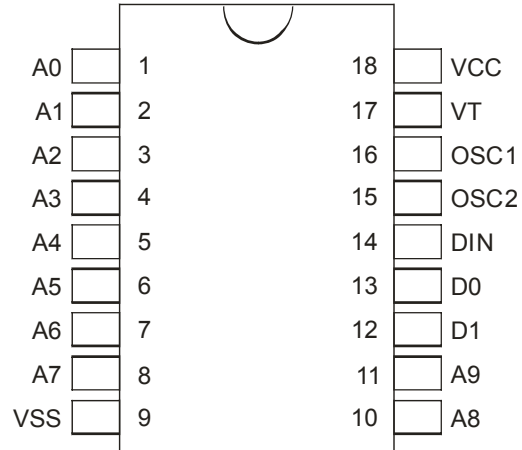


PIN CONFIGURATION

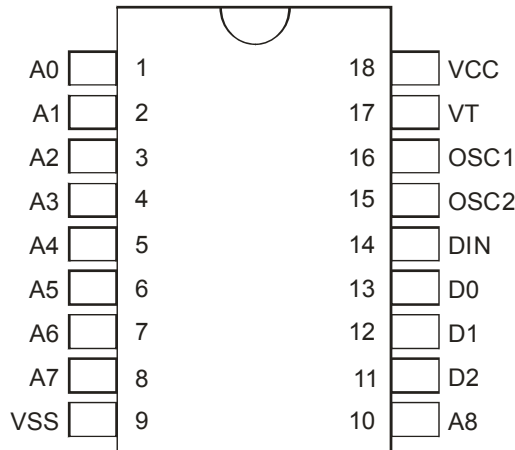
18 PINS



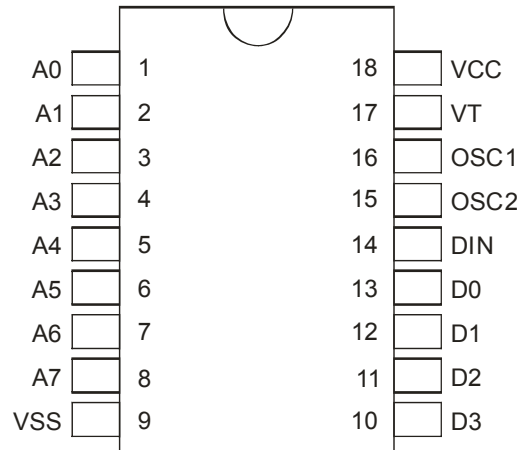
PT2272



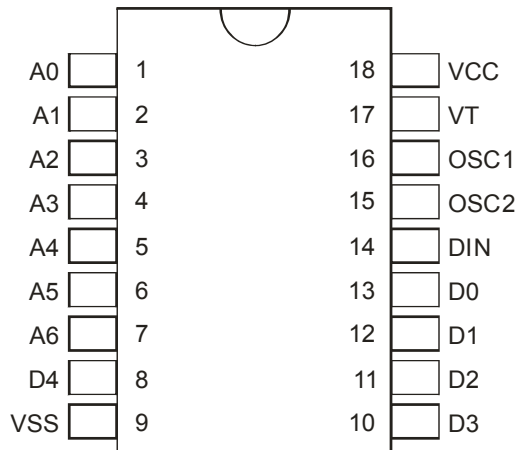
PT2272A-M2/L2



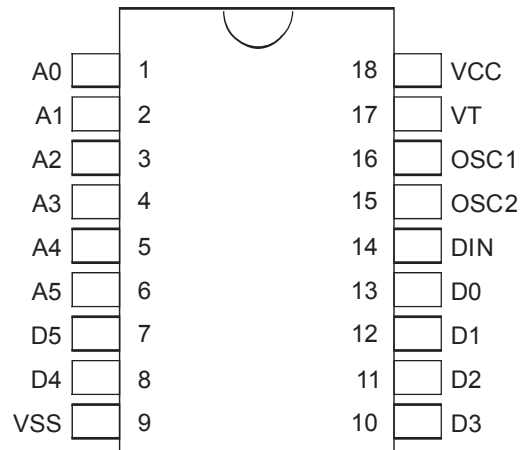
PT2272-M3/L3



PT2272-M4/L4



PT2272-M5/L5



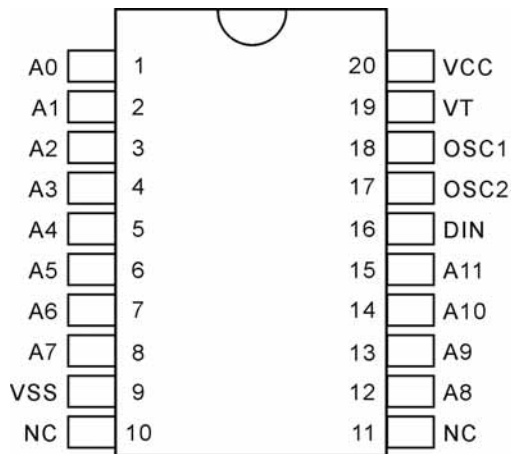
PT2272-M6/L6



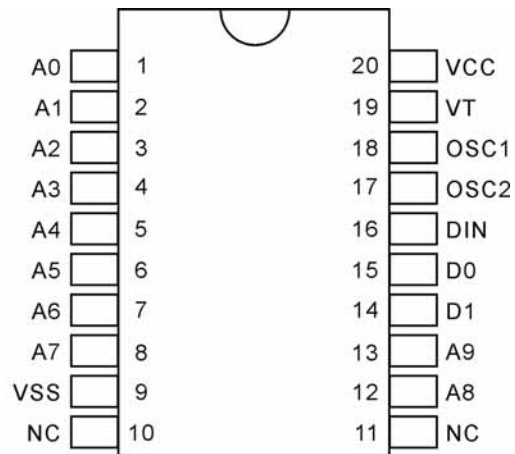
Remote Control Decoder

PT2272

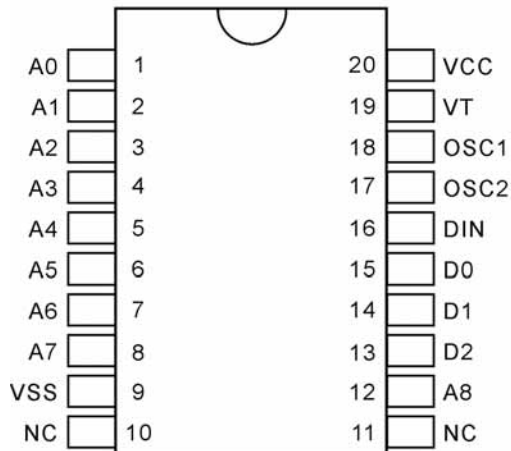
20 PINS



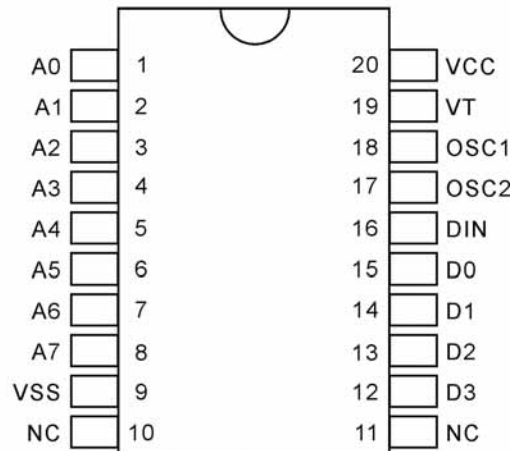
PT2272-S



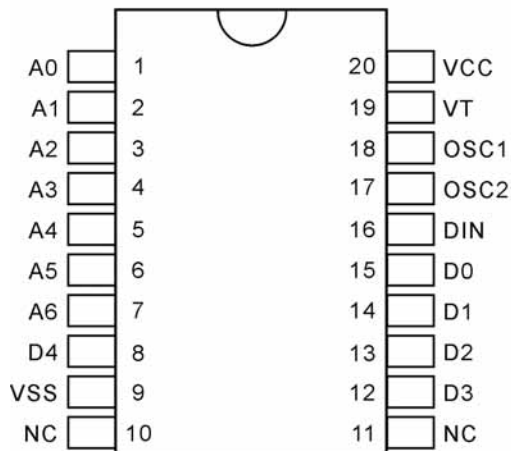
PT2272A-M2S/L2S



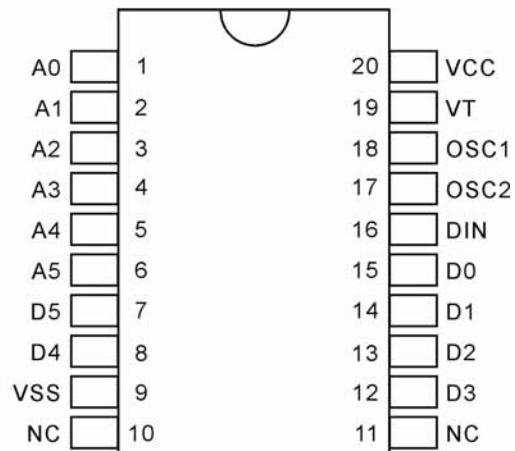
PT2272-M3S/L3S



PT2272-M4S/L4S



PT2272-M5S/L5S

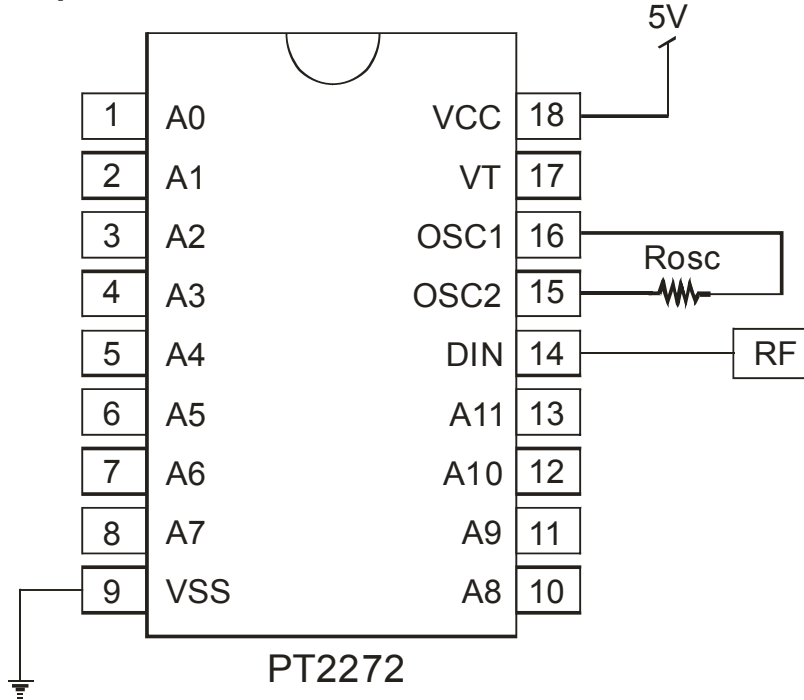


PT2272-M6S/L6S

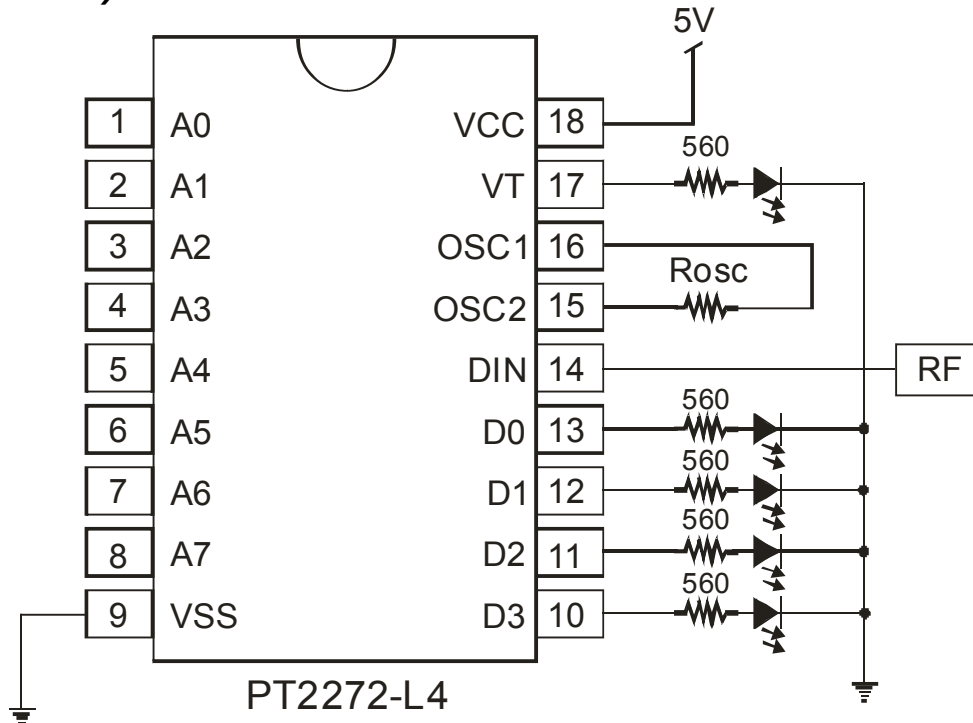


APPLICATION CIRCUIT

PT2272 (NO DATA) RF APPLICATION

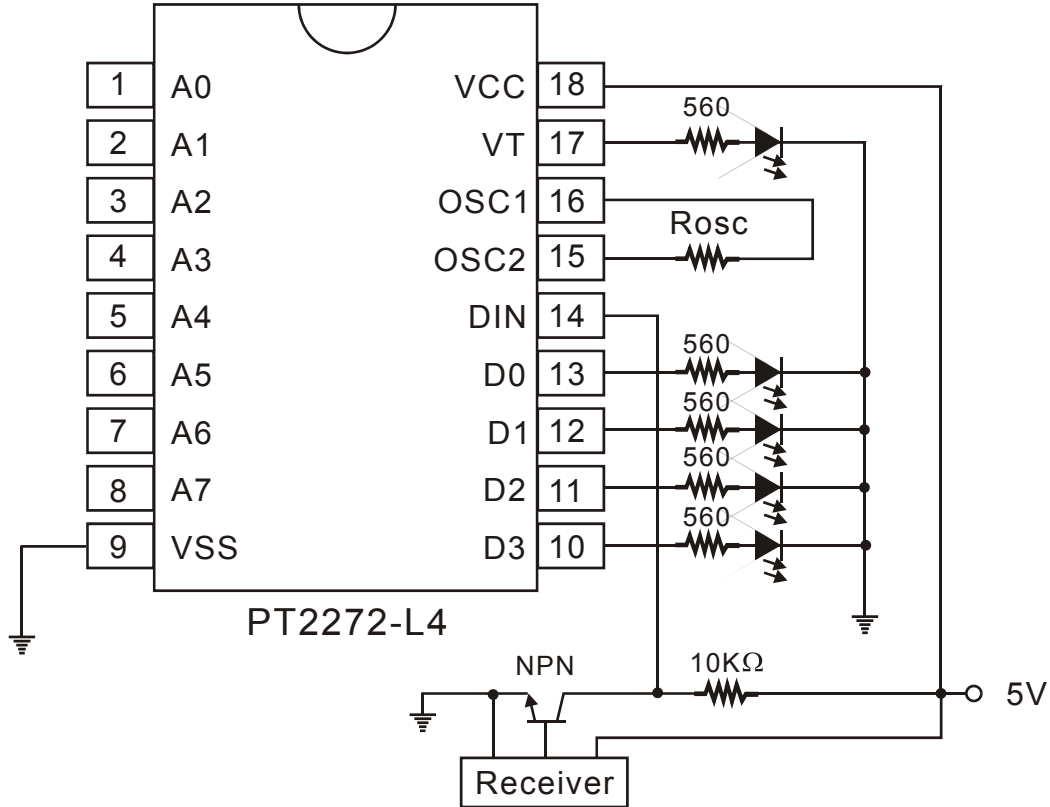


PT2272 (4 DATA) RF APPLICATION CIRCUIT





PT2272 (4 DATA) IR APPLICATION CIRCUIT





ORDER INFORMATION

| Valid Part No. | Package Type | Data Bits | Output Type | Top Code |
|----------------|--------------|-----------|-------------|----------|
| PT2272A-M2-S18 | 18 PINS, SOP | 2 | Momentary | PT2272 |

| Valid Part No. | Package Type | Data Bits | Output Type | Top Code |
|----------------|--------------|-----------|-------------|------------|
| PT2272 | 18 PINS, DIP | - | * | PT2272 |
| PT2272-L2 | 18 PINS, DIP | 2 | Latch | PT2272-L2 |
| PT2272-L3 | 18 PINS, DIP | 3 | Latch | PT2272-L3 |
| PT2272-L4 | 18 PINS, DIP | 4 | Latch | PT2272-L4 |
| PT2272-L5 | 18 PINS, DIP | 5 | Latch | PT2272-L5 |
| PT2272-L6 | 18 PINS, DIP | 6 | Latch | PT2272-L6 |
| PT2272-M2 | 18 PINS, DIP | 2 | Momentary | PT2272-M2 |
| PT2272-M3 | 18 PINS, DIP | 3 | Momentary | PT2272-M3 |
| PT2272-M4 | 18 PINS, DIP | 4 | Momentary | PT2272-M4 |
| PT2272-M5 | 18 PINS, DIP | 5 | Momentary | PT2272-M5 |
| PT2272-M6 | 18 PINS, DIP | 6 | Momentary | PT2272-M6 |
| PT2272A-L2 | 18 PINS, DIP | 2 | Latch | PT2272A-L2 |
| PT2272A-M2 | 18 PINS, DIP | 2 | Momentary | PT2272A-M2 |

| Valid Part No. | Package Type | Data Bits | Output Type | Top Code |
|----------------|--------------|-----------|-------------|-------------|
| PT2272-S | 20 PINS, SOP | - | * | PT2272-S |
| PT2272-L3S | 20 PINS, SOP | 3 | Latch | PT2272-L3S |
| PT2272-L4S | 20 PINS, SOP | 4 | Latch | PT2272-L4S |
| PT2272-L5S | 20 PINS, SOP | 5 | Latch | PT2272-L5S |
| PT2272-L6S | 20 PINS, SOP | 6 | Latch | PT2272-L6S |
| PT2272-M2S | 20 PINS, SOP | 2 | Momentary | PT2272-M2S |
| PT2272-M3S | 20 PINS, SOP | 3 | Momentary | PT2272-M3S |
| PT2272-M4S | 20 PINS, SOP | 4 | Momentary | PT2272-M4S |
| PT2272-M5S | 20 PINS, SOP | 5 | Momentary | PT2272-M5S |
| PT2272-M6S | 20 PINS, SOP | 6 | Momentary | PT2272-M6S |
| PT2272A-L2S | 20 PINS, SOP | 2 | Latch | PT2272A-L2S |
| PT2272A-M2S | 20 PINS, SOP | 2 | Momentary | PT2272A-M2S |

Note 1:

*=use VT (Valid Transmission).

Notes 2:

- (L), (C) or (S) = Lead Free [ex. PT2272 (L)].
- The Lead Free mark is put in front of the date code.