

US Audio Multiplexing Decoder IC

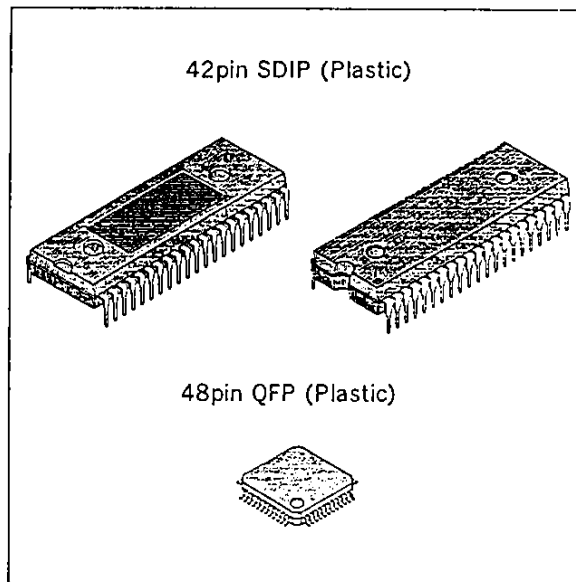
For the availability of this product, please contact the sales office.

Description

CXA1124/CXA1534 is an IC designed for the MTS decoding systems. This device contains a stereo signal demodulator, a SAP (Second Audio Program) signal demodulator and a dbx-TV noise reduction decoder. The Main 100% reference input level of the CXA1124 (CXA1534) is 245mVrms (100mVrms).

Features

- All functions of the MTS decoding system included on a chip.
- Minimized external components using integrated active filtering technique
- Reduced adjustment points using optimized filter characteristics, a quasi-sine wave stereo demodulator and a SAP demodulator.
- Has a sub output which allows independent setting of a mode.
- Allows automatic changeover between ON and OFF in the SAP mode when SAP broadcasting is OFF.
- Adjustment-free pilot cancel circuit.
- Wide operating voltage range (4.7 to 10V)

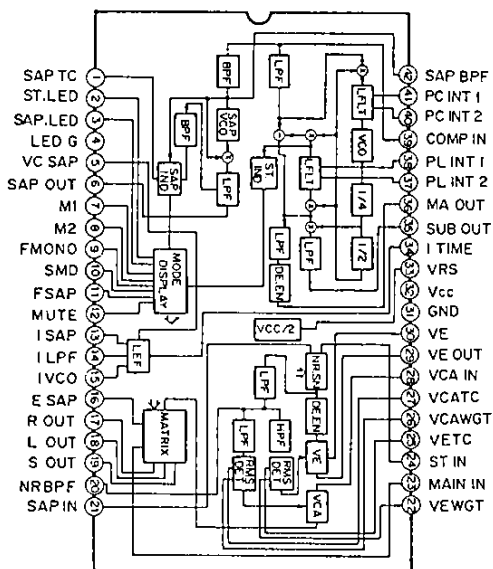


Structure

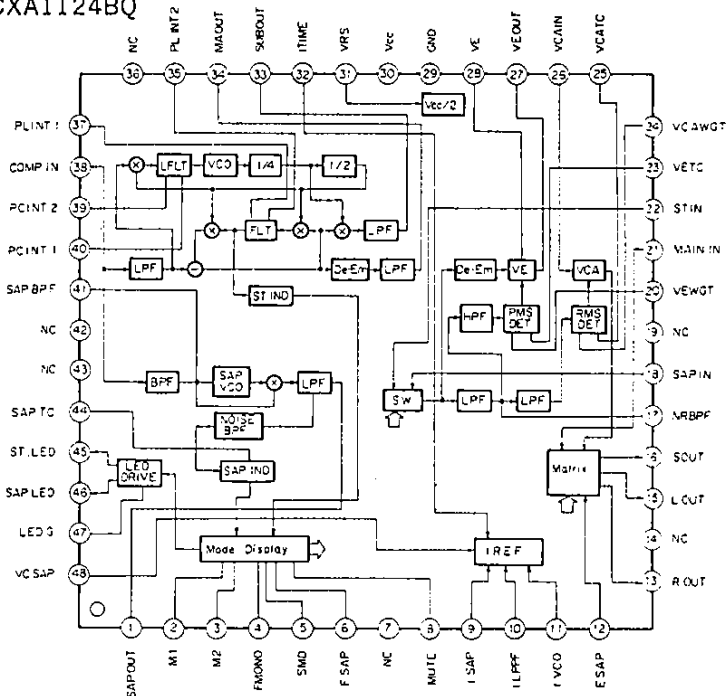
Bipolar silicon monolithic IC

Block Diagram and Pin Configuration

CXA1124BS



CXA1124BQ



Absolute Maximum Ratings (Ta=25°C)

| | | | |
|-------------------------------|--------------------|--------------------------------------|----|
| • Supply voltage | V _{CC} | 12 | V |
| • LED drive current | I _{O max} | 25 | mA |
| • Operating temperature | T _{opr} | -20 to +75 | °C |
| • Storage temperature | T _{stg} | -55 to +150 | V |
| • Allowable power dissipation | P _D | 2200 (42pin SDIP) 600 (48pin QFP) | mW |

Operating Conditions

| | | | |
|------------------|-----------------|-------------|---|
| • Supply voltage | V _{CC} | 4.7 to 10.0 | V |
|------------------|-----------------|-------------|---|

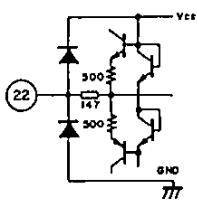
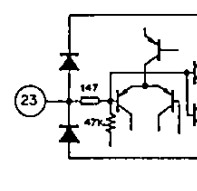
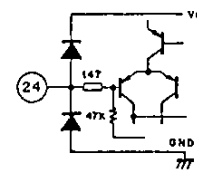
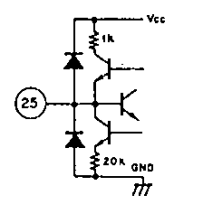
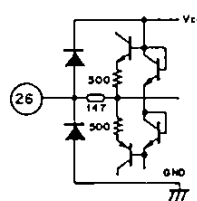
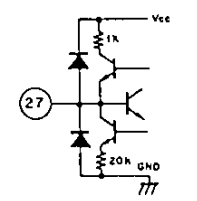
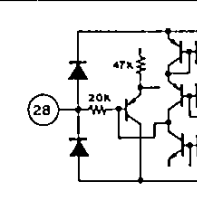
Pin Description and Equivalent Circuit

Ta=25°C, V_{CC}=9V

| No. | | Symbol | Voltage (Typ.) | Equivalent circuit | Description |
|------|-----|---------|----------------|--------------------|--|
| SDIP | QFP | | | | |
| 1 | 44 | SAP TC | 3.4V | | Sets the time constant of the SAP carrier detection circuit. |
| 2 | 45 | ST LED | 0.9V | | Drives LED when stereo broadcasting is on. Open collector output. |
| 3 | 46 | SAP LED | | | Drives LED when SAP broadcasting is on. |
| 4 | 47 | LED G | | | GND of LED. |
| 5 | 48 | VC SAP | 4.5V | | Control pin of SAP VCO oscillation frequency. SAP VCO oscillating frequency can be varied by applying DC voltage to this pin. Normally a resistance or a variable resistance is connected. |
| 6 | 1 | SAP OUT | 4.5V | | Output pin of SAP FM detector. |

| No. | | Symbol | Voltage (Typ.) | Equivalent circuit | Description |
|------|-----|--------|----------------------------------|--------------------|--|
| SDIP | QFP | | | | |
| 7 | 2 | M1 | L: GND to 0.8V H: 2.0V to Vcc | | Mode control switch pin. This pin is used in conjunction with M2 of pin 8. |
| 8 | 3 | M2 | L: GND to 0.8V H: 2.0V to Vcc | | Mode control switch pin. This pin is used in conjunction with M1 of pin 7. |
| 9 | 4 | FMONO | L: GND to 0.8V H: 2.0V to Vcc | | Mode control switch pin. Has 3 ranges of input, sets forced monoral mode and also controls ST.LED. |
| 10 | 5 | SMD | L: GND to 0.8V H: 2.0V to Vcc | | Mode control switch pin. Controls SOUT pin output. |
| 11 | 6 | FSAP | L: GND H: Vcc | | Mode control switch pin. This pin's control voltage is different from that of other mode control switch pins. |
| 12 | 8 | MUTE | L: GND to 0.8V H: 2.0V to Vcc | | Mode control switch pin. By setting this pin to H level all outputs turn to mute. |
| 13 | 9 | I SAP | 1.3V | | Sets the reference current of SAP filters. By adjusting the current that flows into this pin the cut off frequency can be changed. |
| 14 | 10 | I LPF | 1.3V | | Sets the reference current of stereo and dbx-TV NR filters. By adjusting the current that flows into this pin the respective cut off frequencies can be changed. |

| No. | | Symbol | Voltage (Typ.) | Equivalent circuit | Description |
|------|-----|--------|----------------|--------------------|--|
| SDIP | QFP | | | | |
| 15 | 11 | I VCO | 1.3V | | Sets the reference current of stereo VCO and SAP VCO. By adjusting the current that flows into this pin the respective oscillation frequencies can be changed. |
| 16 | 12 | E SAP | 4.5V | | Inputs SAP signal from the external dbx-TV NR (option). |
| 17 | 13 | R OUT | 4.5V | | Rch output pin. |
| 18 | 15 | L OUT | 4.5V | | Lch output pin. |
| 19 | 16 | S OUT | 4.5V | | Optional output pin. From this pin monaural or SAP (only when the external dbx-TV NR is connected) is output. |
| 20 | 17 | NR BPF | 4.5V | | Pin for the filter monitor of dbx-TV block. |
| 21 | 18 | SAP IN | 4.5V | | Inputs the signal from SAP OUT of pin 6. |

| No. | | Symbol | Voltage (Typ.) | Equivalent circuit | Description |
|------|-----|---------|----------------|---|--|
| SDIP | QFP | | | | |
| 22 | 20 | VE WGT | 4.5V |  | Weighting pin of the variable de-emphasis control RMS value detection circuit. |
| 23 | 21 | MAIN IN | 4.5V |  | Inputs (L+R) signal from MAIN OUT of pin 36. |
| 24 | 22 | ST IN | 4.5V |  | Inputs (L-R) signal from SUB OUT of pin 35. |
| 25 | 23 | VE TC | 2V |  | Determines the recovery time constant of the variable de-emphasis control RMS value detection circuit. By connecting a 3.3μF capacitance, normal recovery time constant can be obtained. |
| 26 | 24 | VCA WGT | 4.5V |  | Weighting pin of VCA control RMS value detection circuit. |
| 27 | 25 | VCA TC | 2V |  | Determines the recovery time constant of VCA control RMS value detection circuit. By connecting a 10μF capacitance, normal recovery time constant can be obtained. |
| 28 | 26 | VCA IN | 4.5V |  | VCA input pin. Through a coupling capacitor, input the variable de-emphasis output signal of pin 29. |

| No. | | Symbol | Voltage (Typ.) | Equivalent circuit | Description |
|------|-----|---------|----------------|--------------------|--|
| SDIP | QFP | | | | |
| 29 | 27 | VE OUT | 4.5V | | Variable de-emphasis output pin. |
| 30 | 28 | VE | 4.5V | | Variable de-emphasis integral pin. |
| 31 | 29 | GND | | | |
| 32 | 30 | Vcc | | | |
| 33 | 31 | VRS | 4.5V | | Reference potential pin of the signal. Voltage becomes half that of the supply voltage. |
| 34 | 32 | I TIME | 1.3V | | Input pin for the timing current of the RMS value detection. The timing current determines the normal time constant of the detection circuit and the variable de-emphasis characteristics. |
| 35 | 33 | SUB OUT | 4.5V | | Output pin of L-R signal. |
| 36 | 34 | MA OUT | 4.5V | | Output pin of L+R signal. |

| No. | | Symbol | Voltage (Typ.) | Equivalent circuit | Description |
|------|-----|---------|--|--------------------|---|
| SDIP | QFP | | | | |
| 37 | 35 | PL INT2 | For stereo : 5.5V For monaural : 3.5V | | Integral pin of the pilot cancel circuit loop filter. |
| 38 | 37 | PL INT1 | 4.5V | | |
| 39 | 38 | COMP IN | 4.5V | | Audio multiplex signals are input through this pin. |
| 40 | 39 | PC INT2 | 4.5V | | Integral pin of the stereo block PLL loop filter. |
| 41 | 40 | PC INT1 | 4.5V | | |
| 42 | 41 | SAP BPF | 4.5V | | SAP BPF monitor pin. |

Electrical Characteristics

(Unless otherwise specified Ta=25°C, Vcc=9V, 0dB=100% modulation level, FH=15.734kHz)

100%modulation level→ Main (L+R) level=-10dBm (245mVrms)(Pre-Emphasis ON)
 (Reference level) Sub (L-R) level=-4dBm (490mVrms)(dbx-TV OFF)

Pilot level=-24.0dBm (49mVrms)

SAP level=-14.4dBm (147mVrms)(10kHz peak deviation, dbx-TV OFF)

The reference input levels of the CXA1534 (at Pin 39) are 1/2.45 times the equivalent values at the head of this page, The Main level is 100mVrms.

Stereo section (Including operation supply voltage and consumption circuit)

| No. | Item | Symbol | Condition | | | | Min. | Typ. | Max. | Unit |
|-----|--------------------------------|--------|-----------|-------|----------------|---|-------|------|------|------|
| | | | Mode | Input | Output | Others | | | | |
| 1 | Operating supply voltage | Vcc | — | — | — | No signal | 4.7 | | 10.0 | V |
| 2 | Consumption current | Icc | ST | — | — | No signal | 17 | 25 | 33.0 | mA |
| 3 | Main output level | Vmain | ST | Pin39 | Pin17 Pin18 | Main 1kHz, 0dB, 75us, pre- emphasis ON | -5.0 | -4.0 | -3.0 | dBm |
| 4 | De-emphasis frequency response | FCdeem | ST | Pin39 | Pin17 Pin18 | Main 5kHz, -10dB, 75us, pre-emphasis ON | -1.0 | 0 | 1.0 | dB |
| 5 | Main LPF frequency response | FCmain | ST | Pin39 | Pin17 Pin18 | Main 12kHz, -20dB, 75us, pre-emphasis ON | -3.0 | -1.0 | 1.0 | dB |
| 6 | Main distortion ratio | THDm | ST | Pin39 | Pin17 Pin18 | Main 1kHz, 0dB, 75us, pre- emphasis ON 15k LPF used. | — | 0.1 | 0.5 | % |
| 7 | Main Max. output level | Vmmax | ST | Pin39 | Pin17 Pin18 | Main 1kHz, THD=3%, 75us, pre-emphasis ON | 2.0 | 9.0 | — | dBm |
| 8 | Main noise | Vnmain | ST | — | Pin17 Pin18 | No signal 15k LPF used | — | -73 | -65 | dBm |
| 9 | Sub output level | Vsub | — | Pin39 | Pin35 | Sub 1kHz 0dB | -10.5 | -9.0 | -5.5 | dBm |
| 10 | Sub LPF frequency response | FCsub | — | Pin39 | Pin35 | Sub 12kHz, -10dB | -3.0 | -0.4 | 1.0 | dB |
| 11 | Sub distortion ratio | THDsub | — | Pin39 | Pin35 | Sub 1kHz, 0dB, 15KLPF used | — | 0.1 | 1.0 | % |
| 12 | Sub Max. output level | Vsmax | — | Pin39 | Pin35 | Sub 1kHz, THD=3% | -2.0 | 6.0 | | dBm |
| 13 | Sub noise level | Vsubn | — | — | Pin35 | No signal 15KLPF used | — | -75 | -65 | dBm |
| 14 | Sub pilot cancel | PCsub | — | Pin39 | Pin35 | Pilot: fH (-24dBm) fH BPF used | — | -53 | -40 | dBm |
| 15 | Stereo ON level | THst | — | Pin39 | — | Varies Pilot input. Tests the level where LED lights up. Turns Pin9 (F MONO) to L or M. | -9.5 | -6.5 | -4.0 | dB |

SAP section

| No. | Item | Symbol | Condition | | | | Min. | Typ. | Max. | Unit |
|-----|-------------------------------|--------------------|-----------|-------|--------|---|-------|-------|------|------|
| | | | Mode | Input | Output | Others | | | | |
| 16 | SAP output level | V _{sap} | — | Pin39 | Pin6 | 1kHz 0dB | -10.5 | -9.4 | -7.5 | dBm |
| 17 | SAP frequency characteristics | FC _{sap} | — | Pin39 | Pin6 | 10kHz -10dB | -3.0 | -0.6 | 2.0 | dB |
| 18 | SAP distortion ratio | THD _{sap} | — | Pin39 | Pin6 | 1 kHz, 0 dB, 15KLPF used | — | 2.5 | 6.0 | % |
| 19 | SAP noise level | VN _{sap} | — | Pin39 | Pin6 | Input 5fH (-14.4dBm) 15KLPF used | — | -65 | -40 | dBm |
| 20 | SAP ON level | TH _{sap} | — | Pin39 | | Varies SAP carrier (no demodulation) input level. Tests level where Pin3 LED lights up. | -14.0 | -10.0 | -7.0 | dB |

dbx-TV section

Note) To test the dbx-TV timing current of other than pin34 input pilot to COMP IN (Pin39) and turn it to ST mode. Also, turn MAIN IN (Pin23) open.

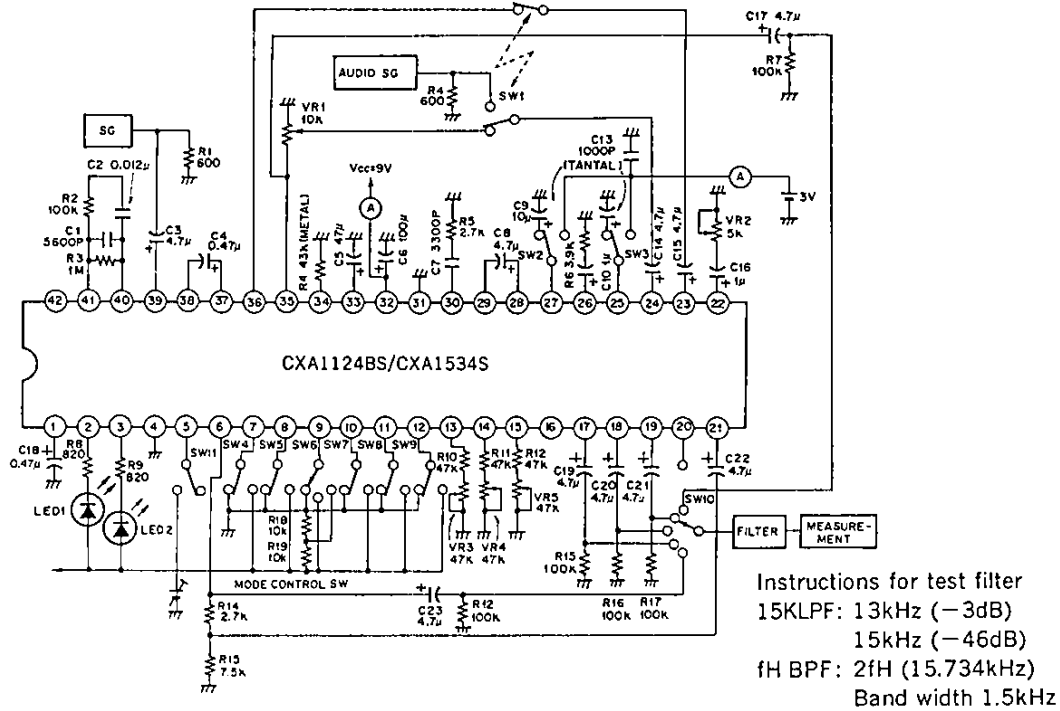
| No. | Item | Symbol | Condition | | | | Min. | Typ. | Max. | Unit |
|-----|--|-------------------|-----------|-------|----------------|---------------|-------|-------|-------|------|
| | | | Mode | Input | Output | Others | | | | |
| 21 | dbx-TV decode characteristics 300Hz, -5dB | V _{dc-1} | ST | Pin24 | Pin17 Pin18 | 300Hz, -17dBm | 1.5 | 3.0 | 4.5 | dBm |
| 22 | dbx-TV decode characteristics 300Hz, -15dB | V _{dc-2} | ST | Pin24 | Pin17 Pin18 | 300Hz, -27dBm | -18.5 | -17.0 | -15.5 | dBm |
| 23 | dbx-TV decode characteristics 300Hz, -30dB | V _{dc-3} | ST | Pin24 | Pin17 Pin18 | 300Hz, -42dBm | -48.5 | -47.0 | -45.5 | dBm |
| 24 | dbx-TV decode characteristics 1kHz, -0dB | V _{dc-4} | ST | Pin24 | Pin17 Pin18 | 1kHz, -12dBm | -2.7 | -0.7 | 1.3 | dBm |
| 25 | dbx-TV decode characteristics 1kHz, -10dB | V _{dc-5} | ST | Pin24 | Pin17 Pin18 | 1kHz, -22dBm | -23.4 | -21.4 | -19.4 | dBm |
| 26 | dbx-TV decode characteristics 1kHz, -20dB | V _{dc-6} | ST | Pin24 | Pin17 Pin18 | 1kHz, -32dBm | -43.6 | -41.6 | -39.6 | dBm |
| 27 | dbx-TV decode characteristics 8kHz, 0dB | V _{dc-7} | ST | Pin24 | Pin17 Pin18 | 8kHz, -12dBm | -8.3 | -5.8 | -3.3 | dBm |

| No. | Item | Symbol | Condition | | | | Min. | Typ. | Max. | Unit |
|-----|--|---------------------|-----------|-------|----------------|--|-------|-------|-------|------|
| | | | Mode | Input | Output | Others | | | | |
| 28 | dbx-TV decode characteristics 8kHz, -10dB | V _{dc-8} | ST | Pin24 | Pin17 Pin18 | 8kHz, -22dBm | -34.9 | -32.4 | -29.9 | dBm |
| 29 | dbx-TV decode characteristics 8kHz, -15dB | V _{dc-9} | ST | Pin24 | Pin17 Pin18 | 8kHz, -27dBm | -49.2 | -46.7 | -44.2 | dBm |
| 30 | dbx-TV distortion ratio | THD _{nr} | ST | Pin24 | Pin17 Pin18 | 1kHz, -15dBm | — | 0.3 | 0.8 | % |
| 31 | dbx-TV Max. output level 300Hz | V _{nrmaxL} | ST | Pin24 | Pin17 Pin18 | THD=3% | 2.0 | 9.0 | — | dBm |
| 32 | dbx-TV Max. output level 8kHz | V _{nrmaxH} | ST | Pin24 | Pin17 Pin18 | THD=3% | 2.0 | 8.0 | — | dBm |
| 33 | dbx-TV Noise level | V _{nnr} | ST | — | Pin17 Pin18 | 15k LPF used | — | -88 | -80 | dBm |
| 34 | dbx-TV Timing current | I _{time} | — | — | — | Applies 3V voltage to pins 25 and 27 and tests respective input currents | 7.1 | 7.5 | 7.9 | μA |

Mode Matrix Control Voltage section

| No. | Item | Symbol | Condition | | | | Min. | Typ. | Max. | Unit |
|-----|---------------------------|--------|-----------|-------|--------|---------------------------------------|-------------------------|------|-------------------------|------|
| | | | Mode | Input | Output | Others | | | | |
| 35 | Control voltage 1 H level | V-HC1 | — | — | — | Pin7. 8. 10. 12 | 2.0 | | V _{cc} | V |
| 36 | Control voltage 1 L level | V-LC1 | — | — | — | | GND | | 0.8 | V |
| 37 | Control voltage 2 H level | V-HC2 | — | — | — | Control voltage for pin9 (FMONO) only | V _{cc} -0.5 | — | V _{cc} | V |
| 38 | Control voltage 2 M level | V-MC2 | — | — | — | | 2.0 | — | V _{cc} -2.0 | V |
| 39 | Control voltage 2 L level | V-LC2 | — | — | — | | GND | — | 0.8 | V |

Electrical Characteristics Test Circuit



Adjustment Procedure

1. Adjustment of stereo and dbx filters
 Input 1.5fH (23.6kHz: -10dBm) sine wave to pin 39 (COMP IN) and monitor pin 36 (MAIN OUT). Adjust the variable resistor of pin 14 (I LPF) to reduce the output to a minimum.
2. Adjustmnt of SAP filter
 Input 6.2fH (97.55kHz: -14.4dBm) sine wave to pin 39 and monitor pin 42 (SAP BPF). Adjust the variable resistor of pin (I SAP) to reduce the output to a minimum.
3. VCO adjustment
 Adjust pin 15 (IVCO) volume so as to obtain an identical value whether Pin 40 (PC INT2) DC value has input pilot (fH=15.734kHz: -24dBm) or not.

Note) At this point, check to see that the ST. LED of pin 2 is ON.
 If the LED is OFF, turn up the variable resistor until the ST. LED lights up.

4. Adjustment of stereo separation
 - 1) Create the stereo mode (by causing the 1 pin (pin 7) to be H and the M2 pin (pin 8) to be L) and input Lch-only signal (30% modulation depth and 300Hz frequency) to pin 30. Then adjust the variable resistor of pin 35 (SUB OUT) to reduce the Rch output to a minimum.
 - 2) Then change only the frequency of the input signal to 3kHz and adjust the variable resistor of pin 22 (VE WGT) to reduce the Rch output to a minimum.
 - 3) Repeat Steps 1 and 2 described above until an optimum separation is achieved.
 The adjustment frequency is a combination of eitler 300Hz and 3kHz or 400Hz and 2kHz.

Mode Matrix No.1

*FSAP → GND (SAP discrimination Automatic select mode)

| Broadcast Mode | LED | | Pin | | | | Output | |
|----------------|-----|-----|-----|----|-------|--------|--------|------|
| | ST | SAP | M1 | M2 | FMONO | * FSAP | LOUT | ROUT |
| MONO | OFF | OFF | L | L | — | GND | L+R | L+R |
| | ↓ | ↓ | L | H | — | ↓ | L+R | L+R |
| | ↓ | ↓ | H | L | — | ↓ | L+R | L+R |
| | ↓ | ↓ | H | H | — | ↓ | MUTE | MUTE |
| MONO +SAP | OFF | ON | L | L | — | GND | L+R | SAP |
| | ↓ | ↓ | L | H | — | ↓ | SAP | SAP |
| | ↓ | ↓ | H | L | — | ↓ | L+R | L+R |
| | ↓ | ↓ | H | H | — | ↓ | MUTE | MUTE |
| STEREO | ON | OFF | L | L | L | GND | L | R |
| | ON | ↓ | L | L | M | ↓ | L+R | L+R |
| | OFF | ↓ | L | L | * H | ↓ | L+R | L+R |
| | ON | ↓ | L | H | L | ↓ | L | R |
| | ON | ↓ | L | H | M | ↓ | L+R | L+R |
| | OFF | ↓ | L | H | * H | ↓ | L+R | L+R |
| | ON | ↓ | H | L | L | ↓ | L | R |
| | ON | ↓ | H | L | M | ↓ | L+R | L+R |
| | OFF | ↓ | H | L | * H | ↓ | L+R | L+R |
| | ON | ↓ | H | H | L M | ↓ | MUTE | MUTE |
| | OFF | ↓ | H | H | * H | ↓ | MUTE | MUTE |
| STEREO +SAP | ON | ON | L | L | L | GND | L+R | SAP |
| | ON | ↓ | L | L | M | ↓ | L+R | SAP |
| | OFF | ↓ | L | L | * H | ↓ | L+R | SAP |
| | ON | ↓ | L | H | L | ↓ | SAP | SAP |
| | ON | ↓ | L | H | M | ↓ | SAP | SAP |
| | OFF | ↓ | L | H | * H | ↓ | SAP | SAP |
| | ON | ↓ | H | L | L | ↓ | L | R |
| | ON | ↓ | H | L | M | ↓ | L+R | L+R |
| | OFF | ↓ | H | L | * H | ↓ | L+R | L+R |
| | ON | ↓ | H | H | L M | ↓ | MUTE | MUTE |
| | OFF | ↓ | H | H | * H | ↓ | MUTE | MUTE |

* H: Vcc-0.5 to Vcc

Mode Matrix No.2

*FSAP → V_{cc} (SAP discrimination fixing mode)

| Broadcast Mode | LED | | Pin | | | | Output | |
|----------------|-----|-----|-----|-----|-------|-----------------|--------|------|
| | ST | SAP | M1 | M2 | FMONO | * FSAP | LOUT | ROUT |
| MONO | OFF | OFF | L | L | — | V _{cc} | L+R | MUTE |
| | ↓ | ↓ | L | H | — | ↓ | MUTE | MUTE |
| | ↓ | ↓ | H | L | — | ↓ | L+R | L+R |
| | ↓ | ↓ | H | H | — | ↓ | MUTE | MUTE |
| MONO +SAP | OFF | ON | L | L | — | V _{cc} | L+R | SAP |
| | ↓ | ↓ | L | H | — | ↓ | SAP | SAP |
| | ↓ | ↓ | H | L | — | ↓ | L+R | L+R |
| | ↓ | ↓ | H | H | — | ↓ | MUTE | MUTE |
| STEREO | ON | OFF | L | L | L | V _{cc} | L+R | MUTE |
| | ON | | L | L | M | | L+R | MUTE |
| | OFF | | L | L | * H | | L+R | MUTE |
| | ON | | L | H | L | | MUTE | MUTE |
| | ON | | L | H | M | | MUTE | MUTE |
| | OFF | | L | H | * H | | MUTE | MUTE |
| | ON | | H | L | L | | L | R |
| | ON | | H | L | M | | L+R | L+R |
| | OFF | | H | L | * H | | L+R | L+R |
| | ON | | H | H | L M | | MUTE | MUTE |
| STEREO +SAP | ON | ON | L | L | L | V _{cc} | L+R | SAP |
| | ON | | L | L | M | | L+R | SAP |
| | OFF | | L | L | * H | | L+R | SAP |
| | ON | | L | H | L | | SAP | SAP |
| | ON | | L | H | M | | SAP | SAP |
| | OFF | | L | H | * H | | SAP | SAP |
| | ON | | H | L | L | | L | R |
| | ON | | H | L | M | | L+R | L+R |
| | OFF | | H | L | * H | | L+R | L+R |
| | ON | | H | H | L M | | MUTE | MUTE |
| OFF | ↓ | H | H | * H | ↓ | MUTE | MUTE | |

* H: V_{cc} - 0.5 to V_{cc}

Mode Matrix No.3

*SMD, FMONO pin mode control function

SMD • FUNCTION

| Broadcast Mode | SAP LED | Pin | | Output |
|------------------------------|---------|-----|------|--------|
| | | SMD | FSAP | SOUT |
| • MONO • STEREO | OFF | L | Vcc | L+R |
| | | H | Vcc | * Ext |
| | | L | GND | L+R |
| | | H | GND | L+R |
| • MONO +SAP • STEREO +SAP | ON | L | Vcc | L+R |
| | | H | Vcc | * SAP |
| | | L | GND | L+R |
| | | H | GND | * SAP |

* SAP: When external dbx-TV (Option) is connected

* EXT: Signal input to pin16 (ESAP)

MUTE • FUNCTION

| Pin | Output |
|------|----------------|
| MUTE | LOUT ROUT SOUT |
| L | Mute OFF |
| H | Mute ON |

Description of Operation

The U. S. dbx system has the base band spectrum shown in Fig. 1.

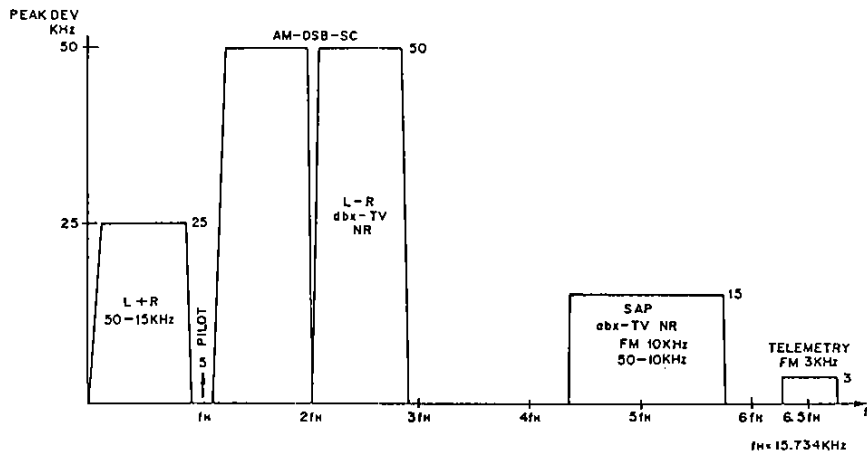


Fig. 1 Base band spectrum

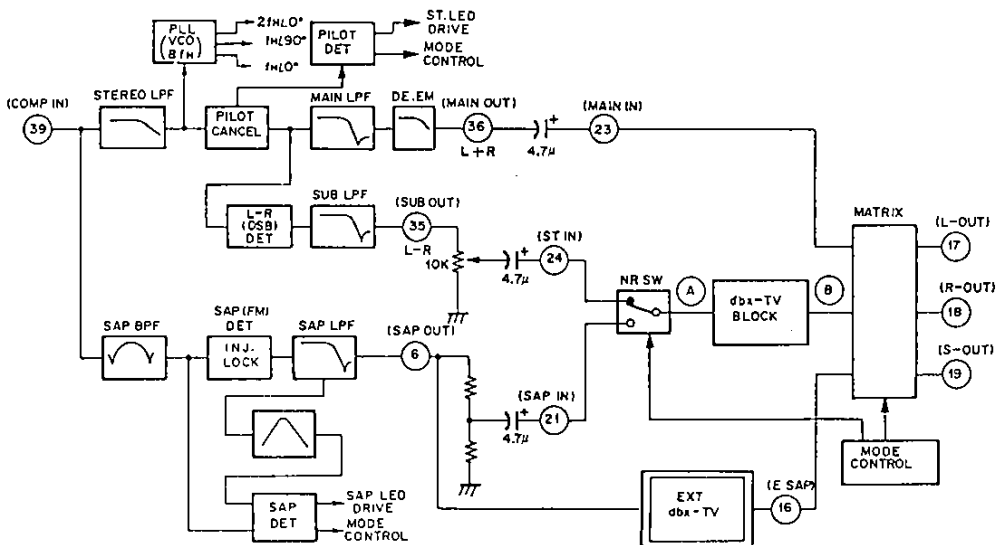


Fig. 2 Whole block diagram (See Fig. 3 for dbx-TV block)

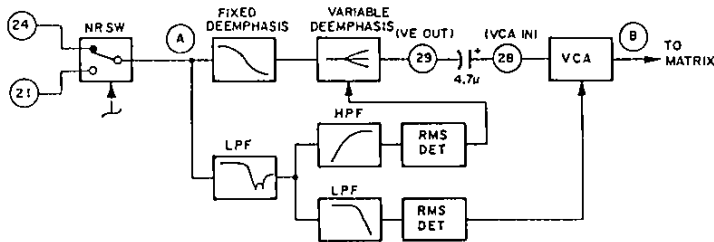


Fig. 3 dbx-TV block

1. L+R (MAIN)

The dbx signal is input from pin 39 (COMP IN) and led to the STEREO LPF which suppresses the SAP and telemetry signals. Then the pilot signal is canceled. In the last stage the L-R and SAP signals are removed by the MAIN LPF and the frequency response made flat by the de-emphasis before the L+R signal is input to the matrix.

2. L-R (SUB)

The L-R signal follows the same route as does the L+R signal before the pilot signal is canceled. The L-R signal has no carrier signal, as it is a suppressed-carrier double-sideband amplitude-modulated (DSB-AM) signal. For this reason, the pilot signal is used to regenerate the carrier signal (quasi-sine wave) to be used for demodulation of the L-R signal. In the last stage the residual high frequency components are removed by the SUB LPF before the L-R signal is input through the NRSW circuit to the dbx-TV block.

3. SAP

The SAP, as shown in Fig. 1, is an FM signal using 5fH as carrier. The SAP signal alone is first extracted, then FM components are detected. Finally, residual high-frequency components are removed by the SAP-LPF, the f characteristics are flattened, and the SAP signal is input through the NRSW circuit to the dbx-TV block. If there is no SAP signal, the output from Pin 6 is muted.

4. Mode discrimination

Stereo mode is identified by detecting the pilot signal amplitude. SAP mode is identified by detecting the 5fH carrier and noise around 20kHz after FM detection.

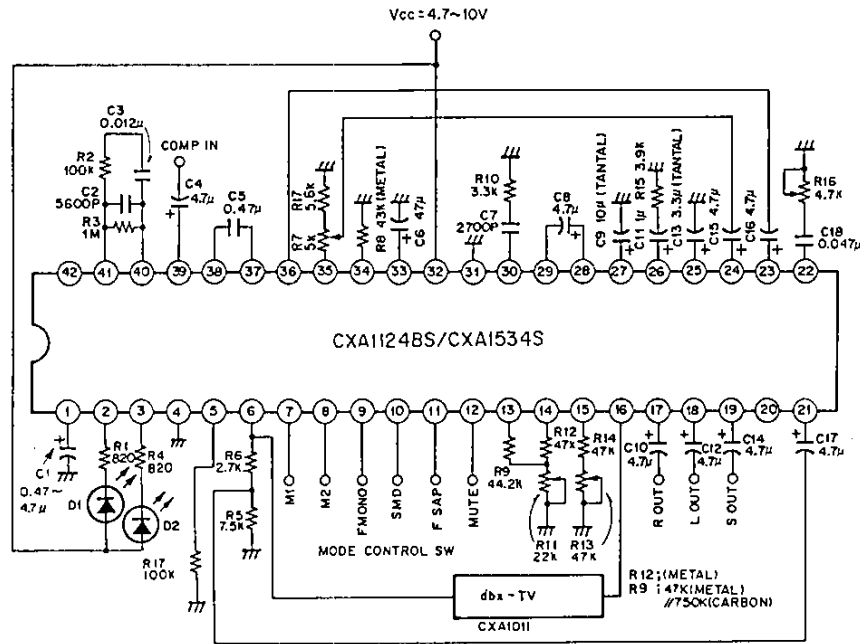
5. dbx-TV block

The SAP and L-R signals respectively input to pin 24 (ST IN) and pin 21 (SAP IN) are fed to the NRSW circuit where either one of them is selected by the mode control and is input to the dbx-TV block.

The input signal to the block is passed through the fixed de-emphasis circuit and is applied to the variable de-emphasis circuit. The output from the circuit is passed through an externally mounted capacitance and applied to the VCA (Voltage Controlled Amplifier). The output from VCA is converted from a current to a voltage by the operational amplifier before it is input to the matrix.

The transfer function of the variable de-emphasis circuit and the gain of the VCA are controlled by the respective RMS detector circuits. Each of the RMS detector circuits passes the input signal through a predetermined filter to properly weight it before detecting the rms value of the weighted signal to provide a control signal.

Application Circuit 1



Application circuits shown are typical examples illustrating the operation of the devices. Sony cannot assume responsibility for any problems arising out of the use of these circuits or for any infringement of third party patent and other right due to same.

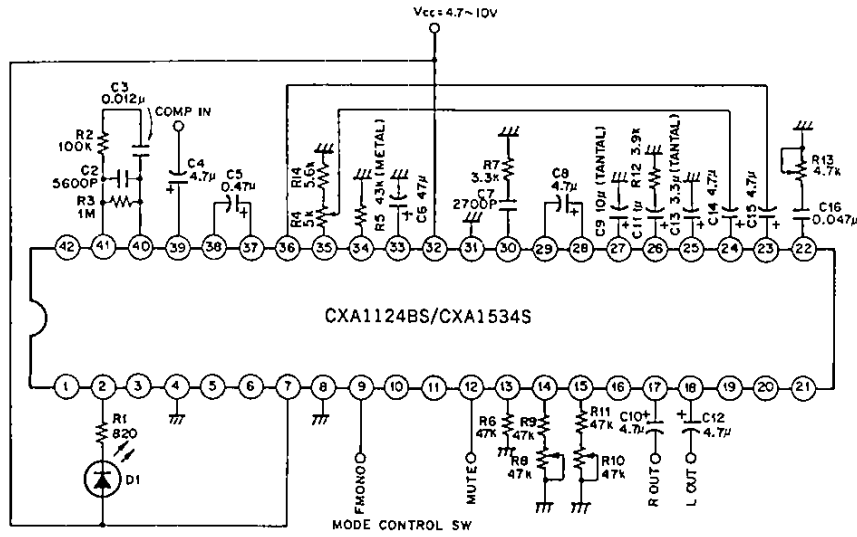
Precautions in usage of application circuit 1

- 1) Use Vcc at 4.7 to 10V. (recommended value: 9V)
- 2) Adjustment of stereo and SAP filters is executed simultaneously. Adjustment is performed through the stereo filter (Pin 14 (ILPF) volume). Here, to obtain the most suitable stereo separation, set the adjustment signal frequency to 22.9kHz.
- 3) dbx-TV connected between Pin6 (SAP OUT) and Pin 16 (E SAP) is an option.

Connect a dbx-TV system LSI (CXA1011 for example). Then SAP or L+R signal can be output from Pin 19 (S OUT).

- 4) Pin1 capacity value determines mute (or Stereo automatic select) speed when SAP carrier is OFF and SAP discriminating stability at a low intensity electric field. Shrinking the capacitance raises MUTE speed to minimize the switching noise. However discriminating stability is adversely affected. Inversely, when the capacitance is increased it improves stability whereas switching noise grows bigger.
- 5) Pin 5 is used for fine adjustment of the free-running frequency of the SAP Vcc. It is used under normal open conditions. If the DC offset at Pin 6 (SAP OUT) causes problems, with the SAP carrier either there or not, connect a resistor of about 100kΩ between Pin 6 and GND.
- 6) Use a nonpolarized capacitor for C5.
- 7) If a noise channel is received at Pin 6 (SAP OUT) noise of several tens of mVp-p will be output (because of soft mute).

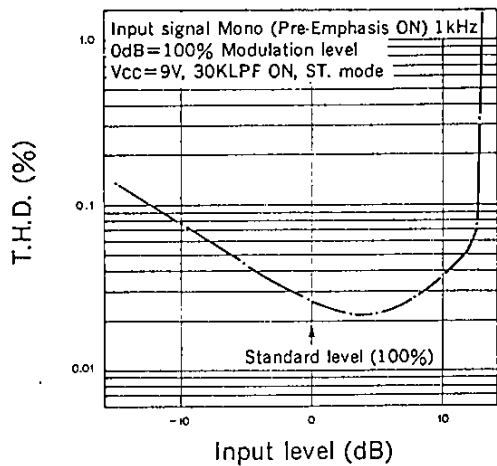
Application Circuit 2 (When SAP is not used)



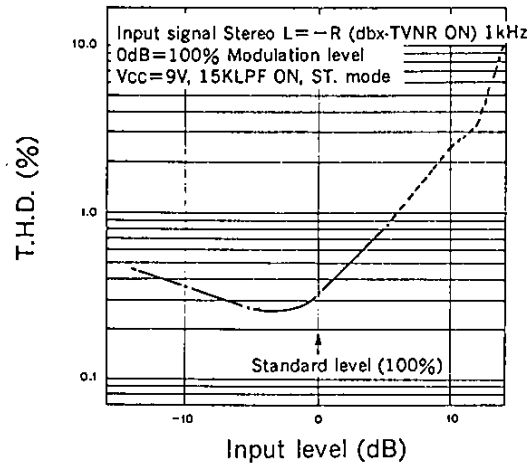
Use a nonpolarized capacitor for C5.

Application circuits shown are typical examples illustrating the operation of the devices. Sony cannot assume responsibility for any problems arising out of the use of these circuits or for any infringement of third party patent and other right due to same.

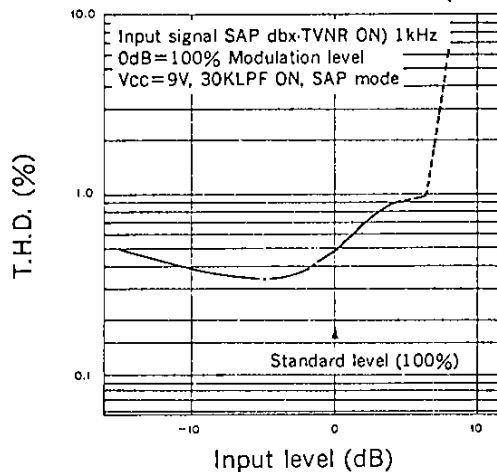
LINE OUT input vs
Distortion characteristics 1 (Mono)



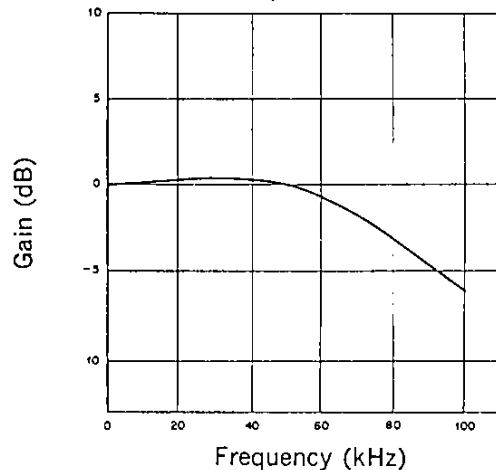
LINE OUT input vs
Distortion characteristics 2 (Stereo)



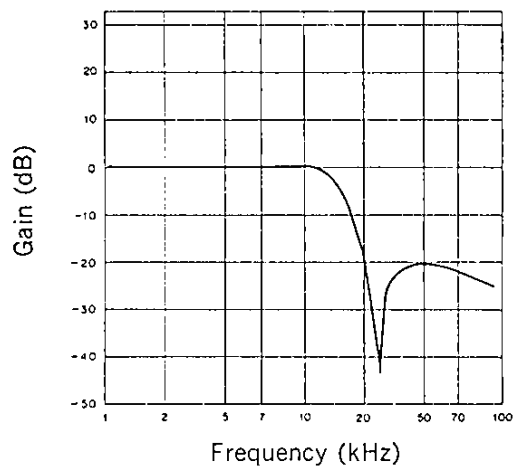
LINE OUT input vs
Distortion characteristics 3 (SAP)



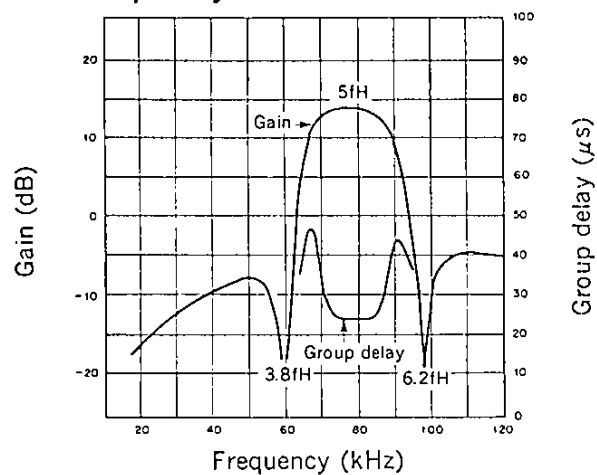
Stereo LPF Frequency characteristics



MainLPF
Sub LPF Frequency characteristics



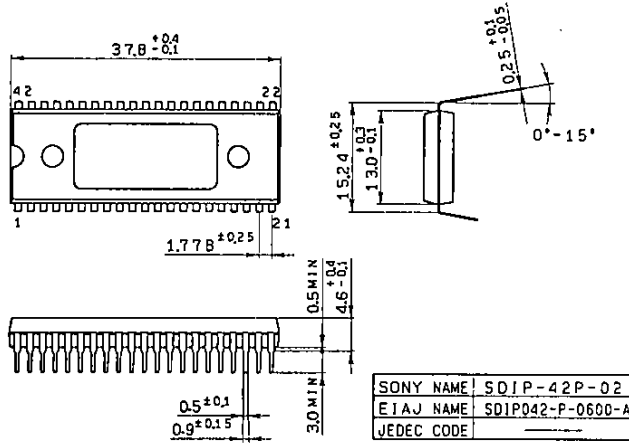
SAP Frequency characteristics and
Group delay



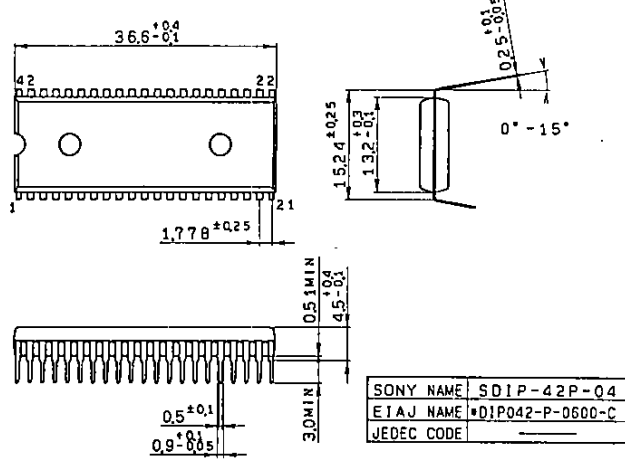
Package Outline Unit in mm

CXA1124BS/CXA1534S

42pin SDIP (Plastic) 600mil 4.4g



42pin SDIP (Plastic) 600mil



CXA1124BQ/CXA1534Q

48pin QFP (Plastic) 0.7g

