



Solid State Devices, Inc.

14701 Firestone Blvd * La Mirada, Ca 90638
 Phone: (562) 404-4474 * Fax: (562) 404-1773
 ssdi@ssdi-power.com * www.ssdi-power.com

SDAD103 UF Series

**2,500 to 15,000 VOLTS
 ULTRA FAST RECOVERY
 STACKABLE HIGH VOLTAGE RECTIFIER**

Designer's Data Sheet

Part Number/Ordering Information ^{1/}
 SDAD10 3

+ Screening ^{2/}
 ___ = Not Screened
 TX = TX Level
 TXV = TXV
 S = S Level

+ Reverse Recovery Time
 UF = Ultra Fast Recovery Time

+ Voltage 2.5 = 2.5kV, 5 = 5kV,
 7.5 = 7.5kV, 10 = 10kV, and 15 = 15kV

+ Power Rating (See Below)

+ Package Size = 3 Inches Diameter

- FEATURES:**
- Stackable to 160kV
 - PIV 2.5kV to 15kV
 - High Current Ratings
 - Ultra Fast Reverse Recovery Time
 - Only Hermetically Sealed Rectifiers Used
 - Controlled Avalanche Rated
 - Modular Design for Easy Stacking
 - Storage and Operating Temps -65 C to +150 C
 - Available in Fast and Hyper Fast Versions
 - TX, TXV, and S-Level Screening Available ^{2/}

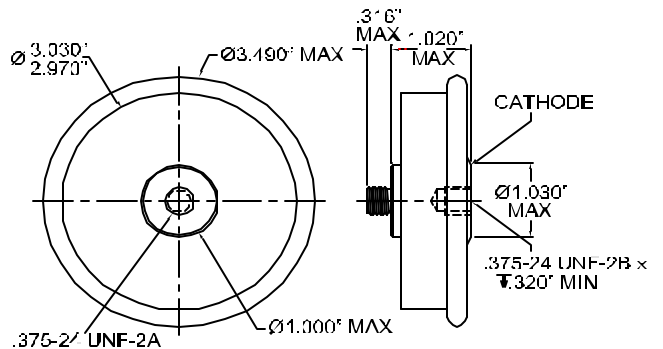
ELECTRICAL CHARACTERISTICS ^{3/}

Part Number	Peak Inverse Voltage	Reverse Recovery Time ^{5/}	Average DC Output Current ^{4/} Tc = Case Temperature			Surge Non-repetitive	Maximum Forward Voltage Drop		Maximum Leakage Current @PIV
	PIV (KV)	Max (ns)	If(avg)			Ifsm	Vf (V)	If (A)	Ir (uA)
	25 °C	25 °C	75 °C	50 °C	60 °C	100 °C	25 °C		25 °C
SDAD103 H 2.5 UF	2.5	70	9.00	14.4	11.2	200	3.90	7.20	30
SDAD103 H 5.0 UF	5.0	70	6.75	10.8	8.46	200	7.60	5.40	30
SDAD103 H 7.5 UF	7.5	70	4.50	7.20	5.58	200	10.10	3.60	20
SDAD103 H 10 UF	10	70	3.15	4.50	4.00	125	13.85	2.25	10
SDAD103 H 15 UF	15	70	2.14	3.00	2.65	125	19.2	1.44	10

SDAD103 Package:

NOTES:

- 1/ For Ordering Information, Price, Curves, and Availability- Contact Factory.
- 2/ Screened to MIL-PRF-19500.
- 3/ Unless Otherwise Specified, All Electrical Characteristics @25°C.
- 4/ Tc = 50 °C typical operation in oil.
 Tc = 75 °C is typical ambient Ta = 25 °C unheatsunk.
 Tc = 60 °C typical operation with extender plates in air.
- 5/ Recovery Conditions: I_F = 0.5 Amp, I_R = 1.0 Amp rec. to .25 Amp.



NOTE: All specifications are subject to change without notification. SCD's for these devices should be reviewed by SSDI prior to release.

DATA SHEET #: RA0084A

DOC