

STANDARD CAPACITANCE TVS ARRAY

APPLICATIONS

- ✓ Low Frequency I/O Ports
- ✓ RS-232 & RS-423 Data Lines
- ✓ Power Bus Lines
- ✓ Monitoring & Industrial Signal and Data Ports
- ✓ Microprocessor Based Equipment

IEC COMPATIBILITY (EN61000-4)

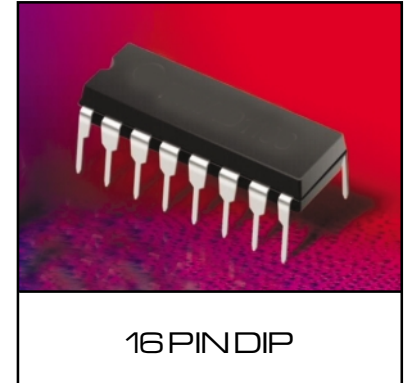
- ✓ 61000-4-2 (ESD): Air - 15kV, Contact - 8kV
- ✓ 61000-4-4 (EFT): 40A - 5/50ns
- ✓ 61000-4-5 (Surge): 24A, 8/20µs Level 2 (Line-Ground) & Level 3 (Line-Line)

FEATURES

- ✓ 800 Watts Peak Pulse Power per Line (tp=8/20µs)
- ✓ Unidirectional & Bidirectional Configuration
- ✓ ESD Protection > 40 kilovolts
- ✓ Available in 5V, 12V, 15V & 24V
- ✓ Standard Dual-In-Line Package
- ✓ Protects 8 to 12 Lines

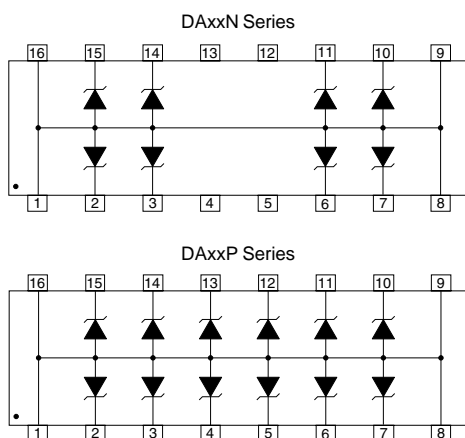
MECHANICAL CHARACTERISTICS

- ✓ Molded 16 Pin Dual-In-Line (DIP) Package
- ✓ Weight 1.2 grams (Approximate)
- ✓ Flammability rating UL 94V-0
- ✓ Packaging: 25 Pieces Per Tube
- ✓ Marking: Logo, Part Number, Date Code & Pin One Defined By Dot on Top of Package

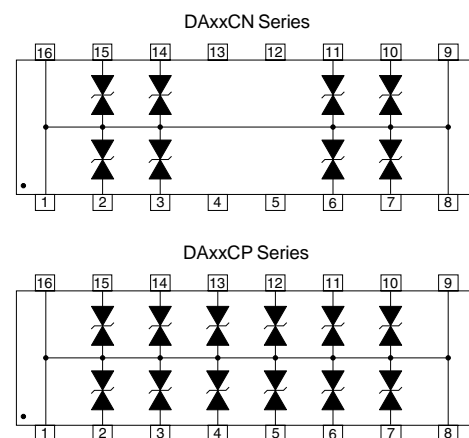


PIN CONFIGURATIONS

UNIDIRECTIONAL



BIDIRECTIONAL



DEVICE CHARACTERISTICS

MAXIMUM RATINGS @ 25°C Unless Otherwise Specified			
PARAMETER	SYMBOL	VALUE	UNITS
Peak Pulse Power ($t_p = 8/20\mu s$) - See Figure 1	P_{PP}	800	Watts
Operating Temperature	T_J	-55°C to 150°C	°C
Storage Temperature	T_{STG}	-55°C to 150°C	°C
Forward Surge Rating (See Note 1)	I_F	10	Amps

ELECTRICAL CHARACTERISTICS PER LINE @ 25°C Unless Otherwise Specified						
PART NUMBER (See Note 1)	RATED STAND-OFF VOLTAGE V_{WM} VOLTS	MINIMUM BREAKDOWN VOLTAGE @ 1mA $V_{(BR)}$ VOLTS	MAXIMUM CLAMPING VOLTAGE (See Fig. 2) @ $I_P = 10A$ V_C VOLTS	MAXIMUM CLAMPING VOLTAGE (See Fig. 2) @ 8/20 μs $V_C @ I_{PP}$	MAXIMUM LEAKAGE CURRENT @ V_{WM} I_D μA	TYPICAL CAPACITANCE @ 0V, 1 MHz C_J pF
DA05N	5.0	6.0	12.5	24.6V @ 45A	200	880
DA12N	12.0	13.3	26.0	32.9V @ 34A	2	440
DA15N	15.0	16.7	33.0	37.7V @ 27A	2	400
DA24N	24.0	26.7	52.1	48.5V @ 22A	2	275
DA05P	5.0	6.0	12.5	24.6V @ 45A	200	880
DA12P	12.0	13.3	26.0	32.9V @ 34A	2	440
DA15P	15.0	16.7	33.0	37.7V @ 27A	2	400
DA24P	24.0	26.7	52.1	48.5V @ 22A	2	275
DA05CN	5.0	6.0	12.5	24.6V @ 45A	200	500
DA12CN	12.0	13.3	26.0	32.9V @ 34A	2	385
DA15CN	15.0	16.7	33.0	37.7V @ 27A	2	300
DA24CN	24.0	26.7	52.1	48.5V @ 22A	2	200
DA05CP	5.0	6.0	12.5	24.6V @ 45A	200	500
DA12CP	12.0	13.3	26.0	32.9V @ 34A	2	385
DA15CP	15.0	16.7	33.0	37.7V @ 27A	2	300
DA24CP	24.0	26.7	52.1	48.5V @ 22A	2	200

Note 1: The "C" suffix specifies a bidirectional device, such as DA05CN or DA12CP.

GRAPHS

FIGURE 1
PEAK PULSE POWER VS PULSE TIME

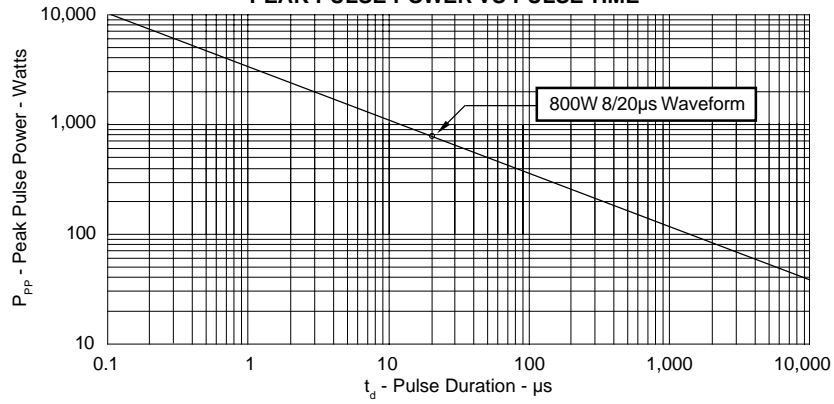


FIGURE 2
PULSE WAVE FORM

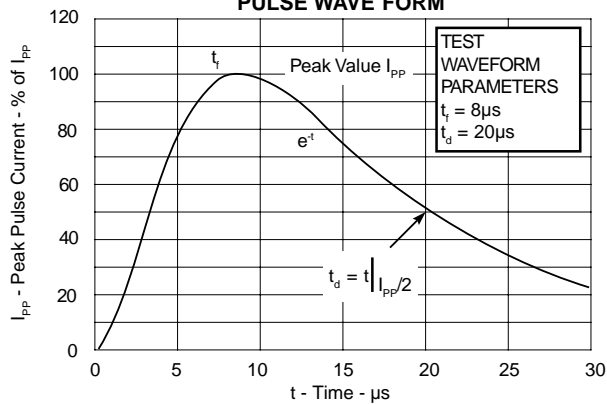
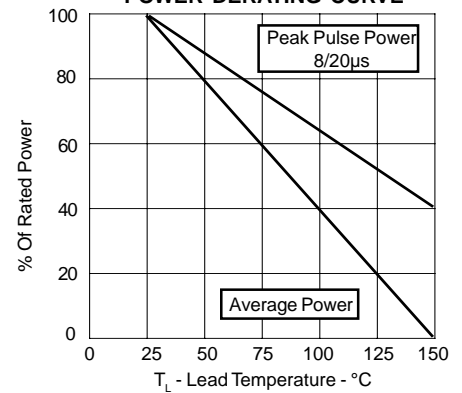
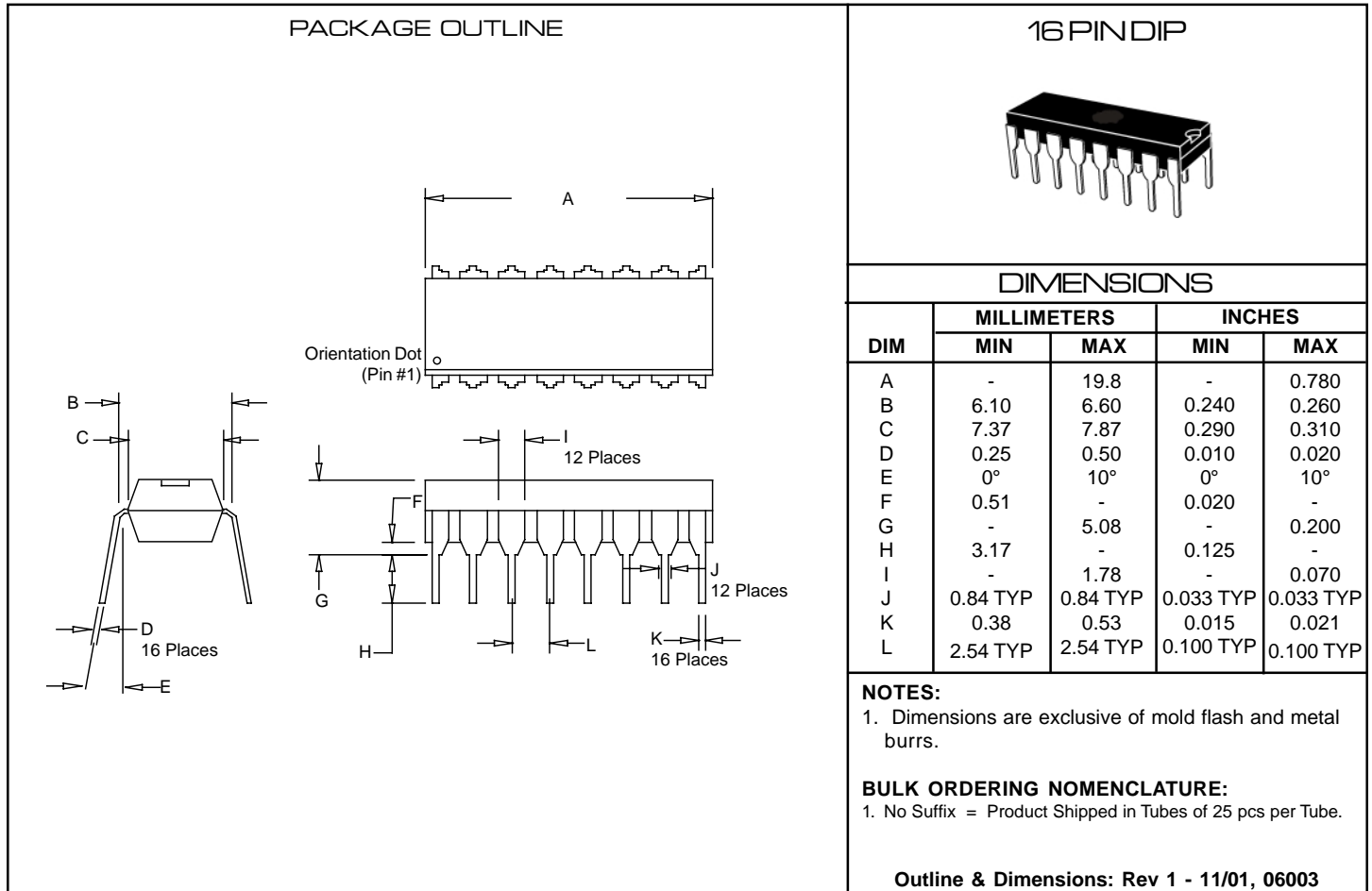


FIGURE 3
POWER DERATING CURVE



PACKAGE OUTLINE & DIMENSIONS



COPYRIGHT © ProTek Devices 2005

SPECIFICATIONS: ProTek reserves the right to change the electrical and or mechanical characteristics described herein without notice (except JEDEC).

DESIGN CHANGES: ProTek reserves the right to discontinue product lines without notice, and that the final judgement concerning selection and specifications is the buyer's and that in furnishing engineering and technical assistance, ProTek assumes no responsibility with respect to the selection or specifications of such products.

ProTek Devices

2929 South Fair Lane, Tempe, AZ 85282

Tel: 602-431-8101 Fax: 602-431-2288

E-Mail: sales@protekdevices.com

Web Site: www.protekdevices.com