

## General Purpose EMI Reduction IC

### Features

- FCC approved method of EMI attenuation.
- Provides up to 15dB of EMI suppression.
- Generates a 1X or 1/2 X low EMI spread spectrum clock of the input frequency.
- Input frequency range: 4MHz to 32MHz.
- Internal loop filter minimizes external components and board space.
- Spreading ranges from  $\pm 0.8\%$  to  $\pm 3.2\%$ .
- SSON# control pin for spread spectrum enable and disable options.
- Low Cycle-to-Cycle jitter.
- 3.3V Operating Voltage.
- Ultra-low power CMOS design.
- Available in 8-pin SOIC and TSSOP Packages.

### Product Description

The P2008A is a versatile spread spectrum frequency modulator designed specifically for digital camera and other digital video and imaging applications. The P2008A reduces electromagnetic interference (EMI) at the clock source, allowing system wide reduction of EMI of down stream clock and data dependent signals. The P2008A allows significant system cost savings by reducing the

number of circuit board layers ferrite beads, shielding and other passive components that are traditionally required to pass EMI regulations.

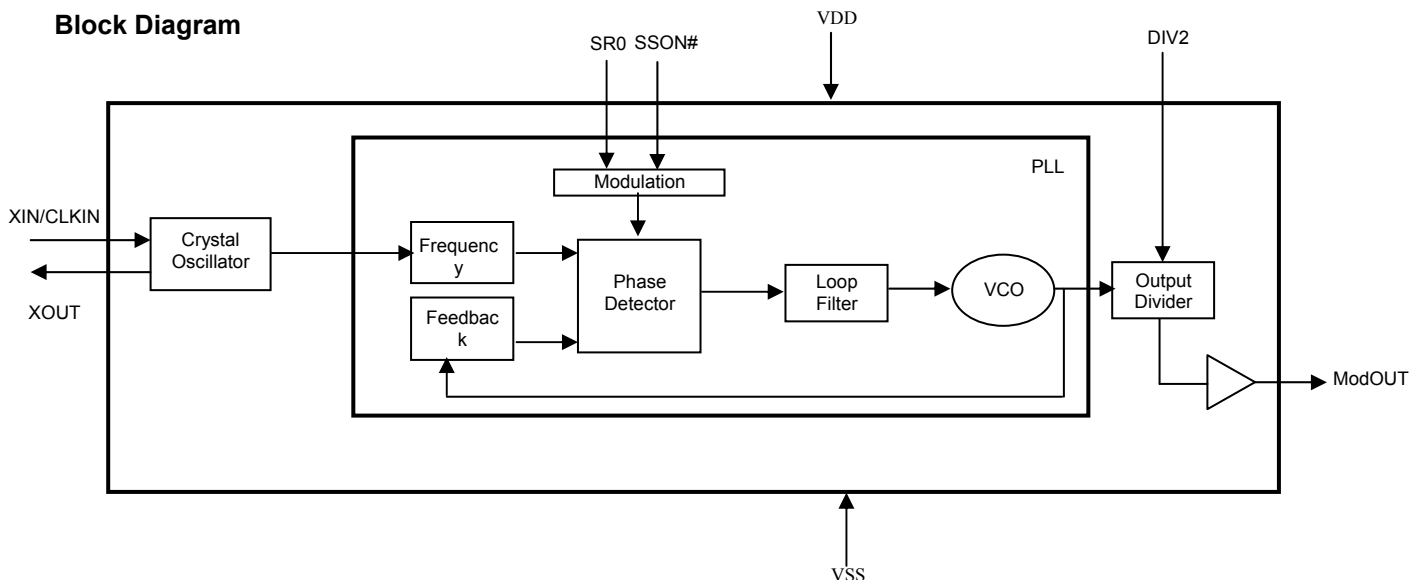
The P2008A uses the most efficient and optimized modulation profile approved by the FCC and is implemented in a proprietary all digital method.

The P2008A modulates the output of a single PLL in order to “spread” the bandwidth of a synthesized clock, and more importantly, decreases the peak amplitudes of its harmonics. This results in significantly lower system EMI compared to the typical narrow band signal produced by oscillators and most frequency generators. Lowering EMI by increasing a signal’s bandwidth is called ‘spread spectrum clock generation’.

### Applications

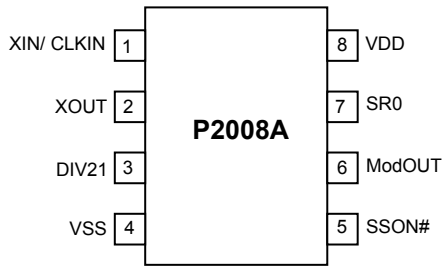
The P2008A is targeted towards cable, xDSL, fax modem, set-top box, USB controller, DSC, and other embedded systems.

### Block Diagram



rev 1.4

Pin Configuration



Pin Description

Pin#	Pin Name	Type	Description
1	XIN/CLKIN	I	Crystal connection or external reference frequency input. This pin has dual functions. It can be connected either to an external crystal or an external reference clock.
2	XOUT	O	Crystal connection. If using an external reference, this pin must be left unconnected.
3	DIV2	I	Digital logic input used to select normal output mode or divide-by-two output mode. When this pin is HIGH, the frequency of the output clock is the same as the input clock frequency. When it is tied low, the output frequency is half the input clock frequency. This pin has an internal pull-up resistor.
4	VSS	P	Ground to entire chip. Connect to system ground.
5	SSON#	I	Digital logic input used to enable Spread Spectrum function (Active LOW). Spread Spectrum function enabled when LOW, disabled when HIGH. This pin has an internal pull-low resistor.
6	ModOUT	O	Spread spectrum clock output.
7	SR0	I	Digital logic input used to select Spreading Range ( <i>Refer Modulation Output and Spreading Range Selection Table.</i> ) This pin has an internal pull-up resistor.
8	VDD	P	Power supply for the entire chip

Modulation Output and Spreading Selection (ModOUT = XIN/CLKIN)

SR0	Output Frequency Range DIV2 = 1							Modulation Rate
	8MHz	12MHz	16MHz	20MHz	24MHz	28MHz	32MHz	
0	± 2.2%	± 1.8%	± 1.2%	± 1.1%	± 1.0%	± 0.9%	± 0.8%	(XIN/CLKIN/20) * 62.5 KHz
1	± 3.2%	± 2.5%	± 2.0%	± 1.6%	± 1.4%	± 1.25%	± 0.15%	

Modulation Output and Spreading Selection (ModOUT = 1/2 XIN/CLKIN)

SR0	Output Frequency Range DIV2 = 0							Modulation Rate
	4MHz	6MHz	8MHz	10MHz	12MHz	14MHz	16MHz	
0	± 2.0%	± 1.8%	± 1.2%	± 1.1%	± 1.0%	± 0.9%	± 0.8%	(XIN/CLKIN/20) * 62.5 KHz
1	± 3.2%	± 2.6%	± 2.0%	± 1.6%	± 1.4%	± 1.25%	± 0.15%	

Downloaded from [Elcodis.com](http://Elcodis.com) electronic components distributor. The information in this document is subject to change without notice.

### Spread Spectrum

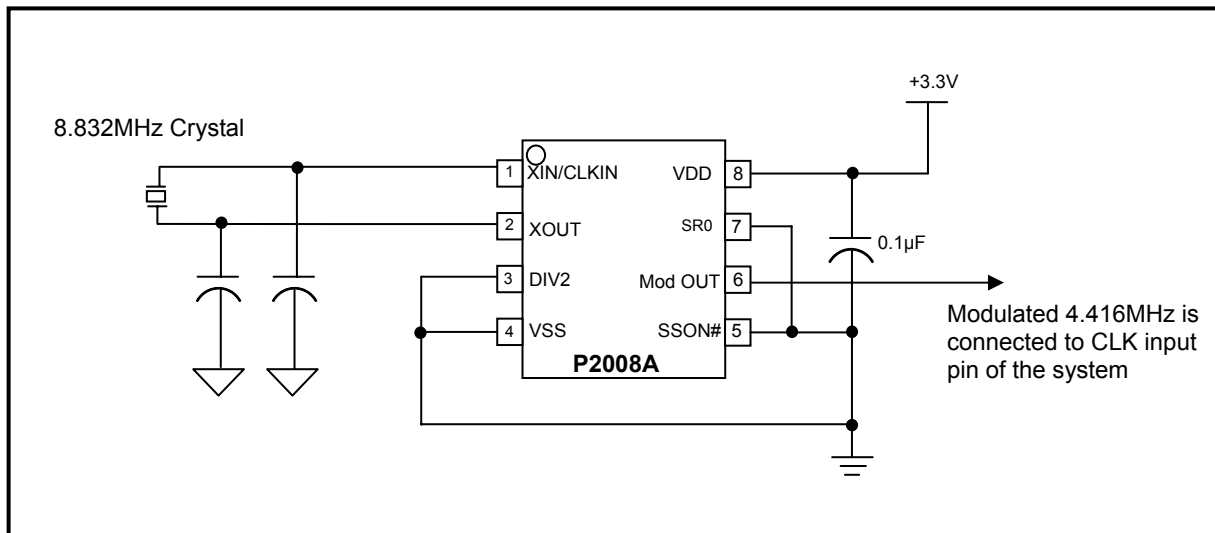
The *Modulation Output and Spreading Selection Tables* illustrate the two possible spread spectrum options. The optimal setting should minimize system EMI to the fullest without affecting system performance. The spreading is described as a percentage deviation of the center frequency (Note: The center frequency is the frequency of the external reference input on XIN/CLKIN, Pin1).

**Example:**

The P2008A is designed for communications, digital video and imaging applications. It is not only optimized for operation in the 4MHz – 32MHz range, but its output frequency can be extended down to one half of the input clock frequency using the divide-by-two feature. This feature extends low frequency as low as to 2MHz. Setting Pin 3 low (DIV2 = 0; Divide-by-two mode) sets the output frequency (ModOUT) to half the frequency of the input clock (XIN/CLKIN). This is a simple way to generate a spread spectrum modulated low frequency clock when only a higher frequency signal is available. If you want the output frequency to be the same as the input, you can either set DIV2=1 or leave it unconnected.

Selecting the P2008A's spread options is a matter of either setting SR0=1 or SR0=0. Setting SR0=0 set as a lower modulation spread, while setting it to 1 introduces a wider spectral spread in the output clock. *Refer Modulation output and Spreading Selections Tables.* The example given in the figure below shows the device set to the divide-by-two mode (DIV2=0) with a lower spectrum range (SR0=0). The versatility provided by allowing both clock division and spread spectrum on one chip is already proving to be a popular solution among leading system manufacturers.

### P2008A Application Schematic



rev 1.4

### Absolute Maximum Ratings

Symbol	Parameter	Rating	Unit
VDD, V <sub>IN</sub>	Voltage on any pin with respect to Ground	-0.5 to +4.6	V
T <sub>STG</sub>	Storage temperature	-65 to +125	°C
T <sub>A</sub>	Operating temperature	0 to +70	°C
T <sub>s</sub>	Max. Soldering Temperature (10 sec)	260	°C
T <sub>J</sub>	Junction Temperature	150	°C
T <sub>DV</sub>	Static Discharge Voltage (As per JEDEC STD22- A114-B)	2	KV

Note: These are stress ratings only and are not implied for functional use. Exposure to absolute maximum ratings for prolonged periods of time may affect device reliability.

### DC Electrical Characteristics

Symbol	Parameter	Min	Typ	Max	Unit
V <sub>IL</sub>	Input low voltage	VSS – 0.3	-	0.8	V
V <sub>IH</sub>	Input high voltage	2.0	-	VDD + 0.3	V
I <sub>IL</sub>	Input low current (pull-up resistors on inputs SR0 and DIV2)	-	-	-35	μA
I <sub>IH</sub>	Input high current (pull-down resistor on input SSON#)	-	-	35	μA
I <sub>XOL</sub>	XOUT Output Low Current (@ 0.4V, VDD = 3.3V)	-	3	-	mA
I <sub>XOH</sub>	XOUT Output High Current (@ 2.5V, VDD = 3.3V)	-	3	-	mA
V <sub>OL</sub>	Output low voltage (VDD = 3.3V, I <sub>OL</sub> = 10mA)	-	-	0.4	V
V <sub>OH</sub>	Output high voltage (VDD = 3.3V, I <sub>OH</sub> = 10mA)	2.5	-	-	V
I <sub>CC</sub>	Dynamic supply current normal mode (3.3V, and 15pF loading)	6.0	7.0	8.3	mA
I <sub>DD</sub>	Static supply current standby mode	-	0.6	-	mA
VDD	Operating voltage	3.0	3.3	3.6	V
t <sub>ON</sub>	Power up time (first locked clock cycle after power up)	-	0.18	-	mS
Z <sub>OUT</sub>	Clock output impedance	-	50	-	Ω

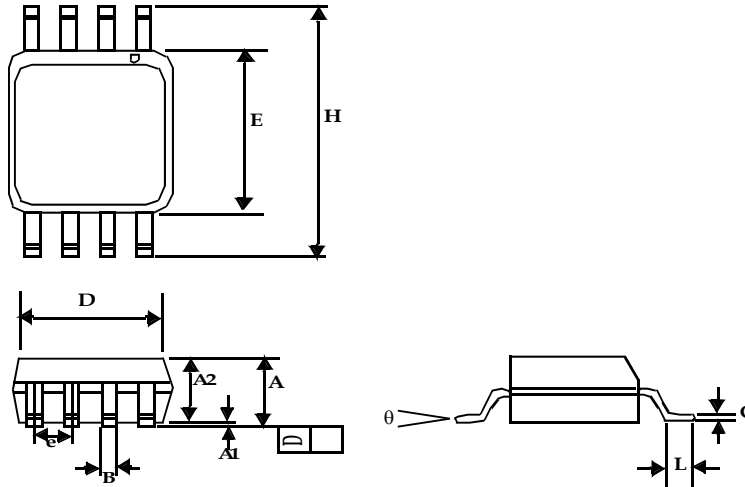
### AC Electrical Characteristics

Symbol	Parameter	Min	Typ	Max	Unit
f <sub>IN</sub>	Input frequency	4	20	32	MHz
f <sub>OUT</sub>	Output frequency	DIV2 = 0	10	16	MHz
		DIV2 = 1	4	20	
t <sub>LH</sub> *	Output rise time (measured at 0.8V to 2.0V)	0.7	0.9	1.1	nS
t <sub>HL</sub> *	Output fall time (measured at 2.0V to 0.8V)	0.6	0.8	1.0	nS
t <sub>JC</sub>	Jitter (cycle to cycle)	-	-	360	pS
t <sub>D</sub>	Output duty cycle	45	50	55	%

\*t<sub>LH</sub> and t<sub>HL</sub> are measured into a capacitive load of 15pF

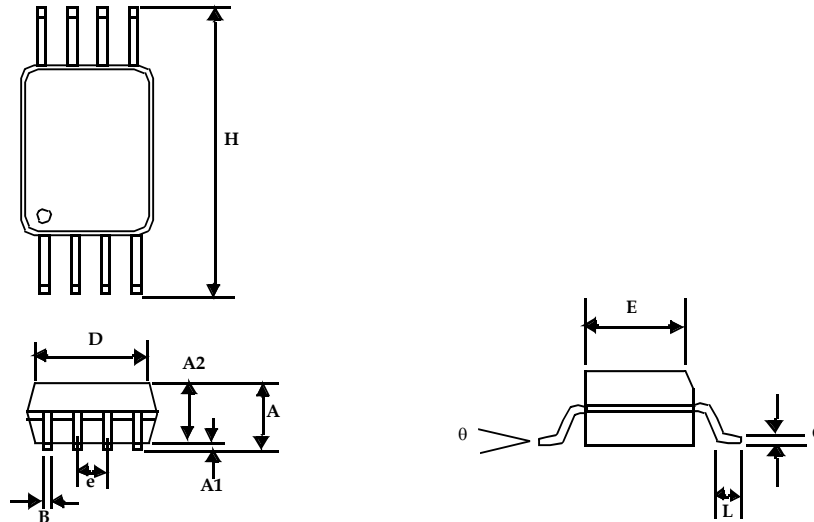
Package Information

8-Pin SOIC Package



Symbol	Dimensions			
	Inches		Millimeters	
	Min	Max	Min	Max
A1	0.004	0.010	0.10	0.25
A	0.053	0.069	1.35	1.75
A2	0.049	0.059	1.25	1.50
B	0.012	0.020	0.31	0.51
C	0.007	0.010	0.18	0.25
D	0.193 BSC		4.90 BSC	
E	0.154 BSC		3.91 BSC	
e	0.050 BSC		1.27 BSC	
H	0.236 BSC		6.00 BSC	
L	0.016	0.050	0.41	1.27
θ	0°	8°	0°	8°

8-Pin TSSOP Package

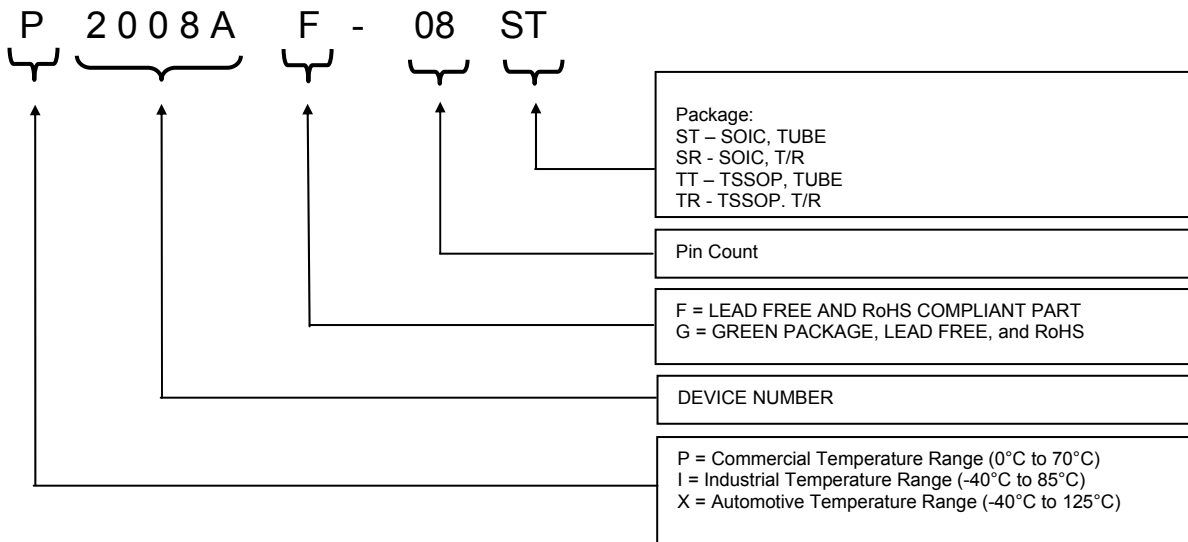


Symbol	Dimensions			
	Inches		Millimeters	
	Min	Max	Min	Max
A		0.043		1.10
A1	0.002	0.006	0.05	0.15
A2	0.033	0.037	0.85	0.95
B	0.008	0.012	0.19	0.30
c	0.004	0.008	0.09	0.20
D	0.114	0.122	2.90	3.10
E	0.169	0.177	4.30	4.50
e	0.026 BSC		0.65 BSC	
H	0.252 BSC		6.40 BSC	
L	0.020	0.028	0.50	0.70
θ	0°	8°	0°	8°

**Ordering Codes**

Part Number	Marking	Package type	Temperature
P2008AF-08ST	P2008AF	8 PIN SOIC, TUBE, Pb Free	Commercial
P2008AF-08SR	P2008AF	8-PIN SOIC, TAPE AND REEL, Pb Free	Commercial
P2008AF-08TT	P2008AF	8-PIN TSSOP, TUBE, Pb Free	Commercial
P2008AF-08TR	P2008AF	8-PIN TSSOP, TAPE AND REEL, Pb Free	Commercial
P2008AG-08ST	P2008AG	8 PIN SOIC, TUBE, Green	Commercial
P2008AG-08SR	P2008AG	8-PIN SOIC, TAPE AND REEL, Green	Commercial
P2008AG-08TT	P2008AG	8-PIN TSSOP, TUBE, Green	Commercial
P2008AG-08TR	P2008AG	8-PIN TSSOP, TAPE AND REEL, Green	Commercial

**Device Ordering Information**



Licensed under U.S Patent Nos 5,488,627 and 5,631,921



PulseCore Semiconductor Corporation  
1715 S. Bascom Ave Suite 200  
Campbell, CA 95008  
Tel: 408-879-9077  
Fax: 408-879-9018  
www.pulsecoresemi.com

Copyright © PulseCore Semiconductor  
All Rights Reserved  
Part Number: P2008A  
Document Version: v1.4

Note: This product utilizes US Patent # 6,646,463 Impedance Emulator Patent issued to PulseCore Semiconductor, dated 11-11-2003

© Copyright 2006 PulseCore Semiconductor Corporation. All rights reserved. Our logo and name are trademarks or registered trademarks of PulseCore Semiconductor. All other brand and product names may be the trademarks of their respective companies. PulseCore reserves the right to make changes to this document and its products at any time without notice. PulseCore assumes no responsibility for any errors that may appear in this document. The data contained herein represents PulseCore's best data and/or estimates at the time of issuance. PulseCore reserves the right to change or correct this data at any time, without notice. If the product described herein is under development, significant changes to these specifications are possible. The information in this product data sheet is intended to be general descriptive information for potential customers and users, and is not intended to operate as, or provide, any guarantee or warranty to any user or customer. PulseCore does not assume any responsibility or liability arising out of the application or use of any product described herein, and disclaims any express or implied warranties related to the sale and/or use of PulseCore products including liability or warranties related to fitness for a particular purpose, merchantability, or infringement of any intellectual property rights, except as express agreed to in PulseCore's Terms and Conditions of Sale (which are available from PulseCore). All sales of PulseCore products are made exclusively according to PulseCore's Terms and Conditions of Sale. The purchase of products from PulseCore does not convey a license under any patent rights, copyrights; mask works rights, trademarks, or any other intellectual property rights of PulseCore or third parties. PulseCore does not authorize its products for use as critical components in life-supporting systems where a malfunction or failure may reasonably be expected to result in significant injury to the user, and the inclusion of PulseCore products in such life-supporting systems implies that the manufacturer assumes all risk of such use and agrees to indemnify PulseCore against all claims arising from such use.