

**6 CHANNELS ADJUSTABLE
CONSTANT CURRENT LED DRIVER**
DESCRIPTION

A701/2 are adjustable constant current drivers for LED applications. Six regulated current ports are designed to provide uniform and pure DC constant current sinks for driving LEDs within a large range VF variation.

A701/2 provide users 6-channel constant current ports to match LEDs with equal current. Users may program the output current from 5mA to 40mA through an external resistor, R_{SET} , which gives user flexibility in controlling the light intensity of LEDs.

Two kinds of control logic, active high and active low, for Output Enable pin (OE/OE pin) are provided for user's various applications. It could precisely adjust LED brightness from 0% to 100% via OE/OE pin with Pulse Width Modulation signal.

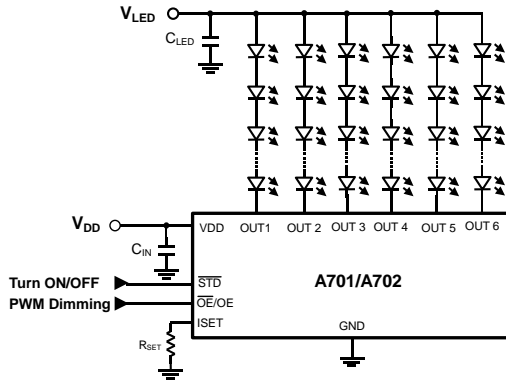
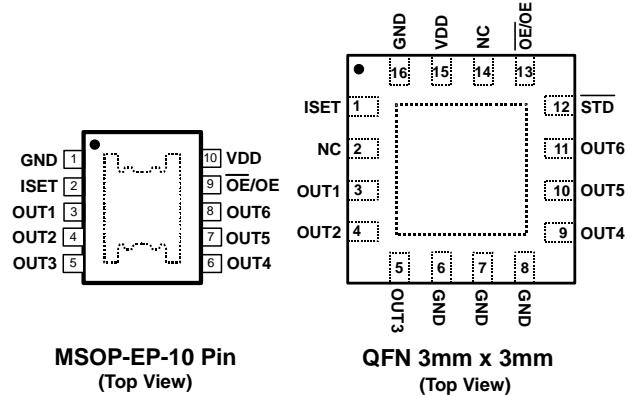
The thermal protection function protects IC from over temperature (150°C) damage. Also, the thermal pad enhances the package power dissipation.

FEATURES

- 6 constant-current output channels
- Output current deviations: $\pm 3\%$ between channels, $\pm 7\%$ between ICs.
- Output current programmable through external resistor.
- Constant output current range: 5mA~40mA
- Wide supply voltage range: 6V~50V (A702)
- 75V output sustaining voltage
- 1uA Shut-down current
- 2 kinds of control logic for Output Enable pin

APPLICATIONS

- Automotive Interior Lighting
- Channel Letter, Indoor Lighting
- LED Backlight Driver for MP3, MP4, Mobile Phone, Portable DVD, NB, and LCD TV.

TYPICAL APPLICATION CIRCUIT

PACKAGE PIN OUT

ORDER INFORMATION

V _{DD} Range	OE/OE Pin Logic	MSOP-EP		QFN 3x3	
		G	10 pin	J	16 pin
2.9V~ 6V	Low Enable		A701GFT		A701JGT
6V~ 50V	High Enable		A702GFT-HE		A702JGT-HE
	Low Enable		A702GFT		A702JGT

Note:

Part Number: A 7 0 1 □ □ □

A 7 0 2 □ □ □ - HE

Package Type. G: MSOP-EP; J: QFN-3x3

Package Process. F: Lead Free; G: Green

HE: High Enable

EN Pin Logic. HE: High Enable

Packing. T: Tape & Reel