
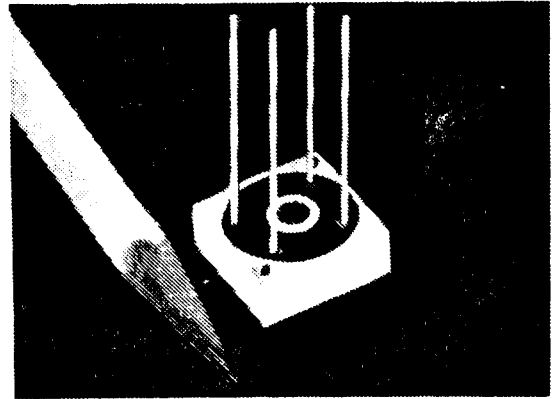


5 amp bridge rectifier assembly

X00170

SDA 138

- UNDERWRITERS LABORATORY RECOGNIZED 
- AVERAGE OUTPUT CURRENT 5 AMPS
- PIV 50 TO 1000 VOLTS
- MAX THERMAL RESISTANCE 5° C/WATT
- ALL WELDED INTERCONNECTS
- HERMETICALLY SEALED DIODE CELLS
- UNIVERSAL 2 MOUNTING POSITION CASE
- ALL MACHINED ALUMINUM CASE



SSDI introduces a new and complete line of Single Phase, Rectifier Bridge Assemblies. Designed in machined aluminum cases to provide maximum thermal conductivity and simple installation. A unique 2 mounting position case provides the designer a choice of mounting the device using the screw hole or plugging the device into a circuit board type application. This series features SSDI's exclusive glass passivated rectifier cells and welded interconnects for high reliability and mechanical strength. Fast recovery bridges are available on special order. Consult your factory representative for engineering assistance.

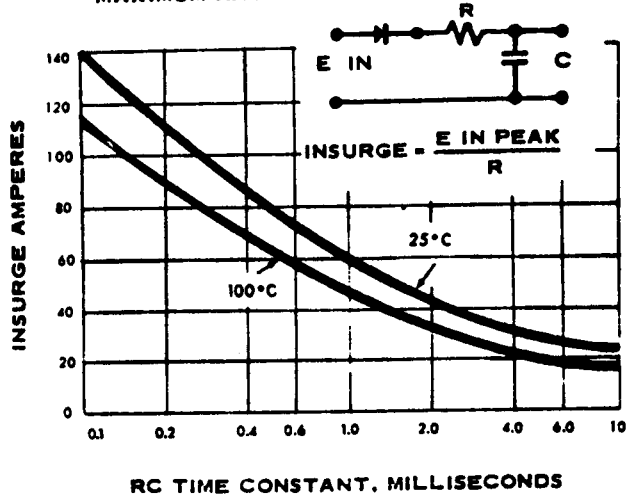
Type	Peak DC Output (1 sec max.)	Sine Wave RMS input Voltage Max.	Average DC Output Amps TC = (case temp.)			Average DC Output Amps TA = Ambient Temp. (No heat sink)		Peak 1 Cycle Forward Surge	Peak Recurrent Forward Surge	VF Max. per leg @ 2ADC	Reverse Current (IR Max. per leg. @ PIV)	
			55°C	100°C	125°C	55°C	100°C				25°C	25°C
	VOLTS	VOLTS	AMPS	AMPS	AMPS	AMPS	AMPS	AMPS	AMPS	VOLTS	UA	UA
SDA 138 A	50	35	5	3	2	1.5	1	100	30	1.1	2	50
SDA 138 B	100	70	5	3	2	1.5	1	100	30	1.1	2	50
SDA 138 C	200	140	5	3	2	1.5	1	100	30	1.1	2	50
SDA 138 D	400	280	5	3	2	1.5	1	100	30	1.1	2	50
SDA 138 E	600	420	5	3	2	1.5	1	100	30	1.1	2	50
SDA 138 F	800	560	5	3	2	1.5	1	100	30	1.1	2	50
SDA 138 G	1000	700	5	3	2	1.5	1	100	30	1.1	2	50

SSDI SOLID STATE DEVICES, INC.

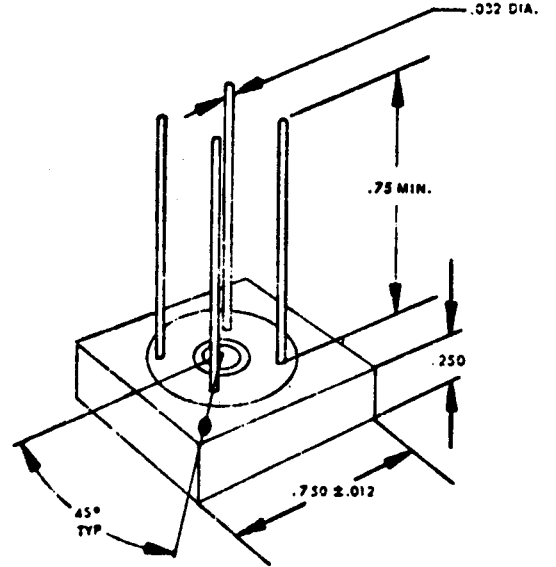
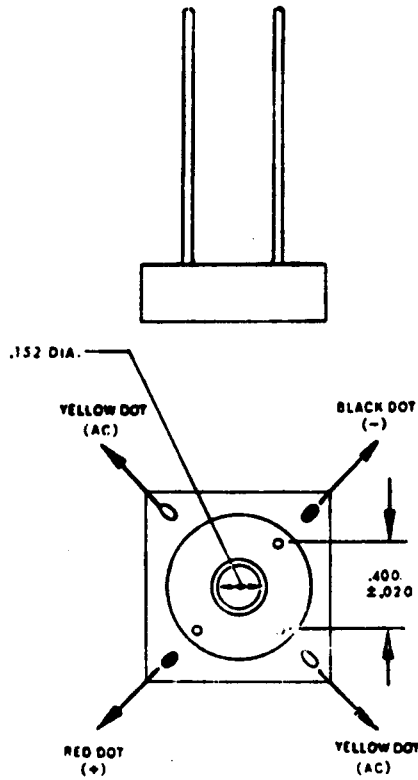
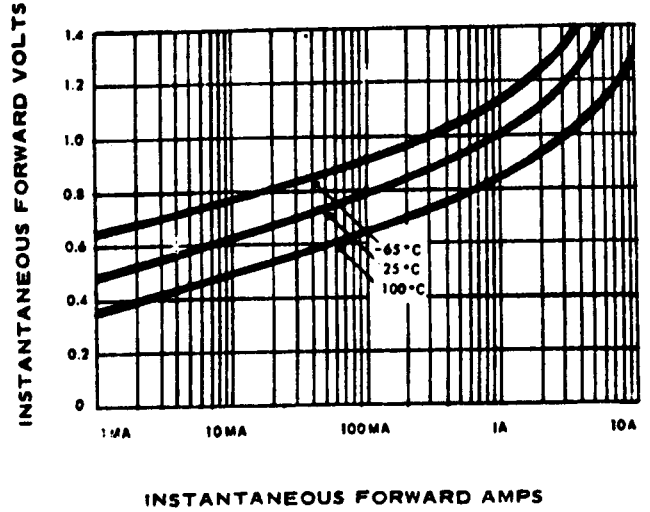
P.O. Box 577, La Mirada, California 90637-0577 TWX 910-583-4807
 14830 Valley View Avenue, La Mirada, California 90638 (213) 921-9660

6/84

MAXIMUM RATINGS FOR CAPACITY LOADS



TYPICAL DYNAMIC FORWARD CHARACTERISTICS AT VARIOUS JUNCTION TEMPERATURES PER LEG



TOLERANCE XX ±.03
 XXX ±.020
 FRACTIONAL = NOMINAL DIMENSION

SSDI SOLID STATE DEVICES, INC.

P.O. Box 577 La Mirada, California 90637-0577
 14830 Valley View Avenue. La Mirada, California 90638
 (213) 921-9660 TWX 910-583-4807