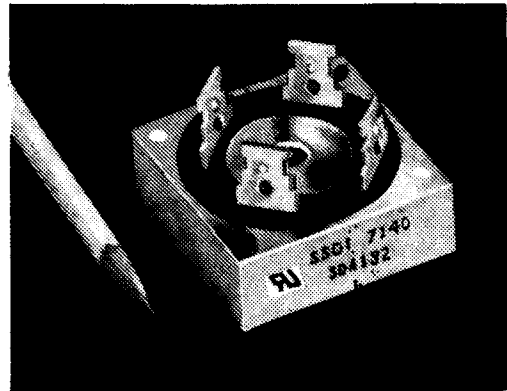


X00090

50 amp bridge rectifier assembly



- UNDERWRITERS LABORATORY RECOGNIZED
- AVERAGE OUTPUT CURRENT 50 AMPS
- PIV 50 TO 1000 VOLTS
- MAX THERMAL RESISTANCE .5° C/WATT
- ALL WELDED INTERCONNECTS
- HERMETICALLY SEALED DIODE CELLS
- ALL MACHINED ALUMINUM CASE
- UNIVERSAL 2 WAY SOLDER TERMINALS



SSDI introduces a new and complete line of Single Phase, Rectifier Bridge Assemblies. Designed in machined aluminum cases to provide maximum thermal conductivity and simple installation. Universal 2 way solder terminals provide the designer a choice of wire wrap or soldering hole. This series features SSDI's exclusive glass passivated rectifier cells and welded interconnects for high reliability and mechanical strength. Fast recovery bridges are available on special order. Consult your factory representative for engineering assistance.

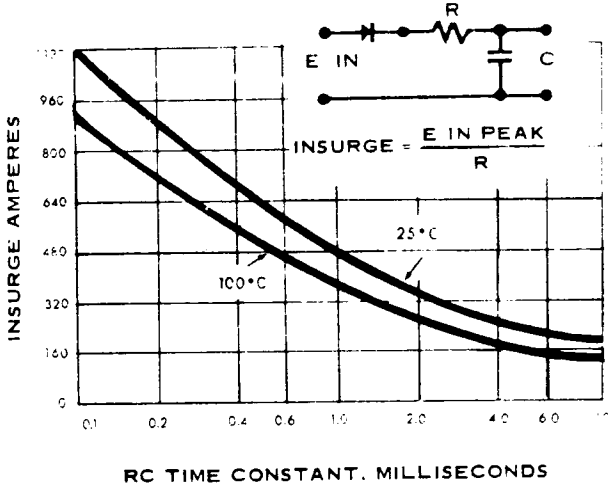
Type	PIV per leg	Sine Wave RMS input Voltage Max.	Average DC Output Amps TC = (case temp.)			Peak 1 Cycle Forward Surge	Peak Recurrent Forward	VF Max. per leg @ 25A DC	Reverse Current (I _r Max. per leg. @ PIV)	
			55 °C	100 °C	125 °C				25 °C	100 °C
			VOLTS	VOLTS	AMPS				AMPS	AMPS
SDA 132 A	50	35	50	33	16	400	200	1.1	5	100
SDA 132 B	100	70	50	33	16	400	200	1.1	5	100
SDA 132 C	200	140	50	33	16	400	200	1.1	5	100
SDA 132 D	400	280	50	33	16	400	200	1.1	5	100
SDA 132 E	600	420	50	33	16	400	200	1.1	5	100
SDA 132 F	800	560	50	33	16	400	200	1.1	5	100
SDA 132 G	1000	700	50	33	16	400	200	1.1	5	100



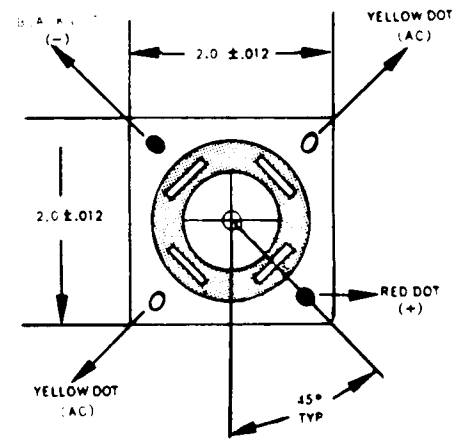
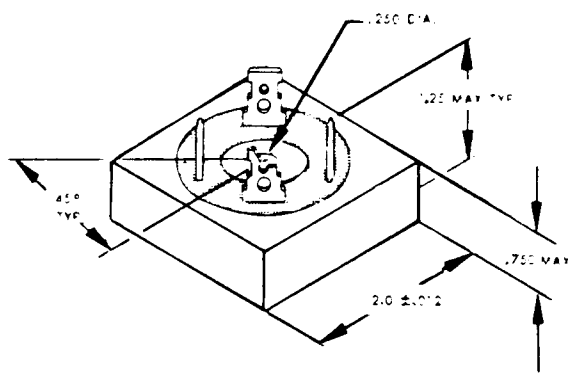
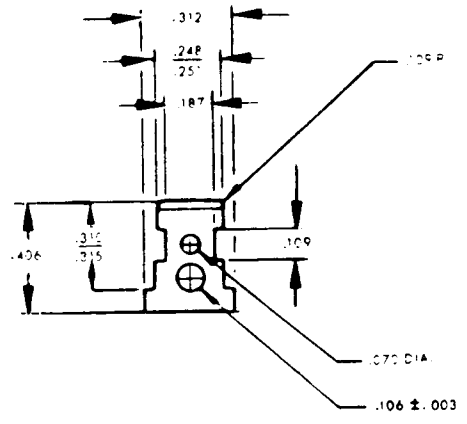
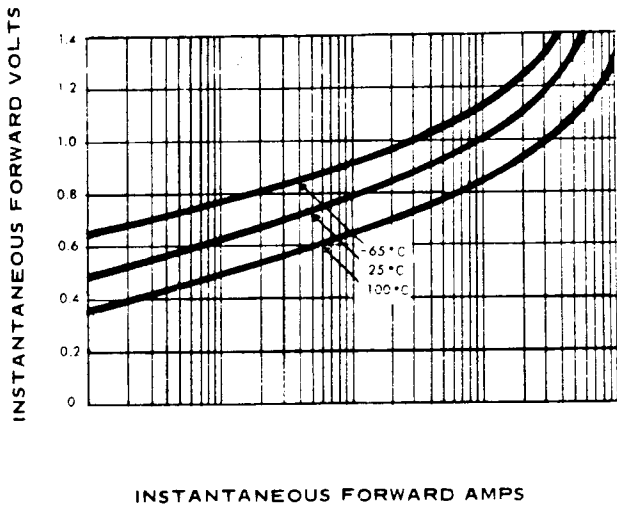
SSDI

application notes

MAXIMUM RATINGS FOR CAPACITY LOADS



TYPICAL DYNAMIC FORWARD CHARACTERISTICS AT VARIOUS JUNCTION TEMPERATURES PER LEG



TOLERANCE XX ± .03
 XXX ± .020
 FRACTIONAL = NOMINAL DIMENSION

SSDI

SOLID STATE DEVICES, INC.

P.O. Box 577, La Mirada, California 90637

Telephone: (213) 921-9660 • TWX 910-583-4807 • FAX#213-921-2396