

Model name

PSS 3 - 12 - 5

Series name Output power Input voltage Output voltage

Features

- RoHS Compatible Design (5th Generation Concept)
- Suitable for computer, telecommunication, FA control, Amusement application
- Wide operating temperature (-40 to 85degC with derating)
- Long Life design: Employ only ceramic capacitor.
- SMD type Is coming soon.

Safety standard

UL60950-1, CSA60950-1 EN60950-1

PSS1R5 (1.5W type) Specifications

Model	PSS1R5-5-3R3	PSS1R5-5-5	PSS1R5-5-12	PSS1R5-12-3R3	PSS1R5-12-5	PSS1R5-12-12	PSS1R5-24-3R3	PSS1R5-24-5	PSS1R5-24-12	PSS1R5-48-3R3	PSS1R5-48-5	PSS1R5-48-12	
Input Voltage	5VDC (4.5 ~ 9V)			12VDC (9 ~ 18V)			24VDC (18 ~ 36V)			48VDC(36 ~ 76V)			
Output Voltage	VDC	3.3	5	12 (15)	3.3	5	12 (15)	3.3	5	12 (15)	3.3	5	12 (15)
Output Current	A	0.4	0.3	0.13 (0.1)	0.4	0.3	0.13 (0.1)	0.4	0.3	0.13 (0.1)	0.4	0.3	0.13 (0.1)
Output Power (max)	W	1.32	1.5	1.56	1.32	1.5	1.56	1.32	1.5	1.56	1.32	1.5	1.56
Size (W x H x D)	mm	20.0 x 8.0 x 16.0											

PSS3 (3W type) Specifications

Model	PSS3-5-3R3	PSS3-5-5	PSS3-5-12	PSS3-12-3R3	PSS3-12-5	PSS3-12-12	PSS3-24-3R3	PSS3-24-5	PSS3-24-12	PSS3-48-3R3	PSS3-48-5	PSS3-48-12	
Input Voltage	5VDC (4.5 ~ 9V)			12VDC (9 ~ 18V)			24VDC (18 ~ 36V)			48VDC(36 ~ 76V)			
Output Voltage	VDC	3.3	5	12 (15)	3.3	5	12 (15)	3.3	5	12 (15)	3.3	5	12 (15)
Output Current	A	0.6	0.6	0.25 (0.2)	0.6	0.6	0.25 (0.2)	0.6	0.6	0.25 (0.2)	0.6	0.6	0.25 (0.2)
Output Power (max)	W	1.98	3.0	3.0	1.98	3.0	3.0	1.98	3.0	3.0	1.98	3.0	3.0
Size (W x H x D)	mm	26.0 x 8.0 x 16.0											

PSS6 (6W type) Specifications

Model	PSS6-5-3R3	PSS6-5-5	PSS6-5-12	PSS6-12-3R3	PSS6-12-5	PSS6-12-12	PSS6-24-3R3	PSS6-24-5	PSS6-24-12	PSS6-48-3R3	PSS6-48-5	PSS6-48-12	
Input Voltage	5VDC (4.5 ~ 9V)			12VDC (9 ~ 18V)			24VDC (18 ~ 36V)			48VDC(36 ~ 76V)			
Output Voltage	VDC	3.3	5	12 (15)	3.3	5	12 (15)	3.3	5	12 (15)	3.3	5	12 (15)
Output Current	A	1.2	1.0	0.5 (0.4)	1.5	1.2	0.5 (0.4)	1.5	1.2	0.5 (0.4)	1.5	1.2	0.5 (0.4)
Output Power (max)	W	3.96	5.0	6.0	4.95	6.0	6.0	4.95	6.0	6.0	4.95	6.0	6.0
Size (W x H x D)	mm	28.5 x 8.0 x 20.5											

PSS10 (10W type) Specifications

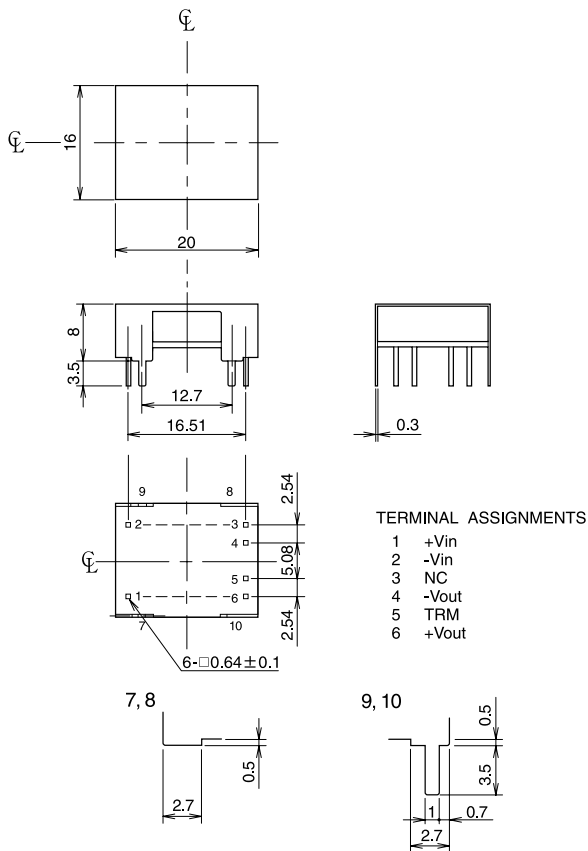
Model	PSS10-5-3R3	PSS10-5-5	PSS10-5-12	PSS10-12-3R3	PSS10-12-5	PSS10-12-12	PSS10-24-3R3	PSS10-24-5	PSS10-24-12	PSS10-48-3R3	PSS10-48-5	PSS10-48-12	
Input Voltage	5VDC (4.5 ~ 9V)			12VDC (9 ~ 18V)			24VDC (18 ~ 36V)			48VDC(36 ~ 76V)			
Output Voltage	VDC	3.3	5	12 (15)	3.3	5	12 (15)	3.3	5	12 (15)	3.3	5	12 (15)
Output Current	A	2.5	1.6	0.8 (0.64)	2.5	2.0	1.0 (0.8)	2.5	2.0	1.0 (0.8)	2.5	2.0	1.0 (0.8)
Output Power (max)	W	8.25	8.0	9.6	8.25	10.0	12.0	8.25	10.0	12.0	8.25	10.0	12.0
Size (W x H x D)	mm	40.5 x 8.0 x 22.0											

Common specifications

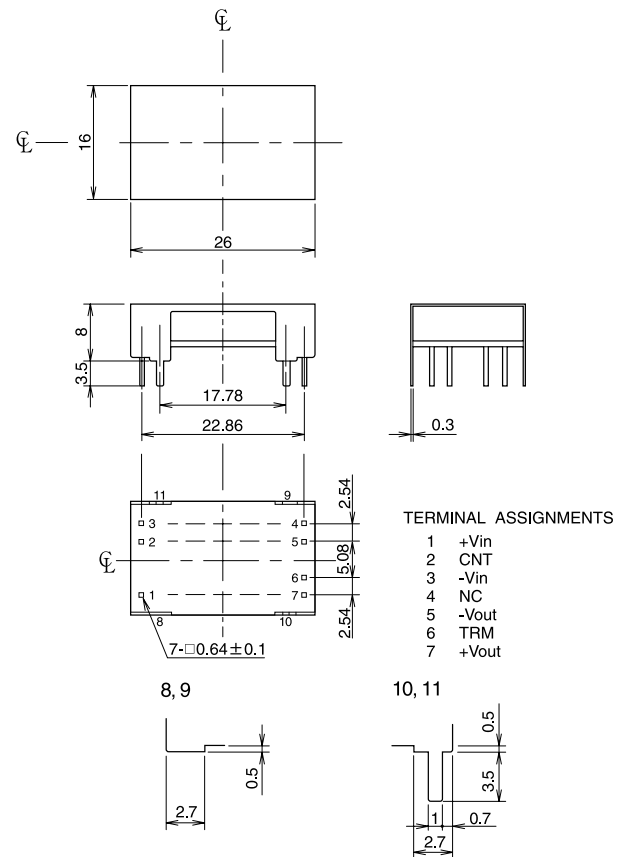
Withstand Voltage	Input - Output, Input - Case: 500VAC for 1 min (20mA)
Cooling	Convection cooling / Forced air cooling
Operating Temperature	-40°C ~ +85°C with derating
Over Current Protection	Yes. Constant current limiting with automatic recovery.

Outline drawing

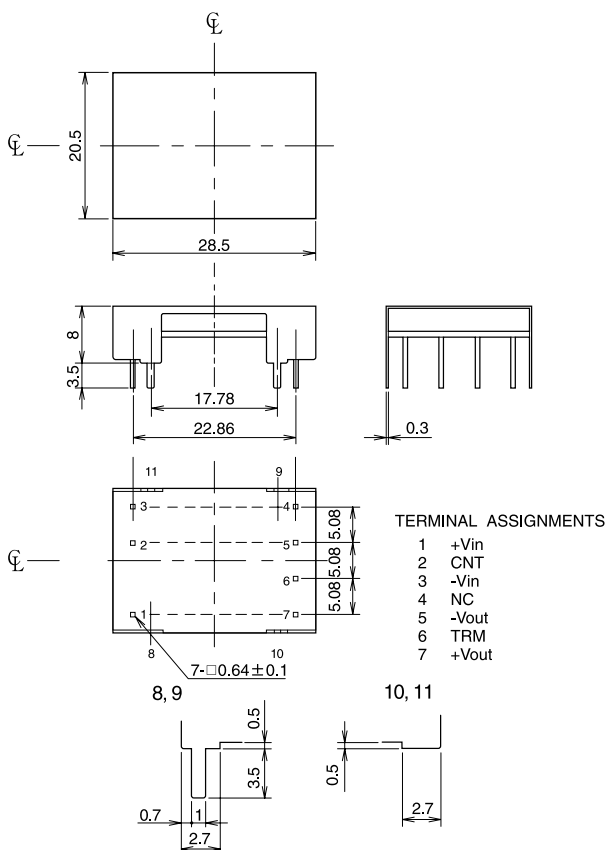
• PSS1R5 (1.5W type)



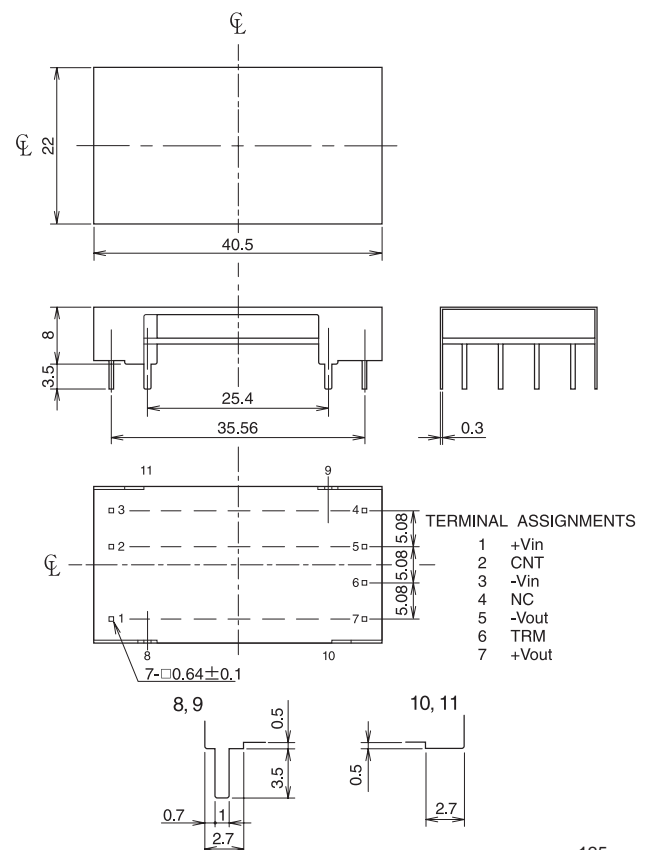
• PSS3 (3W type)



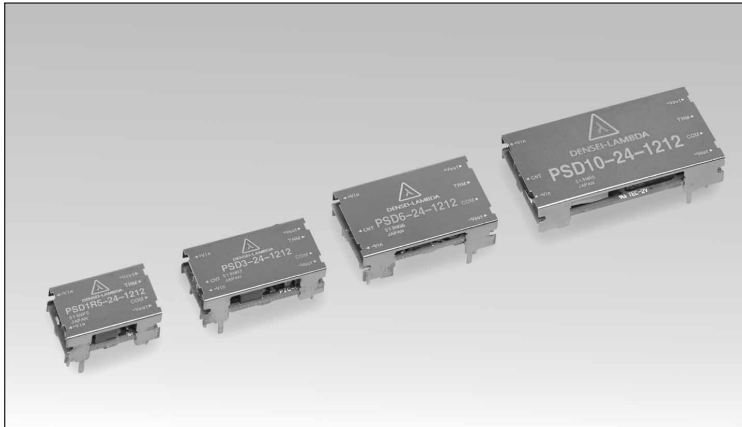
• PSS6 (6W type)



• PSS10 (10W type)



DC-DC Converter



Model name

PSD 3 - 5 - 1212

Series name Output power Input voltage Output voltage

Features

- RoHS Compatible Design (5th Generation Concept)
- Suitable for computer, telecommunication, FA control, Amusement application
- Wide operating temperature (-40 to 85degC with derating)
- Long Life design: Employ only ceramic capacitor.
- SMT type is coming soon.

Safety standard

UL60950-1, CSA60950-1 EN60950-1

PSD1R5 (1.5W type) Specifications

Model		PSD1R5-5-1212		PSD1R5-12-1212		PSD1R5-24-1212		PSD1R5-48-1212	
Input Voltage	VDC	5VDC(4.5-9.0V)		12VDC(9-18V)		24VDC(18-36V)		48VDC(36-76V)	
Output Voltage	VDC	± 12V	± 15V	± 12V	± 15V	± 12V	± 15V	± 12V	± 15V
Output Current	mA	± 65	± 52	± 65	± 52	± 65	± 52	± 65	± 52
Output Power	W	1.56	1.56	1.56	1.56	1.56	1.56	1.56	1.56

PSD3 (3W type) Specifications

Model		PSD3-5-1212		PSD3-12-1212		PSD3-24-1212		PSD3-48-1212	
Input Voltage	VDC	5VDC(4.5-9.0V)		12VDC(9-18V)		24VDC(18-36V)		48VDC(36-76V)	
Output Voltage	VDC	± 12V	± 15V	± 12V	± 15V	± 12V	± 15V	± 12V	± 15V
Output Current	mA	± 130	± 104	± 130	± 104	± 130	± 104	± 130	± 104
Output Power	W	3.12	3.12	3.12	3.12	3.12	3.12	3.12	3.12

PSD6 (6W type) Specifications

Model		PSD6-5-1212		PSD6-12-1212		PSD6-24-1212		PSD6-48-1212	
Input Voltage	VDC	5VDC(4.5-9.0V)		12VDC(9-18V)		24VDC(18-36V)		48VDC(36-76V)	
Output Voltage	VDC	± 12V	± 15V	± 12V	± 15V	± 12V	± 15V	± 12V	± 15V
Output Current	mA	± 250	± 200	± 250	± 200	± 250	± 200	± 250	± 200
Output Power	W	6.0	6.0	6.0	6.0	6.0	6.0	6.0	6.0

PSD10 (10W type) Specifications

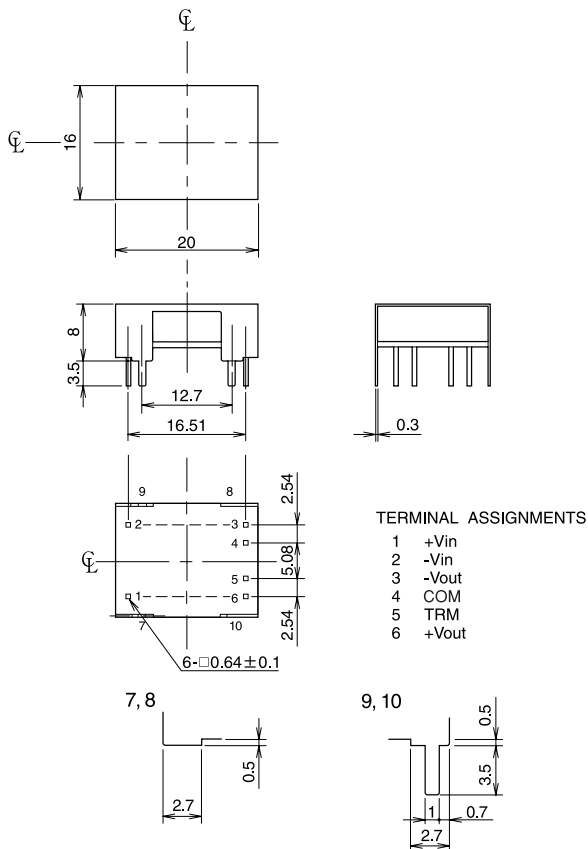
Model		PSD10-5-1212		PSD10-12-1212		PSD10-24-1212		PSD10-48-1212	
Input Voltage	VDC	5VDC(4.5-9.0V)		12VDC(9-18V)		24VDC(18-36V)		48VDC(36-76V)	
Output Voltage	VDC	± 12V	± 15V	± 12V	± 15V	± 12V	± 15V	± 12V	± 15V
Output Current	mA	± 350	± 280	± 500	± 400	± 500	± 400	± 500	± 400
Output Power	W	8.4	8.4	12.0	12.0	12.0	12.0	12.0	12.0

Common specifications

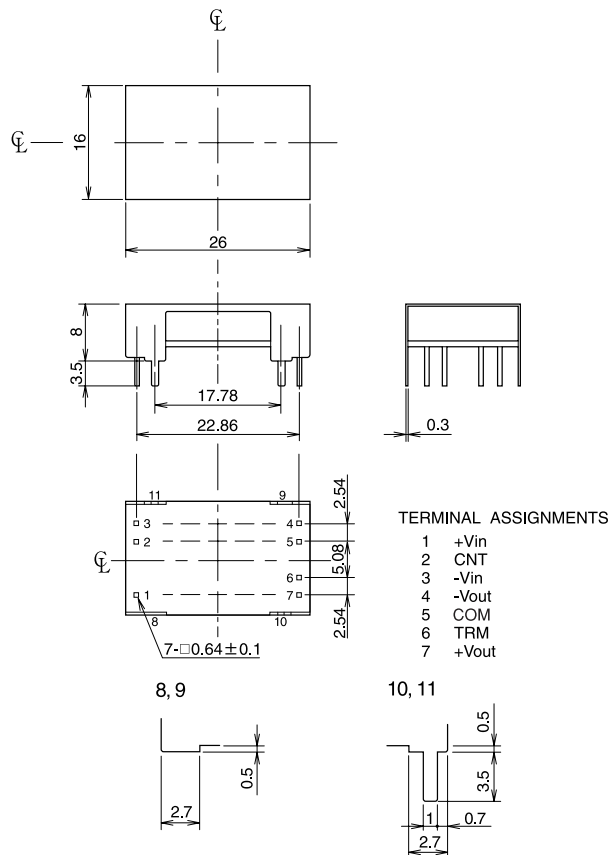
Withstand Voltage	Input-Output, Input-case : 500VAC for 1 min (20mA)
Cooling	Convection Cooling / Forced air cooling
Operating Temperature	-40°C ~ +85°C with derating
Over Current Protection	Yes. Constant current limiting with automatic recovery.

Outline drawing

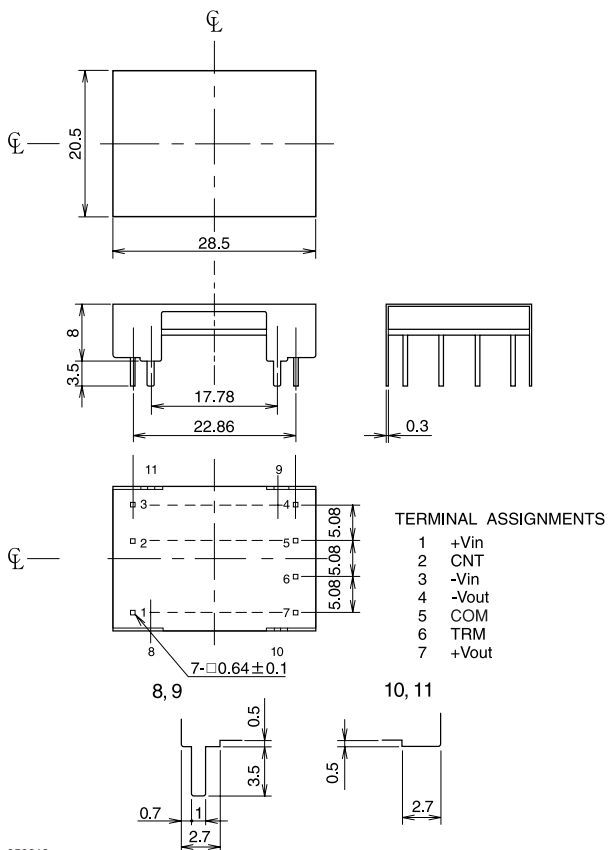
• PSD1R5 (1.5W type)



• PSD3 (3W type)



• PSD6 (6W type)



• PSD10 (10W type)

